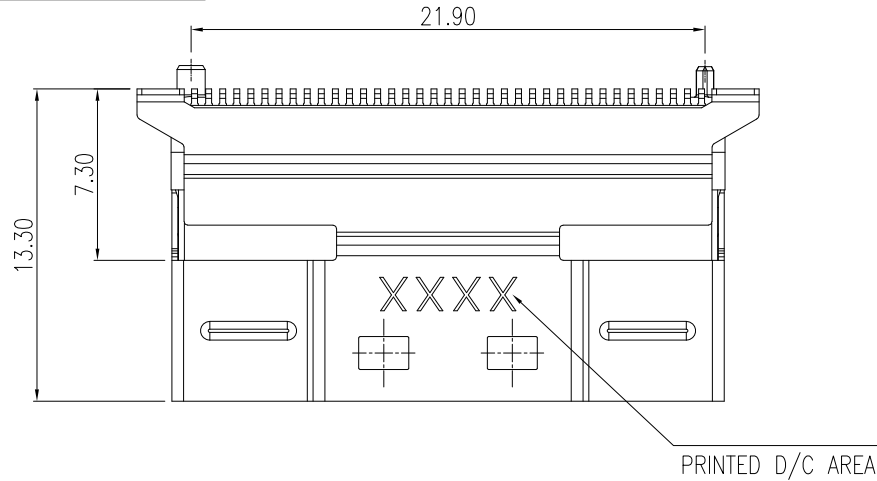


PROPRIETARY INFORMATION
COMPANY CONFIDENTIAL

REV.	ECN. NO.	DESCRIPTION	ENG	DATE
X1		INITIAL	Joy	06/08/21
X2		ADD PART NUMBER	Joy	08/05/21
X3		UPDATE NOTE	Joy	09/10/21



NOTES

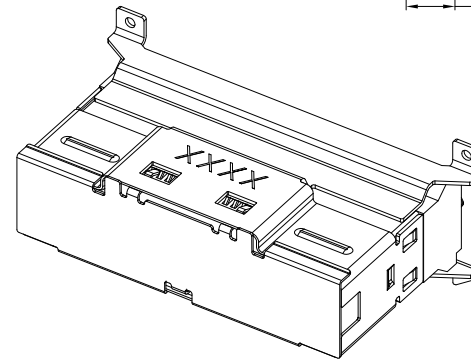
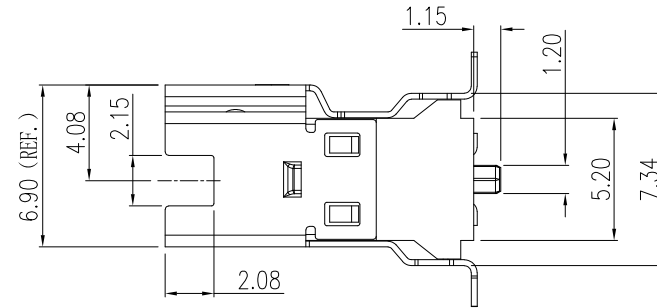
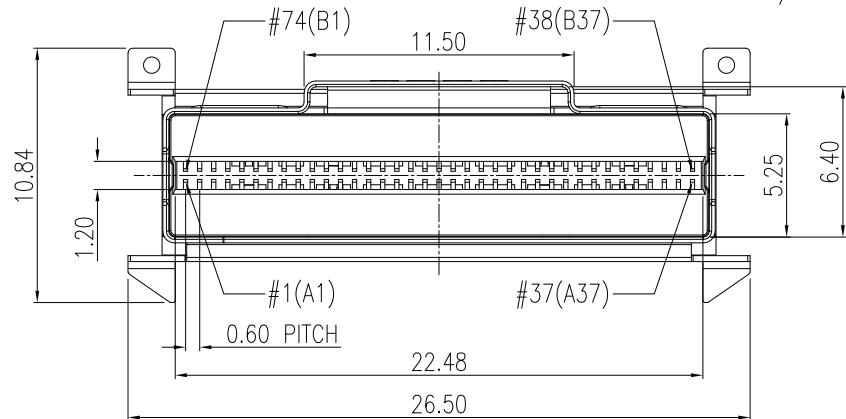
MATERIAL:

1. HOUSING: SOLDER REFLOW PROCESS COMPATIBLE LCP, BLACK, UL94V-0

CONTACTS: HIGH PERFORMANCE COPPER ALLOY

SHLL: SUS

2. RoHS COMPLIANT

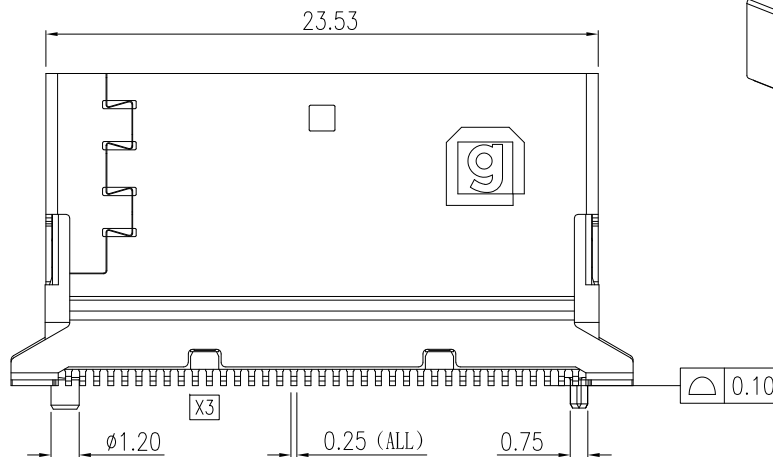


PART NUMBER

230-10089-XX

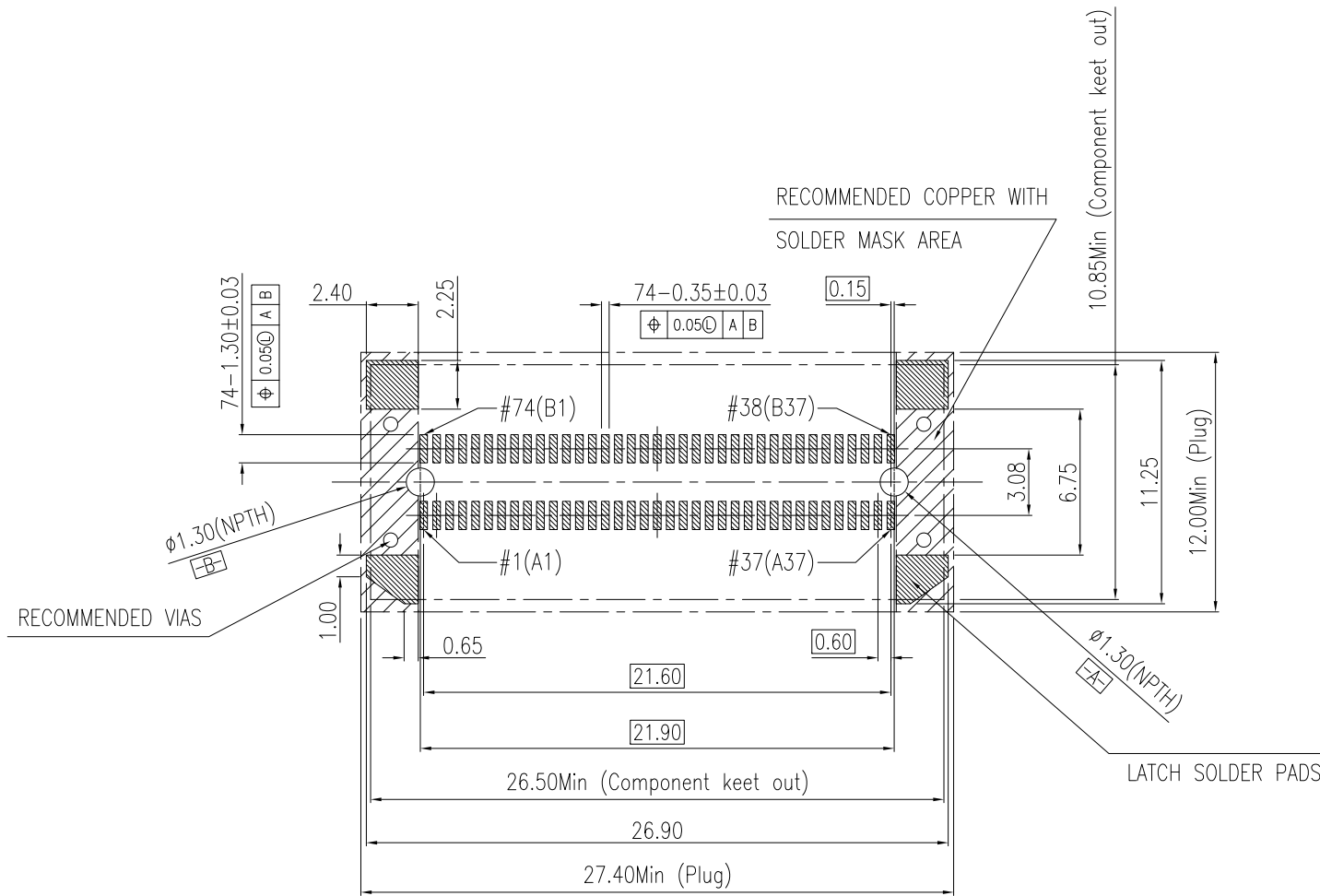
01: GOLD 15u"

02: GOLD 30u"



GENERAL TOLERANCE X.± .X±0.40 .XX±0.30 .XXX±0.20	ANGLE TOLERANCE X°± .X°± .XX°± .XXX°±	DRAWN Joy	DATE 06/08/21		TITLE. SLIMSAS 8i VERTICAL 85ohm SMT , RECEPTACLE
MATL SEE BOM	FINISH SEE NOTES	CHECKED	DATE		PART NUMBER. 230-10089-XX
SCALE N/A	UNIT mm	APPROVED	DATE	DRAWING NO. 230-10089	SIZE A4 REV. X3
SHEET 1 OF 2					

PROPRIETARY INFORMATION
 COMPANY CONFIDENTIAL



Recommended P.C.B Layout
 TOP View
 P.C.B Tolerances: $\pm 0.05\text{mm}$

GENERAL TOLERANCE	ANGLE TOLERANCE	DRAWN	DATE	
X.±	X°±	Joy	06/08/21	
.X±0.40	.X°±	DESIGN	DATE	TITLE. SLIMAS 8i VERTICAL 85ohm SMT , RECEPTACLE
.XX±0.30	.XX°±	CHECKED	DATE	PART NUMBER.
.XXX±0.20	.XXX°±	APPROVED	DATE	230-10089-XX
MATL	SEE BOM	SHEET 2 OF 2	UNIT mm	DRAWING NO.
FINISH	SEE NOTES			230-10089
SCALE	N/A			SIZE A4
				REV. X3