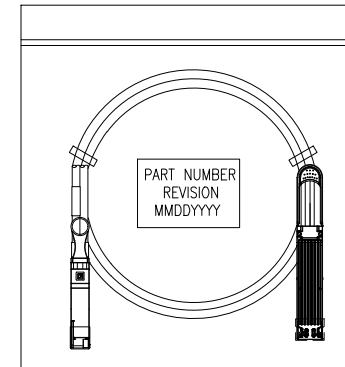


TABLE A		
PART NUMBER	xx AWG	DIM. L
320-10693-01	30	1000±10
320-10693-02	30	2000±20
320-10693-03	28	3000±30

PACKAGING




ITEM	NAME	Q'TY	DESCRIPTION
4	LABEL	2	BLACK INK, CABLE LABEL
3	OSFP PLUG ASSEMBLY	1	OSFP, PULL TAB COLOR: BLACK
2	QSFP-DD PLUG ASSEMBLY	1	QSFP-DD, PULL TAB COLOR: BLACK
1	RAW CABLE	A/R	8PAIRS, BLACK, ROHS, SEE TABLE A

GENERAL TOLERANCE X.± .X±0.20 .XX±0.10 .XXX±0.05	ANGLE TOLERANCE X°± .X°± .XX°± .XXX°±	DRAWN Zakk	DATE 2/23/2024		TITLE: OSFP NON RHS 800G-QSFP-DD ACTIVE DAC, 112G, 800G
MATERIAL		DESIGN	DATE		CHECKED
FINISH		APPROVED		DATE	PART NUMBER: 320-10693-XX
SCALE N/A	UNIT mm	SHEET 1 OF 2		DRAWING NO. 320-10693	SIZE A4 REV. X1

WIRING TABLE


J1		J2		J1		J2	
TX2+	2	22	RX2+	3	TX2+		
TX2-	3	21	RX2-	2	TX2-		
TX4+	5	25	RX4+	6	TX4+		
TX4-	6	24	RX4-	5	TX4-		
TX6+	8	60	RX6+	41	TX6+		
TX6-	9	59	RX6-	40	TX6-		
TX8+	11	63	RX8+	44	TX8+		
TX8-	12	62	RX8-	43	TX8-		
RX7-	19	72	TX7-	53	RX7-		
RX7+	20	71	TX7+	52	RX7+		
RX5-	22	75	TX5-	56	RX5-		
RX5+	23	74	TX5+	55	RX5+		
RX3-	25	34	TX3-	15	RX3-		
RX3+	26	33	TX3+	14	RX3+		
RX1-	28	37	TX1-	18	RX1-		
RX1+	29	36	TX1+	17	RX1+		

CABLE LABEL



OSFP NON RHS 800G - QSFP-DD ACTIVE  
**DAC 800G xx AWG XM**

PN: 320-10693-XX REV XX



S/N: XXXXXXxxxx

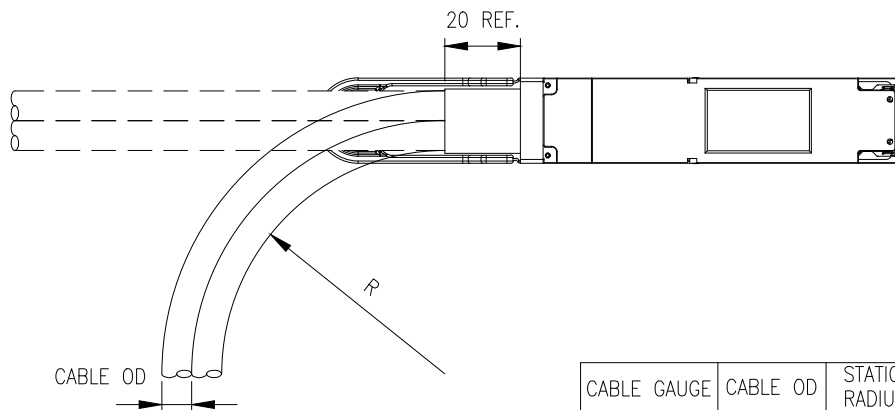
S/N: YMMDDLnnnn

LENGTH IN METERS


WIRE GAUGE  
PN AND REV

128code  
XXXXXXXXxxxx

SERIAL NUMBER



CABLE GAUGE	CABLE OD	STATIC BEND RADIUS "R"	DYNAMIC BEND RADIUS "R"
30AWG	6.7mm	33.5mm	67mm
28AWG	7.9mm	39.5mm	79mm

GENERAL TOLERANCE X.± .X±0.20 .XX±0.10 .XXX±0.05	ANGLE TOLERANCE X°± .X°± .XX°± .XXX°±	DRAWN Zakk	DATE 2/23/2024	 <b>genesis</b> connected solutions
MATERIAL FINISH		CHECKED	DATE	
SCALE N/A		APPROVED		PART NUMBER: 320-10693-XX
SHEET 2 OF 2		DATE		DRAWING NO. 320-10693
				SIZE A4 REV. X1