

15	CABLE LABEL(线标)	BLANK WHITE LABEL, 40*10	2
14	CONN. LABEL(壳标)	BACK SHELL LABEL, 29.5*9.6mm	3
13	DUST COVER(防尘盖)	LDPE, NATURAL	3
12	HEAT SHRINKABLE TUBE(热缩套管)	HEAT SHRINK TUBING	A/R
11	INNER MOLD(内模)	HOT-MELT GLUE	A/R
10	BRASS BUCKLE(铜扣)	BRASS, PLATED Ni	3
9	COPPER RING(铜环)	COPPER, PLATED Ni	3
8	RIVET(铆钉)	ALUMINIUM ALLOY	6
7	SPRING(弹簧)	HANDED ROTATION, SWPB	6
6	PULL TAB(拉带)	PA66 S1300, SKY BLUE	3
5	LATCH(挂钩)	STAINLESS STEEL	3
4	BOTTOM SHELL(下壳)	Zn ALLOY, PLATED Ni OVER Cu	3
3	TOP SHELL(上壳)	Zn ALLOY, PLATED Ni OVER Cu	3
2	PCB ASSEMBLY(PCB 成品)	QSFP56 PCB, 38P, Au 30u"Min	3
1	RAW CABLE(线材)	30/26AWG, 8PAIRS, BLACK, ROHS2.0, SEE TABLE A	A/R
ITEM	NAME	DESCRIPTION	Q'TY

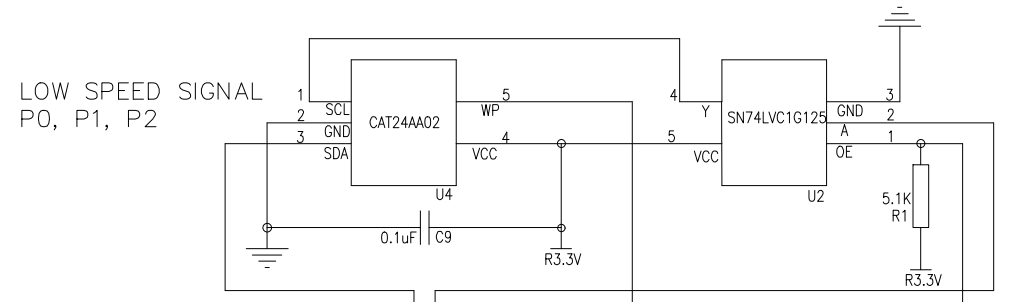
NOTE(注释):

1. CABLE ASSEMBLY IMPEDANCE: 100±10 ohm.
成品特性阻抗: 100±10 欧姆
2. 100% CONDUCTOR TEST, TEST CONDITION: VOLTAGE 5V, INSULATION RESISTANCE 10M ohm, CONDUCTION RESISTANCE MAX 3 ohm
100% 导通测试, 测试条件为电压5V, 绝缘10M欧姆, 导通电阻不大于3欧姆
3. HIGH-FREQUENCY TEST ACCORDING TO IEEE802.3 STANDARD.
高频测试依照IEEE802.3标准测试
4. ALL MATERIAL MUST COMPLY WITH ROHS2.0
所有物料必须符合ROHS2.0

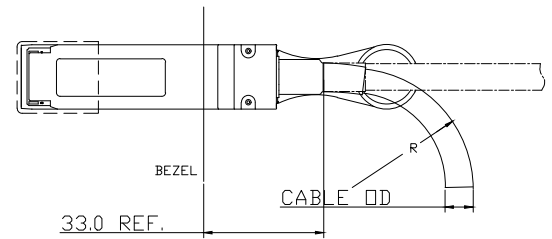
GENERAL TOLERANCE X± .X±0.40 .XX±0.30 .XXX±0.20	ANGLE TOLERANCE X°± .X°± .XX°± .XXX°±	DRAWN DATE WATTS 2/20/2024	
MATL	FINISH	DESIGN DATE	
SCALE N/A	UNIT mm	CHECKED DATE	PART NUMBER. 320-10690-XX
SHEET 1 OF 3		APPROVED DATE	DRAWING NO. 320-10690
			SIZE A4 REV. X1

WIRING TABLE

P0(QSFP112)		2*QSFP112 400G			
Signal	Pad	Pad	Signal		
TX1n	37	18	RX1n	P1	
TX1p	36	17	RX1p		
RX1p	17	36	TX1p		
RX1n	18	37	TX1n		
TX2n	02	21	RX2n	P2	
TX2p	03	22	RX2p		
RX2p	22	03	TX2p		
RX2n	21	02	TX2n		
TX3n	34	18	RX1n	P2	
TX3p	33	17	RX1p		
RX3p	14	36	TX1p		
RX3n	15	37	TX1n		
TX4n	05	21	RX2n	P2	
TX4p	06	22	RX2p		
RX4p	25	03	TX2p		
RX4n	24	02	TX2n		
GND GROUP 01/04/07/13/ 16/19/20/23/ 26/32/35/38		GND GROUP 01/04/07/13/ 16/19/20/23/ 26/32/35/38			
Connector Shell		Connector Shell			



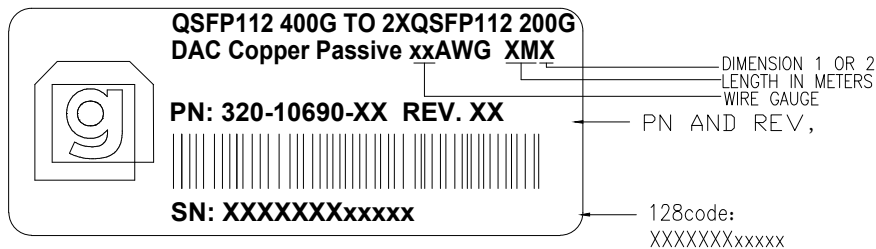
- 12 SDA
- 11 SCL
- 10 VCCR
- 9 RESET
- 8 MODSEIL
- 31 LPMODE
- 30 VCC1
- 29 VCCTX
- 28 INTL
- 27 MODPRSL



CABLE GAUGE	CABLE "OD"	STATIC BEND RADIUS "R"	DYNAMIC BEND RADIUS "R"
30AWG	6.1MM	30.5MM	61MM
26AWG	8.7MM	43.5MM	87MM

GENERAL TOLERANCE X ± 0.50 .X ± 0.20 .XX ± 0.10 .XXX ± 0.05	ANGLE TOLERANCE X° ± 5.0° .X° ± 3.0° .XX° ± 2.0° .XXX° ± 1.0°	DRAWN WATTS	DATE 2/20/2024	<p>TITLE: QSFP112 400G TO 2XQSFP112 200G, DAC</p> <p>PART NUMBER: 320-10690-XX</p> <p>DRAWING NO. 320-10690</p> <p>SIZE A4 REV. X1</p>
MATERIAL		CHECKED	DATE	
FINISH		APPROVED	DATE	
SCALE N/A	UNIT mm			
SHEET 2 OF 3				

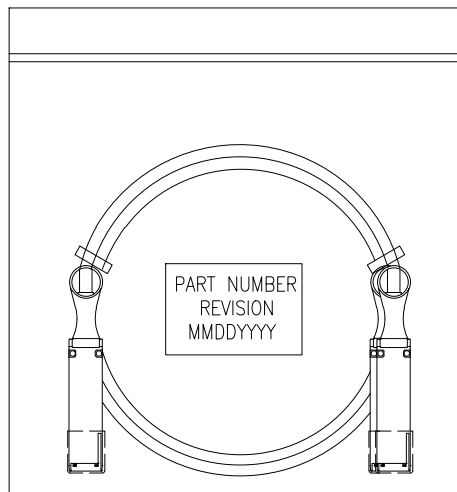
CONN. LABEL<壳标>:



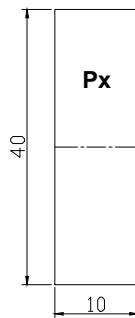
S/N: XXXXXXXXxxxxx

5位流水号
7位PO NO. 订单号

PACKAGING:



CABLE LABEL<线
标>:



Px: P0,P1,P2

TABLE A				
PART NUMBER	WIRE TYPE	xx AWG	XM1 LENGTH	XM2 LENGTH
320-10690-01	PVC	30	500±20	
320-10690-02	PVC	30	1000±30	
320-10690-03	PVC	30	2000±30	
320-10690-04	PVC	30	3000±40	
320-10690-05	PVC	26	4000±40	
320-10690-06	PVC	26	5000±50	
320-10690-07	LSZH	30	500±20	
320-10690-08	LSZH	30	1000±30	
320-10690-09	LSZH	30	2000±30	
320-10690-10	LSZH	30	3000±40	
320-10690-11	LSZH	26	4000±40	
320-10690-12	LSZH	26	5000±50	
320-10690-13	PVC	30		500±20
320-10690-14	PVC	30		1000±30
320-10690-15	PVC	30		2000±30
320-10690-16	PVC	30		3000±40
320-10690-17	PVC	26		4000±40
320-10690-18	PVC	26		5000±50
320-10690-19	LSZH	30		500±20
320-10690-20	LSZH	30		1000±30
320-10690-21	LSZH	30		2000±30
320-10690-22	LSZH	30		3000±40
320-10690-23	LSZH	26		4000±40
320-10690-24	LSZH	26		5000±50

GENERAL TOLERANCE X±0.50 .X±0.20 .XX±0.10 .XXX±0.05	ANGLE TOLERANCE X°±5.0° .X°±3.0° .XX°±2.0° .XXX°±1.0°	DRAWN DATE WATTS 2/20/2024	<p>genesis connected solutions</p>
MATL	FINISH	CHECKED DATE	
SCALE N/A	UNIT mm	APPROVED DATE	DRAWING NO. 320-10690-XX
SHEET 3 OF 3			SIZE A4 REV. X1