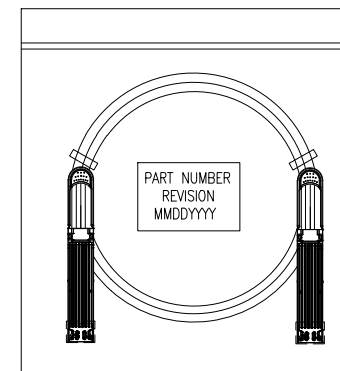


PART NUMBER	xx AWG	DIM. L
320-10689-01	30	1000±10
320-10689-02	30	2000±20
320-10689-03	28	3000±30

PACKAGING



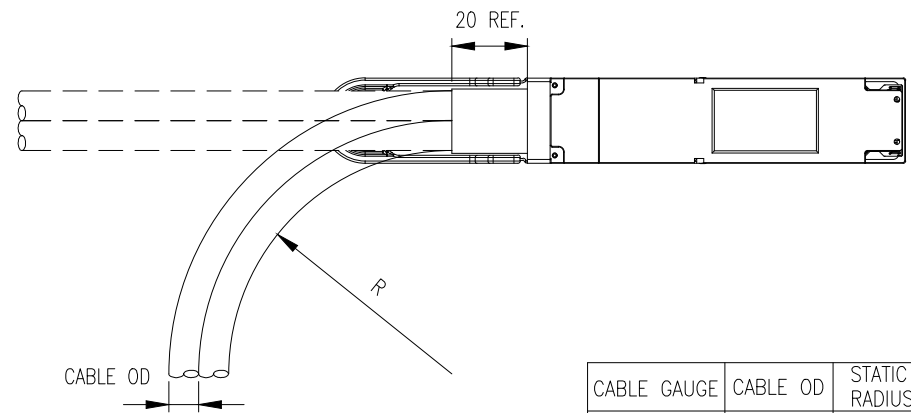
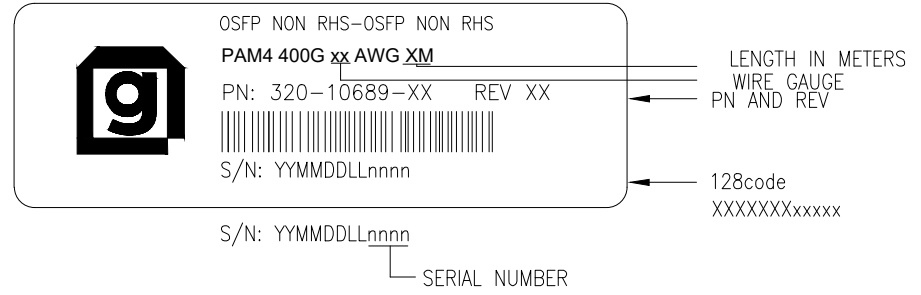
ITEM	NAME	Q'TY	DESCRIPTION
13	LABEL	1	BLACK INK, CABLE LABEL
12	DUST COVER	2	LDPE, NATURAL
11	INNER MOLD	A/R	LPMS
10	HEAT SHRINKABLE TUBE	A/R	BLACK
9	COPPER FOIL	A/R	6.4X0.05mm
8	SCREW	4	SUS304
7	SPRING	4	SWPB
6	PULL TAB	2	BLACK
5	LATCH	2	STAINLESS STEEL
4	BOTTOM SHELL	2	Zn ALLOY, PLATED Ni OVER Cu
3	TOP SHELL	2	Zn ALLOY, PLATED Ni OVER Cu
2	PCB ASSEMBLY	2	OSFP PCB, 60P, Au 30u"Min
1	RAW CABLE	A/R	8PAIRS, BLACK, ROHS, SEE TABLE A

GENERAL TOLERANCE X.± .X±0.20 .XX±0.10 .XXX±0.05	ANGLE TOLERANCE X°± .X°± .XX°± .XXX°±	DRAWN ZAKK	DATE 2/19/2024	
FINISH		DESIGN	DATE	
MATERIAL		CHECKED	DATE	PART NUMBER 320-10689-XX
SCALE N/A	UNIT mm	APPROVED	DATE	DRAWING NO. 320-10689
SHEET 1 OF 2				SIZE A4 REV. X1


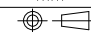
WIRING TABLE

J1		J2		J1		J2	
GND	1	31	GND	GND	31	1	GND
TX2+	2	32	RX2+	RX2+	32	2	TX2+
TX2-	3	33	RX2-	RX2-	33	3	TX2-
GND	4	34	GND	GND	34	4	GND
TX4+	5	35	RX4+	RX4+	35	5	TX4+
TX4-	6	36	RX4-	RX4-	36	6	TX4-
GND	7	37	GND	GND	37	7	GND
TX6+	8	38	RX6+	RX6+	38	8	TX6+
TX6-	9	39	RX6-	RX6-	39	9	TX6-
GND	10	40	GND	GND	40	10	GND
TX8+	11	41	RX8+	RX8+	41	11	TX8+
TX8-	12	42	RX8-	RX8-	42	12	TX8-
GND	13	43	GND	GND	43	13	GND
SCL	14	44	INT_L/RESET_L	INT_L/RESET_L	44	14	SCL
VCC	15	45	VCC	VCC	45	15	VCC
VCC	16	46	VCC	VCC	46	16	VCC
PRSNT_L	17	47	SDA	SDA	47	17	PRSNT_L
GND	18	48	GND	GND	48	18	GND
RX7-	19	49	TX7-	TX7-	49	19	RX7-
RX7+	20	50	TX7+	TX7+	50	20	RX7+
GND	21	51	GND	GND	51	21	GND
RX5-	22	52	TX5-	TX5-	52	22	RX5-
RX5+	23	53	TX5+	TX5+	53	23	RX5+
GND	24	54	GND	GND	54	24	GND
RX3-	25	55	TX3-	TX3-	55	25	RX3-
RX3+	26	56	TX3+	TX3+	56	26	RX3+
GND	27	57	GND	GND	57	27	GND
RX1-	28	58	TX1-	TX1-	58	28	RX1-
RX1+	29	59	TX1+	TX1+	59	29	RX1+
GND	30	60	GND	GND	60	30	GND

CABLE LABEL



CABLE GAUGE	CABLE OD	STATIC BEND RADIUS "R"	DYNAMIC BEND RADIUS "R"
30AWG	6.7mm	33.5mm	67mm
28AWG	7.9mm	39.5mm	79mm

GENERAL TOLERANCE X.± .X±0.20 .XX±0.10 .XXX±0.05	ANGLE TOLERANCE X°± .X°± .XX°± .XXX°±	DRAWN ZAKK	DATE 4/14/2023	 TITLE: OSFP NON RHS-OSFP NON RHS PAM4 400G
MATERIAL		CHECKED	DATE	
SCALE N/A	UNIT mm	APPROVED	DATE	DRAWING NO. 320-10689
SHEET 2 OF 2				SIZE A4 REV. X1