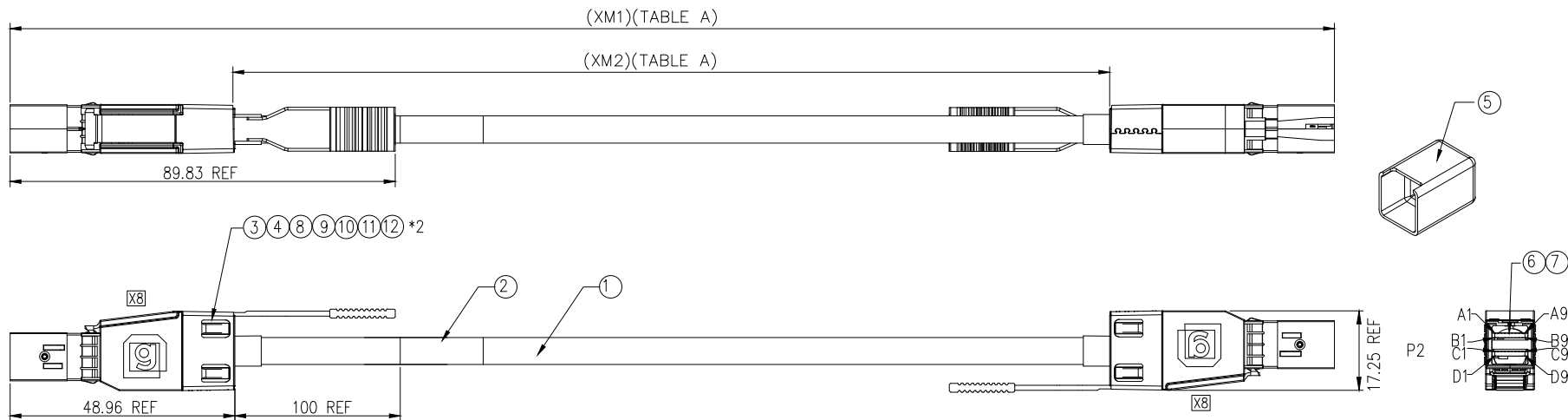


PROPRIETARY INFORMATION
COMPANY CONFIDENTIAL

REV.	ECN. NO.	DESCRIPTION	ENG	DATE
X1		INITIAL	KYLE	1/4/2019
X2		REMOVE LOGO, UPDATE LOW SPEED DIAGRAM	KYLE	3/4/2019
X3		add bom to pdm	KYLE	8/22/2019
X4		UPDATE BOM	KYLE	8/23/2019
X5		ADD P/N FOR 4M AND 5M AND CORRECT BOM AND ADD WIRE COLOR IN LOW SPEED CONTROL	AXL	10/10/2019
X6		MODIFY LABEL	KYLE	10/17/2019
X7		ADD PULL TAB COLOUR	SEASON	03/12/2020
X8		ADD G LOGO AND CORRECT LABEL TYPO.	AXL	3/1/2021



MATERIAL RoHS COMPLIANT:

- CABLE :
 CONDUCTOR: SOLID SILVER PLATED COPPER
 INSULATION: Skin-Foam-Skin
 DRAIN WIRE: TINNED COPPER
 PAIR SHIELD: HOT MELT ALUMINUM MYLAR
- LEFT /RIGHT SHELL: ZINC ALLOY NICKEL PLATED
- THIS PRODUCT CONFORMS TO THE MECHANICAL DIMENSIONING REQUIREMENTS OF SFF-8644
- STRUCTURE DIMENSION ACCORDING TO SFF-8644
- PROGRAM PER EEPROM CODE 777-10001-XX [X8]

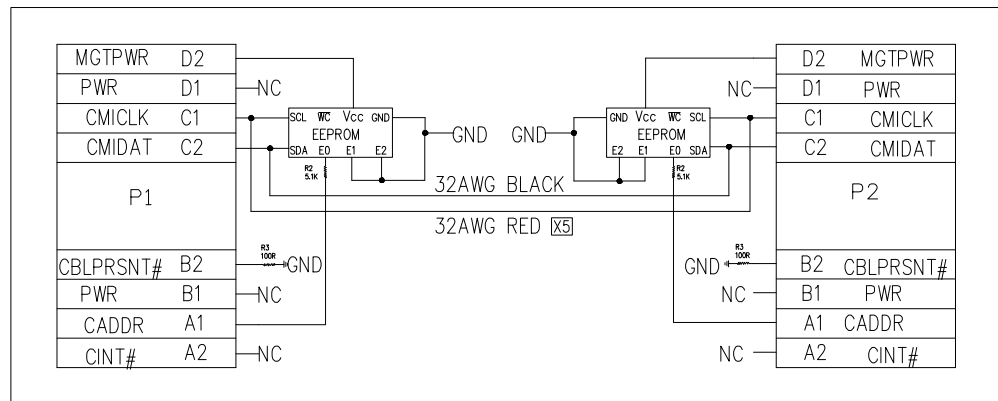
[X5]

ITEM	NAME	QTY	DESCRIPTION	NOTE
12	EEPROM	2	EEPROM, 2K, 24C02	
11	HEAT SHRINK TUBE	A/R	HEAT SHRINK TUBING	
10	EMI SPRING	4	EMI SPRING	
9	PULL TAB	2	PULL TAB, GREEN [X7]	
8	SHELL CLIP LATCH	2	CLIP FOR SFF-8614	
7	PCB	2	EXT MINISAS HD PCB A,B	
6	PCB	2	EXT MINISAS HD PCB C,D	
5	DUST COVER	2	DUST COVER, PE, NATURAL	
4	INNER MOLD	2	INNER MOLDING FOR EXT MINISAS HD	
3	SHELL	4	LEFT AND RIGHT, LOW PROFILE SHELL FOR SFF-8614	[X8]
2	LABEL	1	CABEL ID LABEL	
1	RAW CABLE	A/R	8PX28AWG+2CX32AWG, 100 Ohms CABLE, PVC	

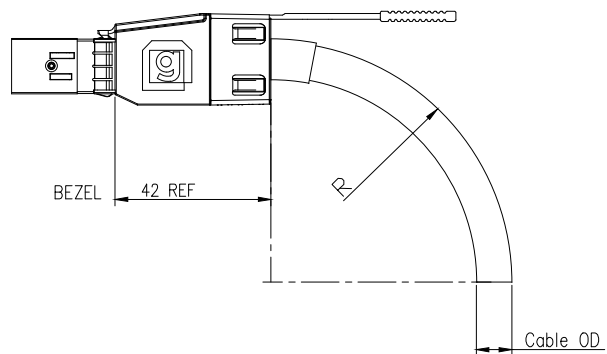
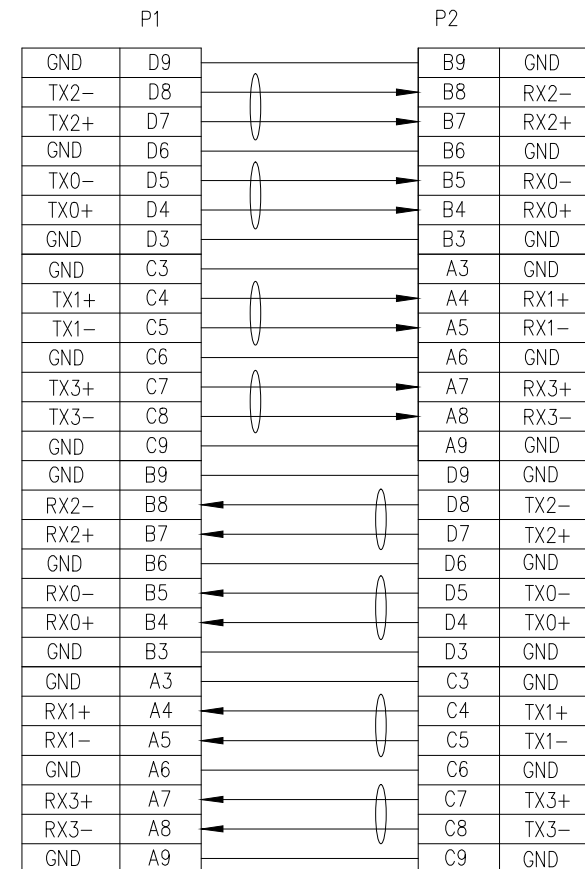
GENERAL TOLERANCE X.± 0.50 .X± 0.20 .XX± 0.10 .XXX± 0.05	ANGLE TOLERANCE X°± 5.0° .X°± 3.0° .XX°± 2.0° .XXX°± 1.0°	DRAWN DATE SEASON 03/12/2020		TITLE: EXT. MINISAS HD x4 ASSEMBLY, SAS3, 100 OHM WITH CMI, DUAL EEPROM, LOW PROFILE PLUG
MATERIAL SEE BOM		CHECKED DATE		PART NUMBER: 320-10270-XX
FINISH SEE NOTES		APPROVED DATE HILL 03/12/2020	DRAWING NO. 320-10270	SIZE A4 REV. X8

RoHS Compliant

LOW SPEED CONTROL



WIRING TABLE HIGH SPEED SIGNAL LANES

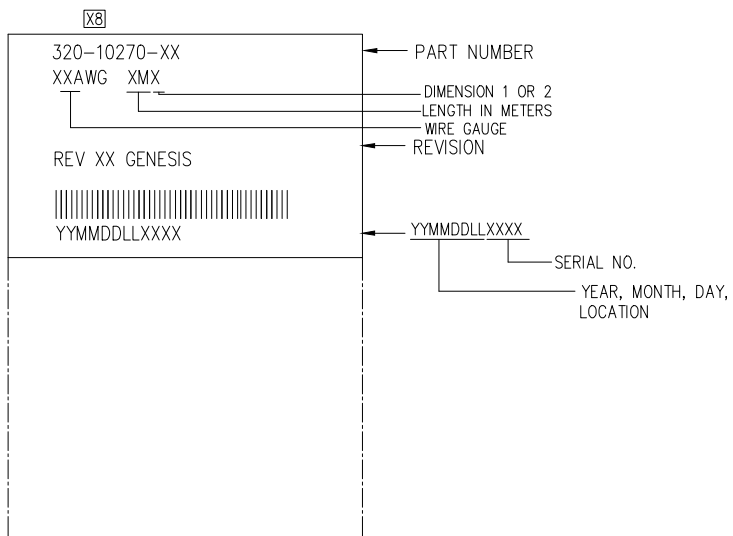


CABLE GAUGE	CABLE "OD"	STATIC BEND RADIUS"R"	DYNAMIC BEND RADIUS"R"
28AWG	7.4MM	37.0MM	74MM

RoHS Compliant

GENERAL TOLERANCE X.± 0.50 .X± 0.20 .XX± 0.10 .XXX± 0.05	ANGLE TOLERANCE X°± 5.0° .X°± 3.0° .XX°± 2.0° .XXX°± 1.0°	DRAWN SEASON 03/12/2020	DATE 03/12/2020	
MATERIAL SEE BOM		CHECKED	DATE	
FINISH SEE NOTES		APPROVED HILL 03/12/2020		PART NUMBER 320-10270-XX
SCALE N/A	UNIT mm	SHEET 2 OF 3		DRAWING NO. 320-10270
				SIZE A4
				REV. X8

LABEL INFORMATION



PACKAGING:

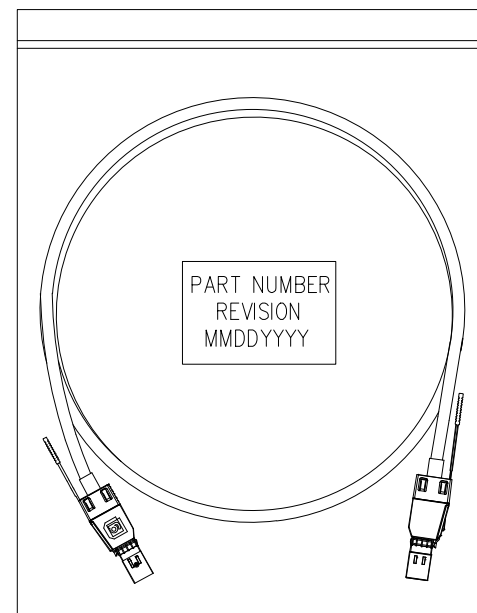


TABLE A

PART NUMBER	WIRE TYPE	xx AWG	XM1 LENGTH	XM2 LENGTH
320-10270-01	PVC	28	500±20	
320-10270-02	PVC	28	1000±30	
320-10270-03	PVC	28	2000±30	
320-10270-04	PVC	28	3000±40	
320-10270-05	PVC	28		500±20
320-10270-06	PVC	28		1000±30
320-10270-07	PVC	28		2000±30
320-10270-08	PVC	28		3000±40
^{X5} 320-10270-09	PVC	28	4000±40	
^{X5} 320-10270-10	PVC	28	5000±50	
^{X5} 320-10270-11	PVC	28		4000±40
^{X5} 320-10270-12	PVC	28		5000±50

RoHS Compliant

GENERAL TOLERANCE X.± 0.50 .X± 0.20 .XX± 0.10 .XXX± 0.05	ANGLE TOLERANCE X°± 5.0° .X°± 3.0° .XX°± 2.0° .XXX°± 1.0°	DRAWN SEASON 03/12/2020	DATE 03/12/2020		TITLE EXT. MINISAS HD x4 ASSEMBLY, SAS3, 100 OHM WITH CMI, DUAL EEPROM, LOW PROFILE PLUG
MATERIAL SEE BOM		CHECKED	DATE		PART NUMBER 320-10270-XX
FINISH SEE NOTES		APPROVED HILL 03/12/2020		DRAWING NO. 320-10270	SIZE A4
SCALE N/A	UNIT mm	SHEET 3 OF 3		REV. X8	