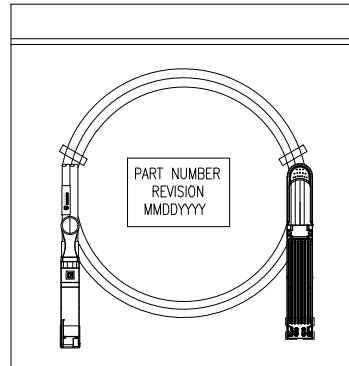


PART NUMBER	xx AWG	DIM. L
320-10631-01	30	1000±10
320-10631-02	30	2000±20
320-10631-03	28	3000±30

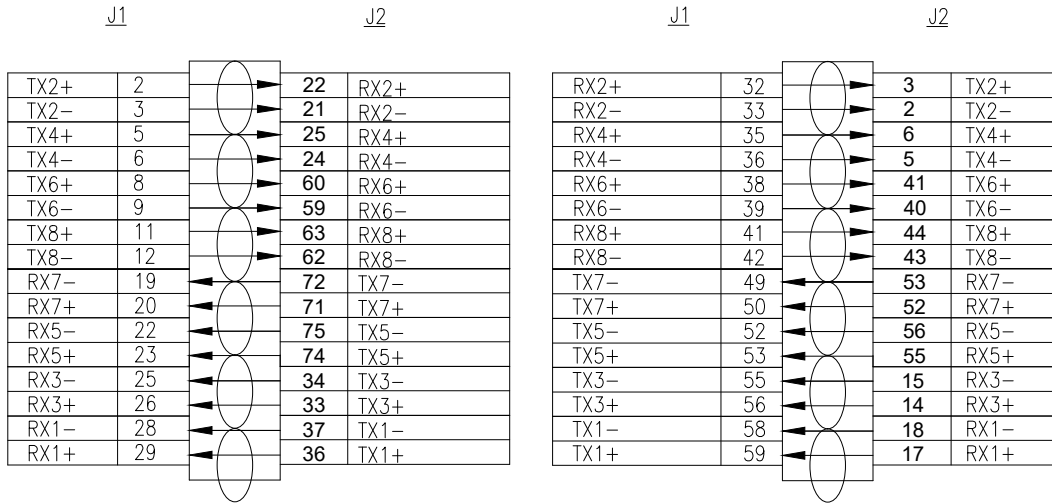
PACKAGING



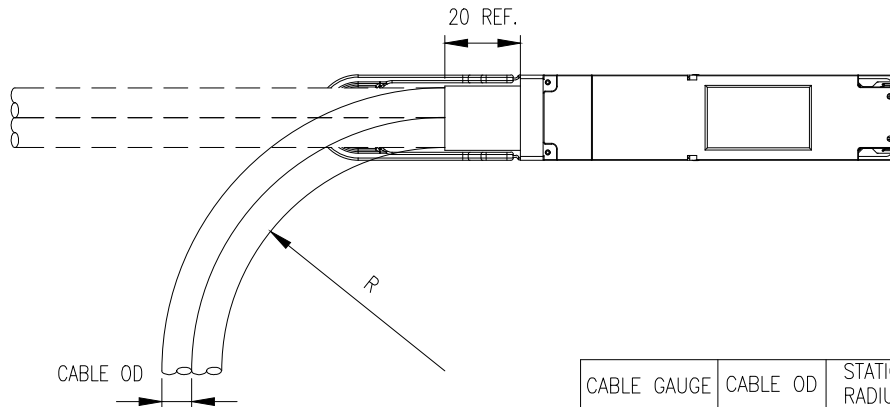
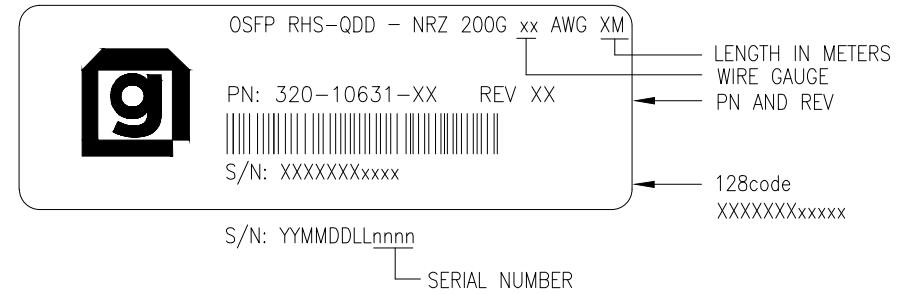
ITEM	NAME	Q'TY	DESCRIPTION
4	LABEL	2	BLACK INK, CABLE LABEL
3	OSFP PLUG ASSEMBLY	1	OSFP, PULL TAB COLOR: BLACK
2	QSFP-DD PLUG ASSEMBLY	1	QSFP-DD, PULL TAB COLOR: BLACK
1	RAW CABLE	A/R	8PAIRS, BLACK, ROHS, SEE TABLE A

GENERAL TOLERANCE X.± .X±0.20 .XX±0.10 .XXX±0.05	ANGLE TOLERANCE X°± .X°± .XX°± .XXX°±	DRAWN Zakk	DATE 4/14/2023	
MATERIAL		DESIGN	DATE	
FINISH		CHECKED	DATE	PART NUMBER 320-10631-XX
SCALE N/A	UNIT mm	APPROVED	DATE	DRAWING NO. 320-10631
SHEET 1 OF 2				SIZE A4 REV. X1

WIRING TABLE



CABLE LABEL



CABLE GAUGE	CABLE OD	STATIC BEND RADIUS "R"	DYNAMIC BEND RADIUS "R"
30AWG	6.7mm	33.5mm	67mm
28AWG	7.9mm	39.5mm	79mm

GENERAL TOLERANCE X.± .X±0.20 .XX±0.10 .XXX±0.05	ANGLE TOLERANCE X°± .X°± .XX°± .XXX°±	DRAWN Zakk	DATE 4/14/2023	
MATERIAL		CHECKED	DATE	
FINISH				PART NUMBER 320-10631-XX
SCALE N/A	UNIT mm	APPROVED	DATE	DRAWING NO. 320-10631
SHEET 2 OF 2				SIZE A4 REV. X1