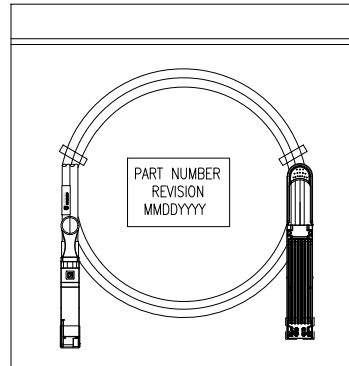


PART NUMBER	xx AWG	DIM. L
320-10630-01	30	1000±10
320-10630-02	30	2000±20
320-10630-03	28	3000±30

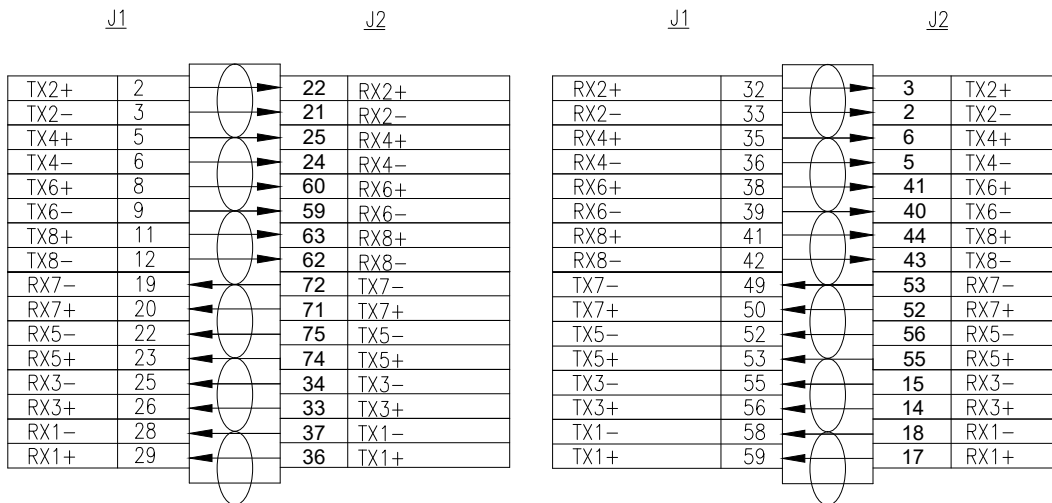
PACKAGING



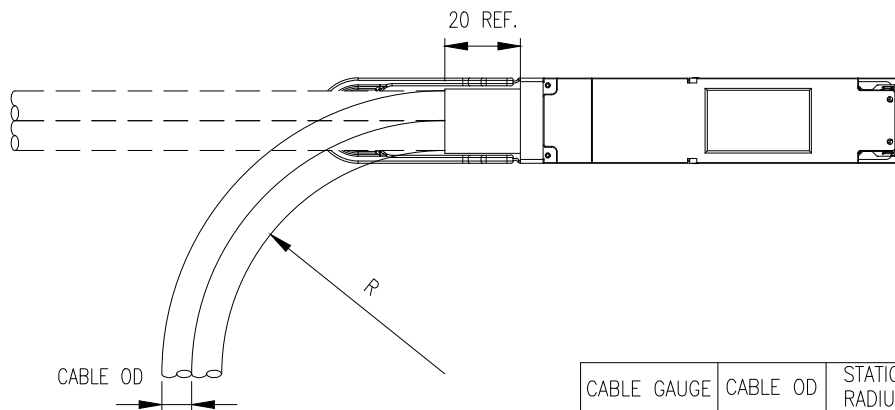
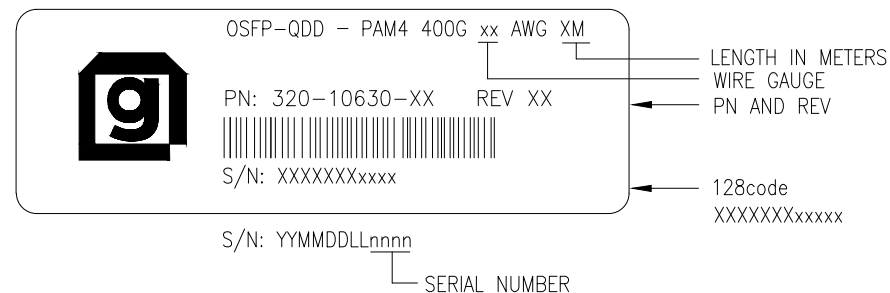
4	LABEL	2	BLACK INK, CABLE LABEL
3	OSFP PLUG ASSEMBLY	1	OSFP, PULL TAB COLOR: BLACK
2	QSFP-DD PLUG ASSEMBLY	1	QSFP-DD, PULL TAB COLOR: BLACK
1	RAW CABLE	A/R	8PAIRS, BLACK, ROHS, SEE TABLE A
ITEM	NAME	Q'TY	DESCRIPTION

GENERAL TOLERANCE	ANGLE TOLERANCE	DRAWN	DATE	
X.± .X±0.20 .XX±0.10 .XXX±0.05	X'± .X'± .XX'± .XXX'±	Zakk	4/14/2023	
MATERIAL		DESIGN	DATE	TITLE
FINISH		CHECKED	DATE	PART NUMBER
SCALE	UNIT	APPROVED	DATE	DRAWING NO.
N/A	mm			320-10630-XX
SHEET 1 OF 2				DRAWING NO.
				320-10630
				SIZE
				A4
				REV.
				X1

WIRING TABLE



CABLE LABEL



CABLE GAUGE	CABLE OD	STATIC BEND RADIUS "R"	DYNAMIC BEND RADIUS "R"
30AWG	6.7mm	33.5mm	67mm
28AWG	7.9mm	39.5mm	79mm

GENERAL TOLERANCE X $\pm$ .X $\pm$ 0.20 .XX $\pm$ 0.10 .XXX $\pm$ 0.05	ANGLE TOLERANCE X $^\circ$ $\pm$ .X $^\circ$ $\pm$ .XX $^\circ$ $\pm$ .XXX $^\circ$ $\pm$	DRAWN Zakk	DATE 4/14/2023	
MATL	FINISH	CHECKED	DATE	
SCALE N/A	UNIT mm	APPROVED	DATE	PART NUMBER. 320-10630-XX
SHEET 2 OF 2				DRAWING NO. 320-10630
				SIZE A4 REV. X1