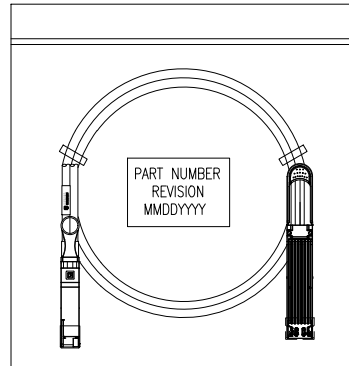


TABLE A		
PART NUMBER	xx AWG	DIM. L
320-10629-01	30	1000±10
320-10629-02	30	2000±20
320-10629-03	28	3000±30

PACKAGING



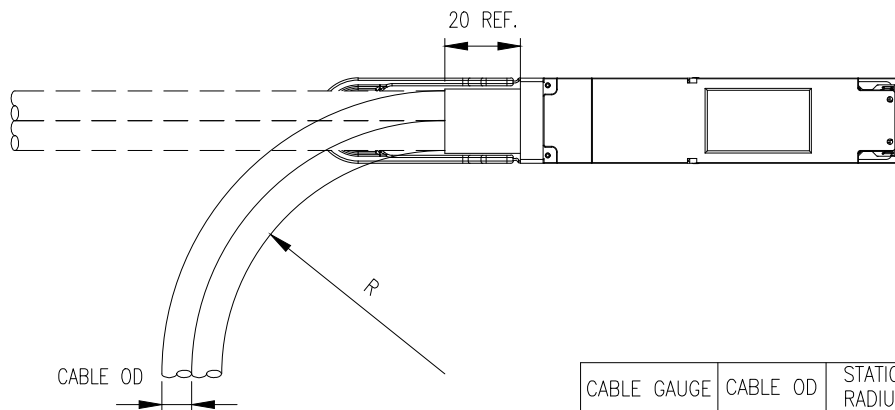
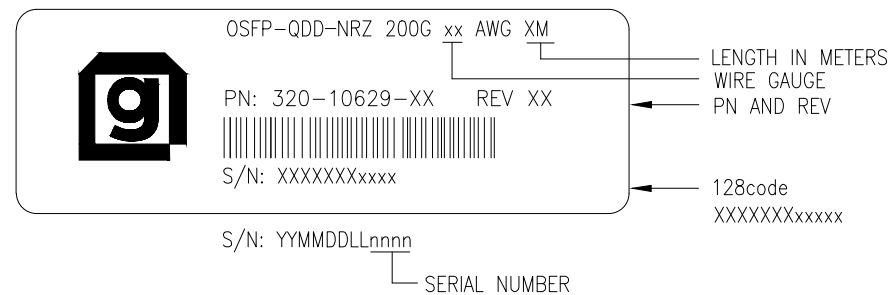
ITEM	NAME	Q'TY	DESCRIPTION
4	LABEL	2	BLACK INK, CABLE LABEL
3	OSFP PLUG ASSEMBLY	1	OSFP, PULL TAB COLOR: BLACK
2	QSFP-DD PLUG ASSEMBLY	1	QSFP-DD, PULL TAB COLOR: BLACK
1	RAW CABLE	A/R	8PAIRS, BLACK, ROHS, SEE TABLE A

GENERAL TOLERANCE X.± .X±0.20 .XX±0.10 .XXX±0.05	ANGLE TOLERANCE X°± .X°± .XX°± .XXX°±	DRAWN Zakk	DATE 4/14/2023	
MATERIAL		DESIGN	DATE	
FINISH		CHECKED	DATE	PART NUMBER 320-10629-XX
SCALE N/A	UNIT mm	APPROVED	DATE	DRAWING NO. 320-10629
SHEET 1 OF 2				SIZE A4 REV. X1

WIRING TABLE

J1		J2		J1		J2	
TX2+	2	22	RX2+	3	TX2+		
TX2-	3	21	RX2-	2	TX2-		
TX4+	5	25	RX4+	6	TX4+		
TX4-	6	24	RX4-	5	TX4-		
TX6+	8	60	RX6+	41	TX6+		
TX6-	9	59	RX6-	40	TX6-		
TX8+	11	63	RX8+	44	TX8+		
TX8-	12	62	RX8-	43	TX8-		
RX7-	19	72	TX7-	53	RX7-		
RX7+	20	71	TX7+	52	RX7+		
RX5-	22	75	TX5-	56	RX5-		
RX5+	23	74	TX5+	55	RX5+		
RX3-	25	34	TX3-	15	RX3-		
RX3+	26	33	TX3+	14	RX3+		
RX1-	28	37	TX1-	18	RX1-		
RX1+	29	36	TX1+	17	RX1+		

CABLE LABEL



CABLE GAUGE	CABLE OD	STATIC BEND RADIUS "R"	DYNAMIC BEND RADIUS "R"
30AWG	6.7mm	33.5mm	67mm
28AWG	7.9mm	39.5mm	79mm

GENERAL TOLERANCE X.± .X±0.20 .XX±0.10 .XXX±0.05	ANGLE TOLERANCE X°± .X°± .XX°± .XXX°±	DRAWN Zakk	DATE 4/14/2023	
MATERIAL FINISH		CHECKED	DATE	
SCALE N/A	UNIT mm	APPROVED	DATE	PART NUMBER 320-10629-XX
SHEET 2 OF 2				DRAWING NO. 320-10629
				SIZE A4
				REV. X1