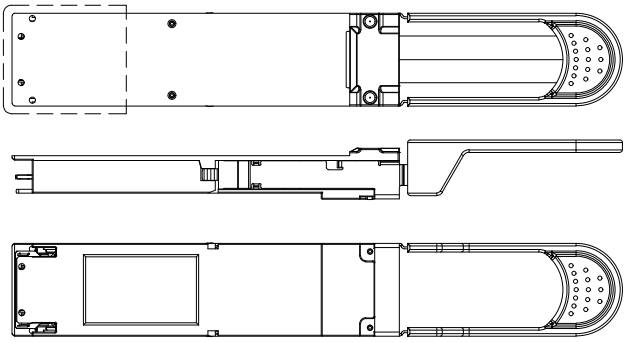
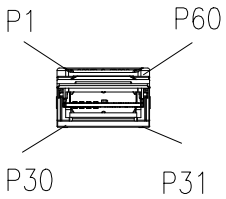


PROPRIETARY INFORMATION  
COMPANY CONFIDENTIAL

REV.	ECN. NO.	DESCRIPTION	ENG	DATE
X1		INITIAL	Zakk	4/14/2023



LABEL BE MARKED AS BELOW



- ← DESCRIPTION, 固定描述
- ← PN 料号
- ← CODE128: YYYYYYxxxxx
- ← SN 序列号

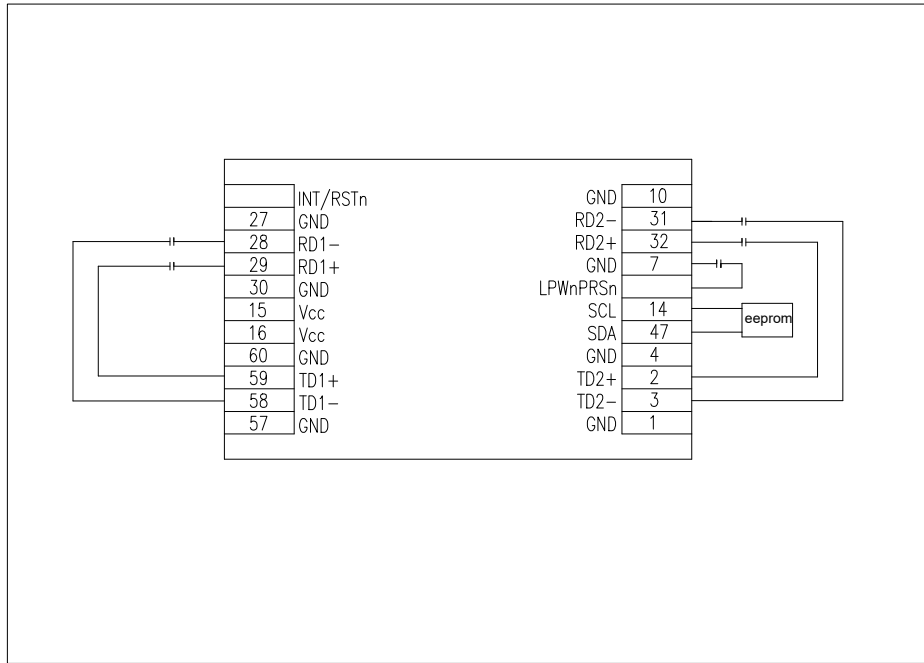
RoHS Compliant

GENERAL TOLERANCE X.± 0.50 .X± 0.20 .XX± 0.10 .XXX± 0.05	ANGLE TOLERANCE X°± 5.0° .X°± 3.0° .XX°± 2.0° .XXX°± 1.0°	DRAWN	DATE		
MATL		CHECKED	DATE		TITLE OSFP 400G RHS loopback
FINISH		APPROVED		DATE	PART NUMBER. 320-10616-01
SCALE <i>N/A</i>	UNIT <i>mm</i>	SHEET 1 OF 2		DRAWING NO. 320-10616	SIZE <i>A4</i> REV. <i>X1</i>

1	2	3	4
ITEM	PN	NAME	DESCRIPTION
1			

REV.	ECN. NO.	DESCRIPTION	ENG	DATE
X1		INITIAL	Zakk	4/14/2023

SCHEMATIC DIAGRAM



NOTE(注释):

- MATED CONNECTOR IMPEDANCE:  $100_{-15}^{+10}$  ohm, RISE TIME: 35ps(20%~80%).  
连接器接触区特性阻抗:  $100_{-15}^{+10}$  欧姆, 上升沿时间: 35ps(20%~80%).
- 100% CONDUCTOR TEST, CONDUCTION RESISTANCE MAX 2 ohm  
100% 导通测试, 导通电阻不大于2欧姆
- HIGH-FREQUENCY TEST ACCORDING TO IEEE802.3 STANDARD.  
高频测试依照IEEE802.3bj标准测试
- ALL MATERIAL MUST COMPLY WITH ROHS2.0.  
所有物料必须符合ROHS2.0
- DUE TO SHORT TRACES LENGTH, THE PART OF PARAMETER INDICATED MAY NOT MEET SFF8431 RETURN LOSS LIMITS (E.G. RETURN LOSS).  
由于测试链路长度较短, 有部分参数不符合IEEE802.3 (如: 回损等),
- STANDARD EEPROM DATA.  
标准烧录数据。

RoHS Compliant

GENERAL TOLERANCE X.± 0.50 .X± 0.20 .XX± 0.10 .XXX± 0.05	ANGLE TOLERANCE X°± 5.0° .X°± 3.0° .XX°± 2.0° .XXX°± 1.0°	DRAWN	DATE	
FINISH		CHECKED	DATE	
SCALE <i>N/A</i>		APPROVED		PART NUMBER: 320-10616-01
SHEET 2 OF 2		DATE		DRAWING NO. 320-10616
UNIT <i>mm</i>		DATE		SIZE <i>A4</i>
		DATE		REV. <i>X1</i>