

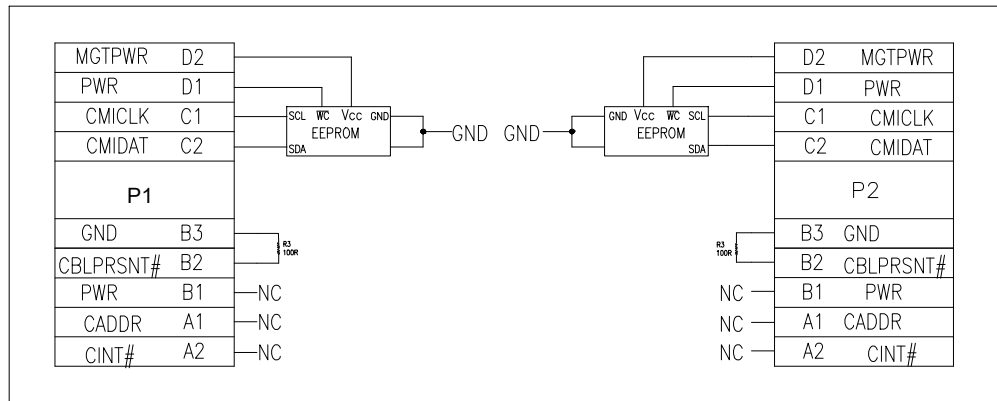
MATERIAL RoHS COMPLIANT:

- CABLE :
 CONDUCTOR: SOLID SILVER PLATED COPPER
 INSULATION: Skin-Foam-Skin
 DRAIN WIRE: TINNED COPPER
 PAIR SHIELD: HOT MELT ALUMINUM MYLAR
- PCB: ISOLA 370HR
- LEFT /RIGHT SHELL: ZINC ALLOY NICKEL PLATED
- THIS PRODUCT CONFORMS TO THE MECHANICAL DIMENSIONING REQUIREMENTS OF SFF-8644
- STRUCTURE DIMENSION ACCORDING TO SFF-8644

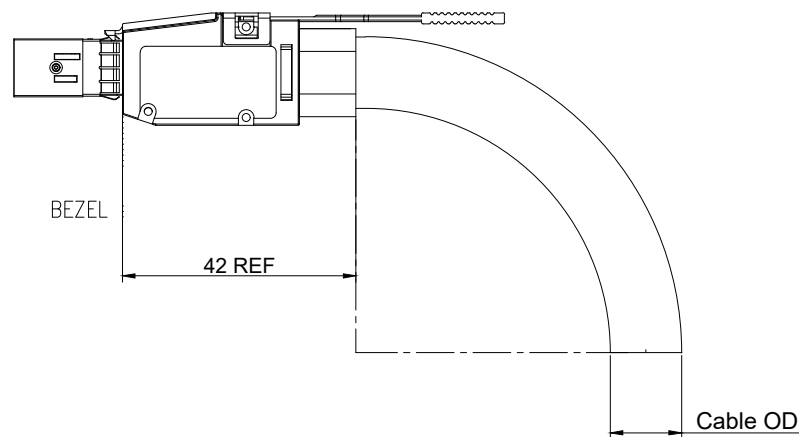
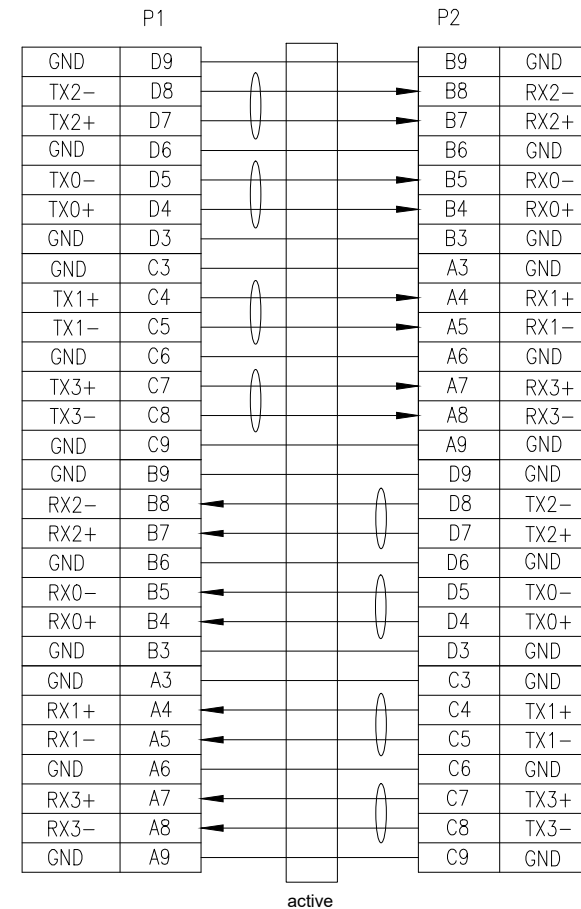
8	P-HSE2830-02B	2	EXT MINI SAS HD PCB A,B	
7	A-HSE2830-01B	2	EXT MINI SAS HD PCB C,D	
6	P-HSEPE-0001	2	DUST COVER FOR SFF-8644, PE, NATUAL	
5	P-HSEPV-0001	2	CABLE SR FOR EXT HD-SAS, BLACK.	
4	P-HSEPE-0002	2	INNER MOLDING FOR EXT HD-SAS,	
3	SHSE30	2	EXT HD-SAS CONNECTOR PCB,SHELL,LATCH,PULL TAB,RIVET,EMI	
2	L-O1-C-0001	1	ID LABEL, 60*30MM	
1	CABLE	R/A	8P CABLE, BLACK, SEE TABLE A	
ITEM	NAME	Q'TY	DESCRIPTION	NOTE

GENERAL TOLERANCE X± 0.50 .X± 0.20 .XX± 0.10 .XXX± 0.05	ANGLE TOLERANCE X°± 5.0° .X°± 3.0° .XX°± 2.0° .XXX°± 1.0°	DRAWN	DATE	
MATERIAL		CHECKED	DATE	
FINISH		APPROVED	DATE	
SCALE N/A	UNIT mm			
SHEET 1 OF 3				TITLE: Mini-sas HD Active SAS 4 PART NUMBER: 320-10553-XX DRAWING NO. 320-10553
				SIZE A4 REV. X1

LOW SPEED CONTROL



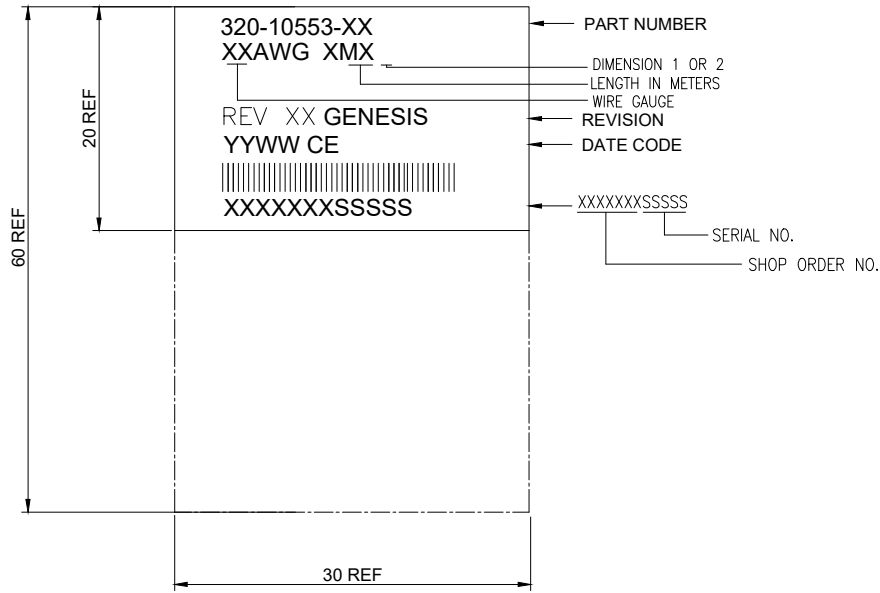
WIRING TABLE HIGH SPEED SIGNAL LANES



CABLE GAUGE	CABLE "OD"	STATIC BEND RADIUS "R"	DYNAMIC BEND RADIUS "R"
30AWG	5.5MM	27.5MM	55MM
28AWG	5.6MM	28.0MM	56MM
26AWG	7.1MM	35.5MM	71MM
24AWG	7.6MM	38.0MM	76MM

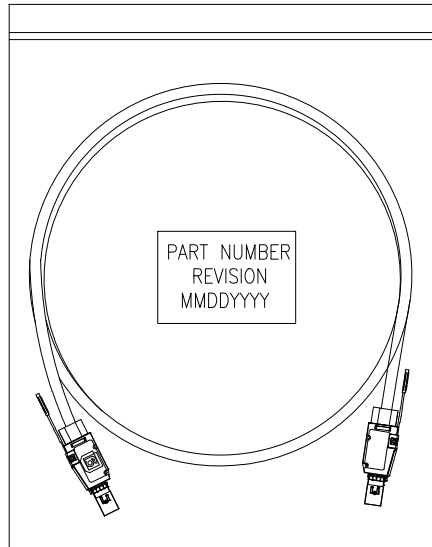
GENERAL TOLERANCE X.± 0.50 .X± 0.20 .XX± 0.10 .XXX± 0.05	ANGLE TOLERANCE X°± 5.0° .X°± 3.0° .XX°± 2.0° .XXX°± 1.0°	DRAWN	DATE	
MATERIAL		CHECKED	DATE	
FINISH		APPROVED	DATE	
SCALE	UNIT			
SHEET 2 OF 3	N/A	mm		Mini-sas HD Active SAS 4 PART NUMBER: 320-10553-XX DRAWING NO. 320-10553 SIZE A4 REV. X1

LABEL INFORMATION



PART NUMBER	WIRE TYPE	xx AWG	XM1 LENGTH	XM2 LENGTH
320-10553-01	PC-PVC	30	500±20	
320-10553-04	PC-PVC	28	4000±30	
320-10553-05	PC-PVC	28	5000±30	
320-10553-06	PC-PVC	28	6000±30	

PACKAGING:



GENERAL TOLERANCE X.± 0.50 .X± 0.20 .XX± 0.10 .XXX± 0.05	ANGLE TOLERANCE X°± 5.0° .X°± 3.0° .XX°± 2.0° .XXX°± 1.0°	DRAWN	DATE		
MATERIAL		CHECKED	DATE		TITLE Mini-sas HD Active SAS 4
FINISH		APPROVED	DATE		PART NUMBER 320-10553-XX
SCALE N/A	UNIT mm	SHEET 3 OF 3		DRAWING NO. 320-10553	
				SIZE A4 REV. X1	