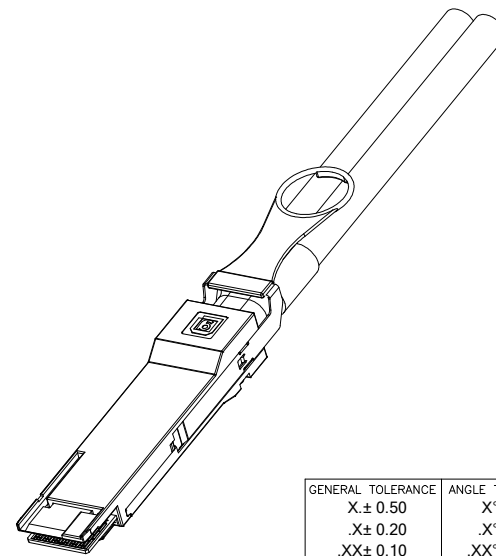


NOTE(注释):

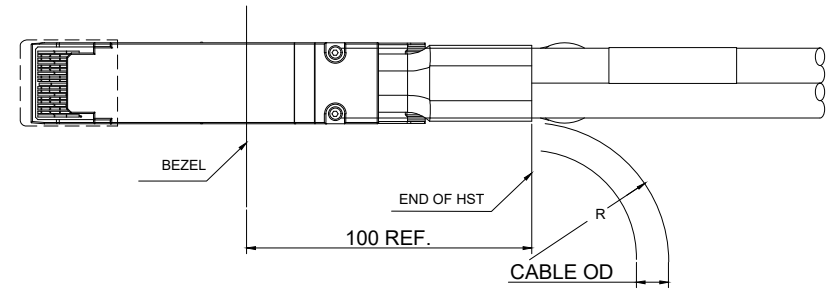
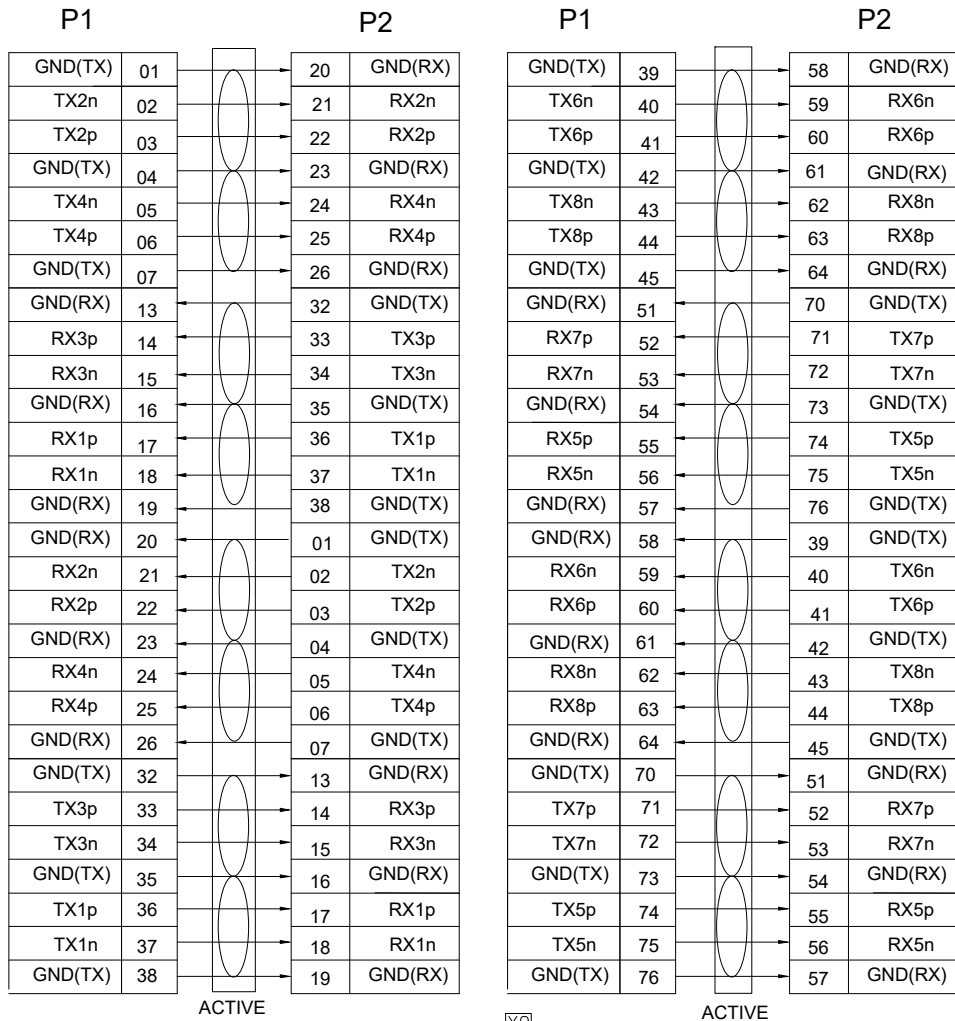
- CABLE ASSEMBLY IMPEDANCE: 100±10 ohm.
成品特性阻抗: 100±10 欧姆
- 100% CONDUCTOR TEST, TEST CONDITION:VOLTAGE 5V,INSULTION RESISTANCE 10M ohm,
CONDUCTION RESISTANCE MAX 3 ohm
100% 导通测试, 测试条件为电压5V, 绝缘10M欧姆, 导通电阻不大于3欧姆
- HIGH-FREQUENCY TEST ACCORDING TO IEEE802.3 STANDARD.
高频测试依照IEEE802.3标准测试
- ALL MATERIAL MUST COMPLY WITH ROHS2.0.
所有物料必须符合ROHS2.0



13	CABLE LABEL	LABEL, 48.3*79.2mm	2	☒
12	DUST COVER(防尘盖)	LDPE, NATURAL	2	
11	INNER MOLD(内模)	HOT-MELT GLUE	A/R	
10	HEAT SHRINKABLE TUBE(热缩套管)	Ø17MM,	A/R	
9	COPPER FOIL (铜箔)	6.4X0.05mm	2	
8	SCREW(螺丝)	SUS304	4	
7	SPRING(弹簧)	SWPB	4	
6	PULL TAB(拉带)	PA66 S1300, BLACK	2	☒
5	LATCH(挂钩)	STAINLESS STEEL	2	
4	BOTTOM SHELL(下壳)	Zn ALLOY, PLATED Ni OVER Cu	2	
3	TOP SHELL(上壳)	Zn ALLOY, PLATED Ni OVER Cu	2	
2	PCB ASSEMBLY(PCB 成品)	QSFP-DD, PCB, 76P, Au 30u*Min	2	☒
1	RAW CABLE(线材)	TWINAX, 8PAIRS, BLACK, 100ohms TABLE A	A/R	☒
ITEM	NAME	DESCRIPTION	Q'TY	

GENERAL TOLERANCE .X± 0.50 .X± 0.20 .XX± 0.10 .XXX± 0.05	ANGLE TOLERANCE X°± 5.0° .X°± 3.0° .XX°± 2.0° .XXX°± 1.0°	DRAWN	DATE	
MATERIAL		CHECKED	DATE	
FINISH		APPROVED	DATE	
SCALE N/A	UNIT mm			
SHEET 1 OF 3				TITLE: QDD-QDD DAC, 56G Active 400G Spectra7 PART NUMBER: 320-10555-XX DRAWING NO. 320-10555 SIZE A4 REV. Xg

WIRING TABLE

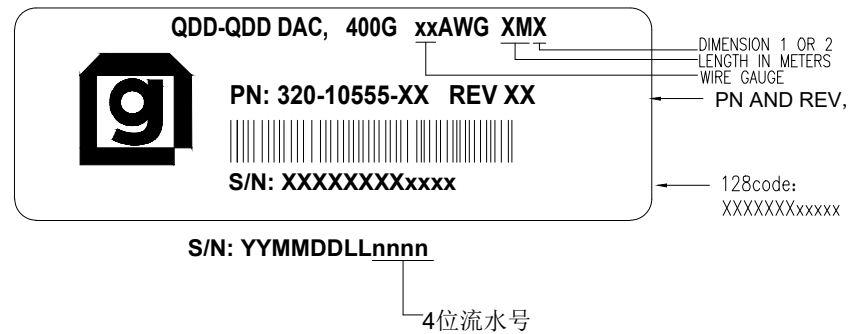


CABLE GAUGE	CABLE "OD"	STATIC BEND RADIUS "R"	DYNAMIC BEND RADIUS "R"
30AWG	6.7MM	33.5MM	67MM
28AWG	7.9MM	39.5MM	79MM

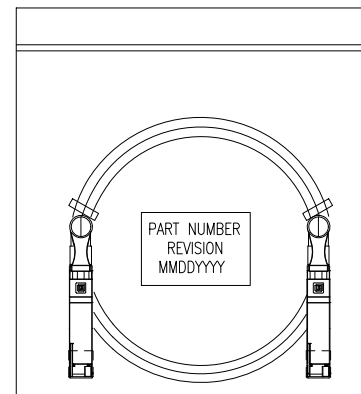
GENERAL TOLERANCE X.± 0.50 .X± 0.20 .XX± 0.10 .XXX± 0.05	ANGLE TOLERANCE X°± 5.0° .X°± 3.0° .XX°± 2.0° .XXX°± 1.0°	DRAWN	DATE		
MATERIAL		CHECKED	DATE		TITLE QDD-QDD DAC, 56G Active 400G Spectra7
FINISH		APPROVED			PART NUMBER. 320-10555-XX
SCALE N/A	UNIT mm	DATE			DRAWING NO. 320-10555
SHEET 2 OF 3				SIZE A4 REV. X9	

TABLE A				
PART NUMBER	WIRE TYPE	xx AWG	XM1 LENGTH	XM2 LENGTH
320-10555-01	PVC	30	1000±20	
320-10555-02	PVC	30	2000±30	
320-10555-03	PVC	30	3000±30	
320-10555-04	PVC	30	4000±30	
320-10555-05	PVC	30	5000±30	

CABLE LABEL:



PACKAGING:



GENERAL TOLERANCE X.± 0.50 .X± 0.20 .XX± 0.10 .XXX± 0.05	ANGLE TOLERANCE X°± 5.0° .X°± 3.0° .XX°± 2.0° .XXX°± 1.0°	DRAWN	DATE		
MATERIAL		CHECKED	DATE		TITLE QDD-QDD DAC, 56G Active 400G Spectra7
FINISH		APPROVED		DATE	PART NUMBER 320-10555-XX
SCALE N/A	UNIT mm	SHEET 3 OF 3			DRAWING NO. 320-10555
					SIZE A4 REV Xg