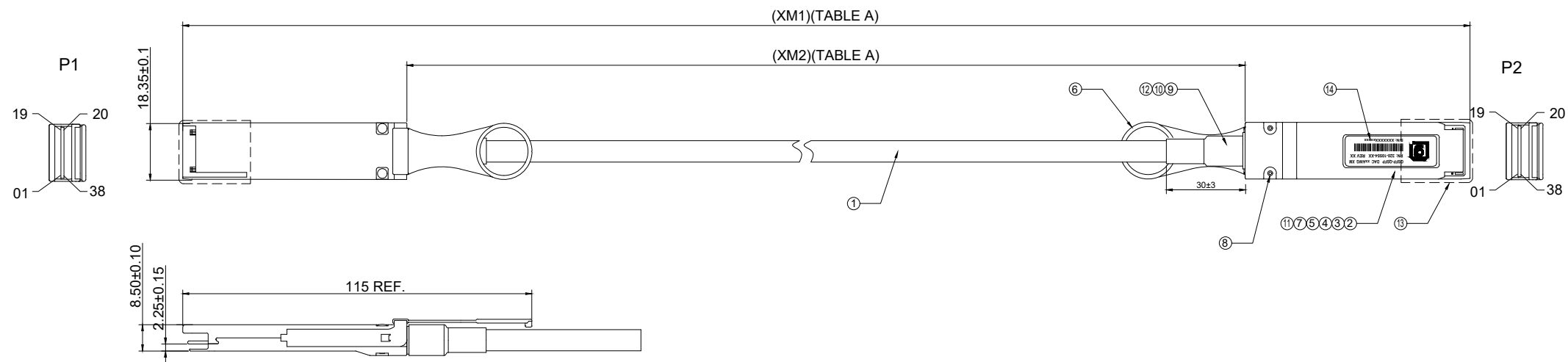
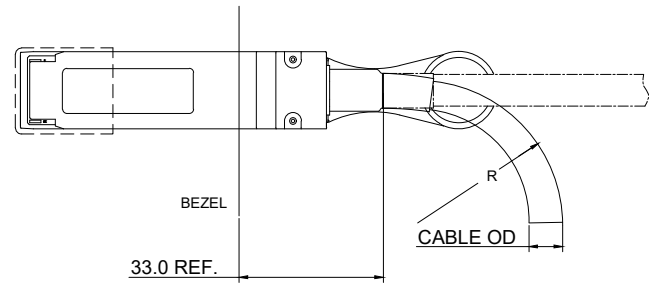


REV.	ECN. NO.	DESCRIPTION	ENG	DATE
X1		FIRST ISSUE	Zakk	6/3/2022



NOTE(注释):
 1. CABLE ASSEMBLY IMPEDANCE: 100±10 ohm.
 成品特性阻抗: 100±10 欧姆
 2. 100% CONDUCTOR TEST, TEST CONDITION: VOLTAGE 5V, INSULATION RESISTANCE 10M ohm,
 CONDUCTION RESISTANCE MAX 3 ohm
 100% 导通测试, 测试条件为电压5V, 绝缘10M欧姆, 导通电阻不大于3欧姆
 3. HIGH-FREQUENCY TEST ACCORDING TO IEEE802.3 STANDARD.
 高频测试依照IEEE802.3标准测试
 4. ALL MATERIAL MUST COMPLY WITH ROHS2.0.
 所有物料必须符合ROHS2.0



CABLE GAUGE	CABLE "OD"	STATIC BEND RADIUS "R"	DYNAMIC BEND RADIUS "R"
30AWG	6.1MM	30.5MM	61MM
26AWG	8.7MM	43.5MM	87MM

14	CONN. LABEL(壳标)	BACK SHELL LABEL, 29.5*9.6mm	2
13	DUST COVER(防尘盖)	LDPE, NATURAL	2
12	HEAT SHRINKABLE TUBE(热缩套管)	Ø9.5MM,	A/R
11	INNER MOLD(内模)	HOT-MELT GLUE	A/R
10	BRASS BUCKLE(铜扣)	BRASS, PLATED Ni	2
9	COPPER RING(铜环)	COPPER, PLATED Ni	2
8	RIVET(铆钉)	ALUMINIUM ALLOY	4
7	SPRING(弹簧)	HANDED ROTATION, SWPB	4
6	PULL TAB(拉带)	PA66 S1300, SKY BLUE	2
5	LATCH(挂钩)	STAINLESS STEEL	2
4	BOTTOM SHELL(下壳)	Zn ALLOY, PLATED Ni OVER Cu	2
3	TOP SHELL(上壳)	Zn ALLOY, PLATED Ni OVER Cu	2
2	PCB ASSEMBLY(PCB 成品)	QSFP112 PCB, 38P, Au 30u*Min	2
1	RAW CABLE(线材)	30/26AWG, 8PAIRS, PVC, BLACK, ROHS2.0	A/R
ITEM	NAME	DESCRIPTION	Q'TY
1			
2			
3			
4			

GENERAL TOLERANCE X.± 0.50 .X± 0.20 .XX± 0.10 .XXX± 0.05	ANGLE TOLERANCE X°± 5.0° .X°± 3.0° .XX°± 2.0° .XXX°± 1.0°	DRAWN	DATE	
MATERIAL		CHECKED	DATE	
FINISH		APPROVED	DATE	
SCALE N/A	UNIT mm			
SHEET 1 OF 3				TITLE: QSFP-QSFP DAC Active 56G, 200G PART NUMBER: 320-10554-XX DRAWING NO. 320-10554 SIZE A4 REV. X1

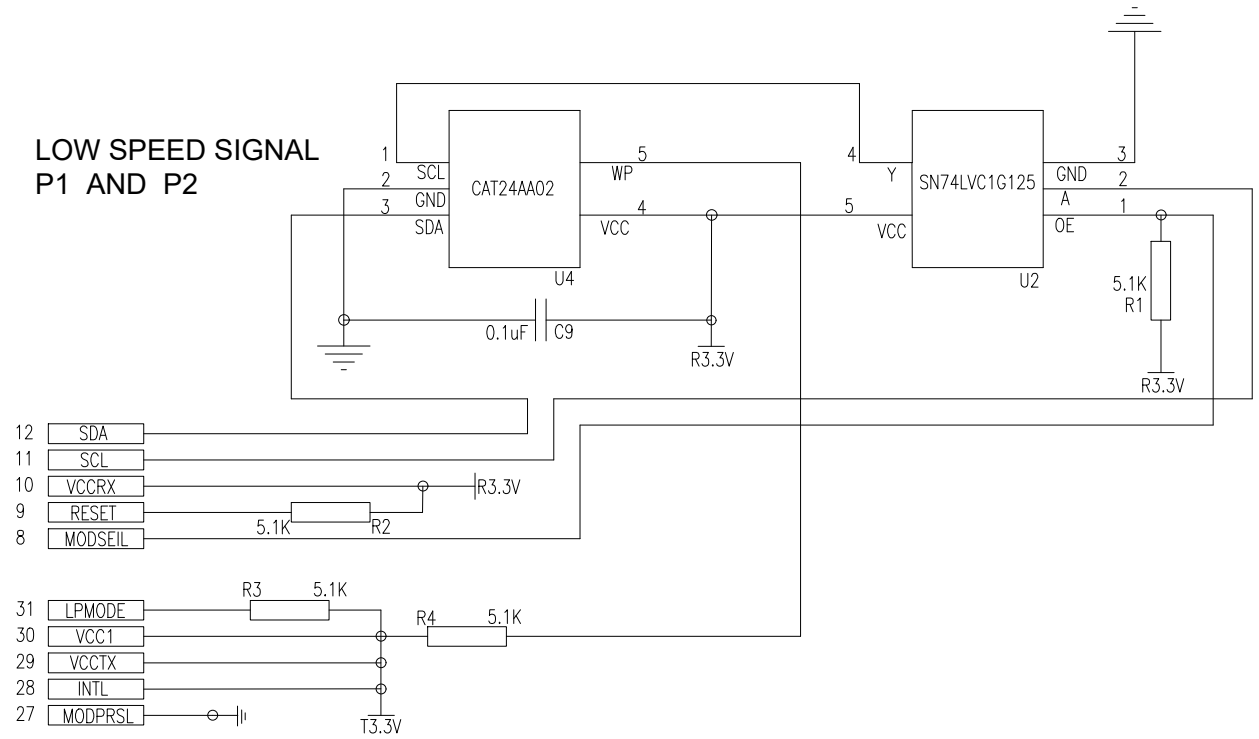
REV.	ECN. NO.	DESCRIPTION	ENG	DATE
		REFER TO PAGE 1		

WIRING TABLE

P1		P2	
GND(TX)	01	20	GND(RX)
TX2n	02	21	RX2n
TX2p	03	22	RX2p
GND(TX)	04	23	GND(RX)
TX4n	05	24	RX4n
TX4p	06	25	RX4p
GND(TX)	07	26	GND(RX)
GND(RX)	13	32	GND(TX)
RX3p	14	33	TX3p
RX3n	15	34	TX3n
GND(RX)	16	35	GND(TX)
RX1p	17	36	TX1p
RX1n	18	37	TX1n
GND(RX)	19	38	GND(TX)
GND(RX)	20	01	GND(TX)
RX2n	21	02	TX2n
RX2p	22	03	TX2p
GND(RX)	23	04	GND(TX)
RX4n	24	05	TX4n
RX4p	25	06	TX4p
GND(RX)	26	07	GND(TX)
GND(TX)	32	13	GND(RX)
TX3p	33	14	RX3p
TX3n	34	15	RX3n
GND(TX)	35	16	GND(RX)
TX1p	36	17	RX1p
TX1n	37	18	RX1n
GND(TX)	38	19	GND(RX)

Active

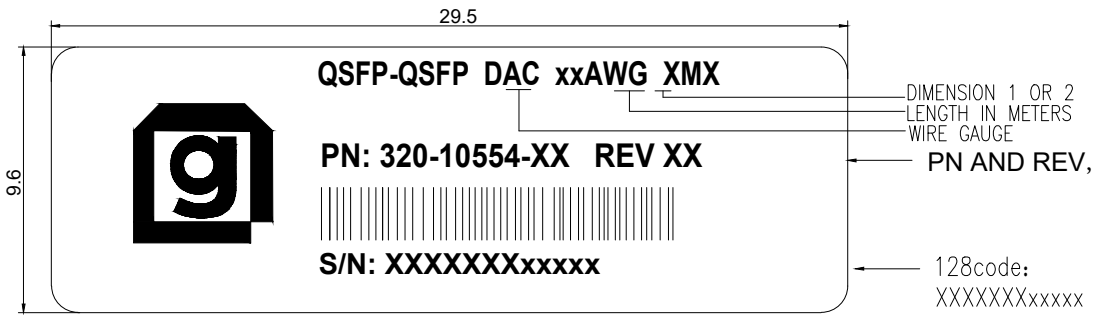
LOW SPEED SIGNAL P1 AND P2



GENERAL TOLERANCE X.± 0.50 .X± 0.20 .XX± 0.10 .XXX± 0.05	ANGLE TOLERANCE X°± 5.0° .X°± 3.0° .XX°± 2.0° .XXX°± 1.0°	DRAWN	DATE	
FINISH		CHECKED	DATE	
SCALE N/A		APPROVED		PART NUMBER: 320-10554-XX
SHEET 2 OF 3		DATE		DRAWING NO. 320-10554
UNIT mm		DATE		SIZE A4
		DATE		REV. X1

REV.	ECN. NO.	DESCRIPTION	ENG	DATE
		REFER TO PAGE 1		

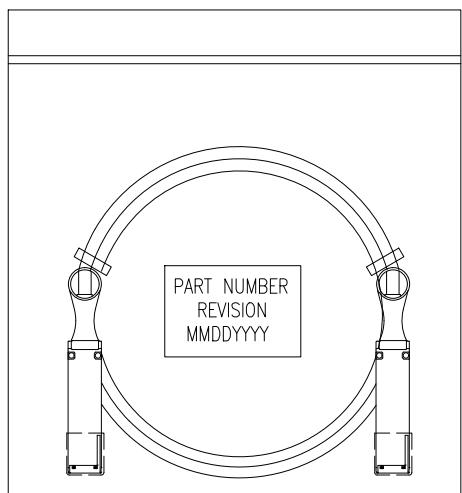
CONN. LABEL(壳标):



S/N: XXXXXXXXxxxxxx
 5位流水号
 7位PO NO. 订单号

PART NUMBER	WIRE TYPE	xx AWG	XM1 LENGTH	XM2 LENGTH
320-10554-01	PC-PVC	30	500±20	
320-10554-04	PC-PVC	30	4000±30	
320-10554-05	PC-PVC	30	5000±30	

PACKAGING:



GENERAL TOLERANCE X.± 0.50 .X± 0.20 .XX± 0.10 .XXX± 0.05	ANGLE TOLERANCE X°± 5.0° .X°± 3.0° .XX°± 2.0° .XXX°± 1.0°	DRAWN	DATE		
MATERIAL		CHECKED	DATE		TITLE: QSFP-QSFP DAC Active 56G, 200G
FINISH		APPROVED		DATE	PART NUMBER: 320-10554-XX
SCALE: N/A	UNIT: mm	SHEET 3 OF 3			DRAWING NO. 320-10554
					SIZE: A4 REV: X1