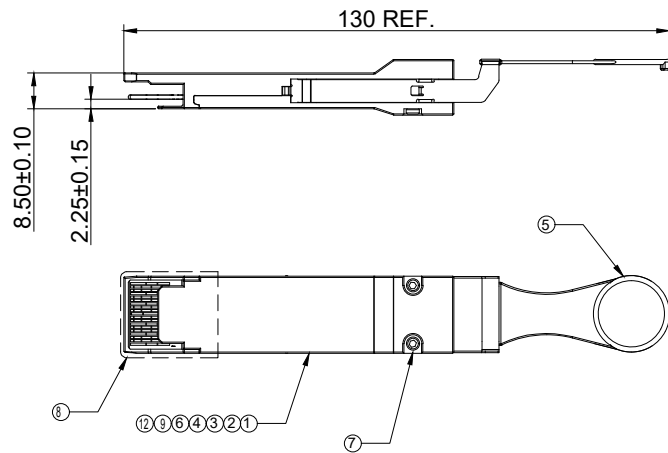
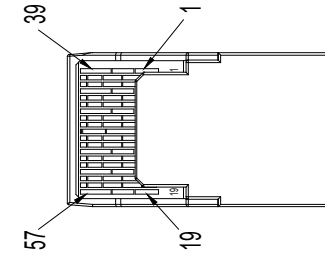
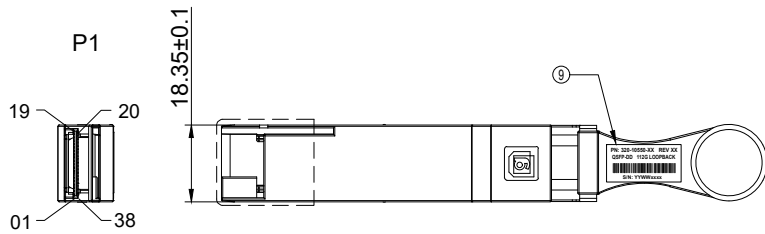


REV.	ECN. NO.	DESCRIPTION	ENG	DATE
X1		INITIAL	Zakk	6/15/2022



NOTES:
1. PCB IMPEDANCE: 100±10 ohm.
2. ALL MATERIAL MUST COMPLY WITH ROHS2.0.

LABEL BE MARKED AS BELOW



← DESCRIPTION, 固定描述
← PN 料号
← CODE128: YYYYYYxxxxx
← SN 序列号

PART NUMBER	ATTENUATION
320-10356-01	0dB
320-10356-02	3dB
320-10356-03	6dB

12	CAP	REAR CAP	1
11	LABEL	BAG LABEL	1
10	BAG	ANTI-STATIC BAG	1
9	CONNECTOR LABEL	LABEL	1
8	DUST COVER(防尘盖)	LDPE, NATURAL	1
7	SCREW(螺丝)	SUS304	2
6	SPRING(弹簧)	HANDED ROTATION, SWPB	2
5	PULL TAB(拉带)	PA66 S1300, SKY BLACK	1
4	LATCH(挂钩)	STAINLESS STEEL	1
3	BOTTOM SHELL(下壳)	Zn ALLOY, PLATED Ni OVER Cu	1
2	TOP SHELL(上壳)	Zn ALLOY, PLATED Ni OVER Cu	1
1	PCB ASSEMBLY(PCB 成品)	QSFP-DD PCB, Au 30u*Min	1

ITEM	PN	NAME	DESCRIPTION	Q'TY
1		2	3	4

RoHS Compliant

GENERAL TOLERANCE X.± 0.50 .X± 0.20 .XX± 0.10 .XXX± 0.05	ANGLE TOLERANCE X°± 5.0° .X°± 3.0° .XX°± 2.0° .XXX°± 1.0°	DRAWN	DATE	
MATERIAL		CHECKED	DATE	
FINISH		APPROVED	DATE	
SCALE <i>N/A</i>	UNIT <i>mm</i>			
SHEET 1 OF 2				TITLE: QSFP-DD 112G Loopback PART NUMBER: 320-10550-01 DRAWING NO. 320-10550 SIZE <i>A4</i> REV. <i>X1</i>

REV.	ECN. NO.	DESCRIPTION	ENG	DATE
X1		INITIAL	Zakk	6/15/2022

PCB ROUTING TABLE

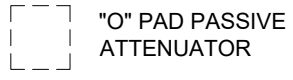
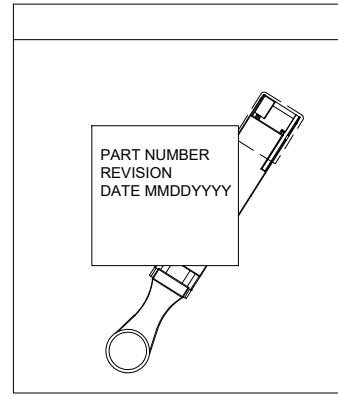
P1 (TX)		P1 (RX)	
GND(TX)	01	20	GND(RX)
TX2n	02	21	RX2n
TX2p	03	22	RX2p
GND(TX)	04	23	GND(RX)
TX4n	05	24	RX4n
TX4p	06	25	RX4p
GND(TX)	07	26	GND(RX)
GND(TX)	32	13	GND(RX)
TX3p	33	14	RX3p
TX3n	34	15	RX3n
GND(TX)	35	16	GND(RX)
TX1p	36	17	RX1p
TX1n	37	18	RX1n
GND(TX)	38	19	GND(RX)
GND(TX)	39	58	GND(RX)
TX6n	40	59	RX6n
TX6p	41	60	RX6p
GND(TX)	43	61	GND(RX)
TX8n	44	62	RX8n
TX8p	45	63	RX8p
GND(TX)	46	64	GND(RX)
GND(TX)	70	51	GND(RX)
TX7p	71	52	RX7p
TX7n	72	53	RX7n
GND(TX)	73	54	GND(RX)
TX5p	74	55	RX5p
TX5n	75	56	RX5n
GND(TX)	76	57	GND(RX)

LOW SPEED SIGNAL P1

- 12 SDA
- 11 SCL
- 10 VCCR_X
- 9 RESET
- 8 MODSEIL

- 31 LPMODE SELECT LPMODE TO GROUND ENABLE HIGH POWER DISSIPATION.
- 30 VCC1
- 29 VCCTX
- 28 INTL
- 27 MODPRSL

PACKAGING: $\text{\textcircled{9}}$ $\text{\textcircled{10}}$



RoHS Compliant

GENERAL TOLERANCE X.± 0.50 .X± 0.20 .XX± 0.10 .XXX± 0.05	ANGLE TOLERANCE X°± 5.0° .X°± 3.0° .XX°± 2.0° .XXX°± 1.0°	DRAWN	DATE		
MATERIAL		CHECKED	DATE		TITLE: QSFP-DD 112G Loopback
FINISH		APPROVED		DATE	PART NUMBER: 320-10550-01
SCALE: N/A	UNIT: mm	SHEET 2 OF 2		DRAWING NO. 320-10550	SIZE: A4 REV: X1