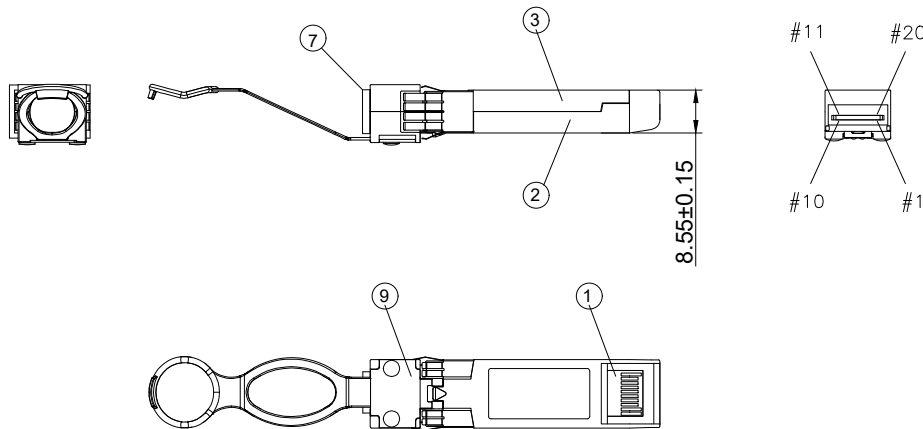
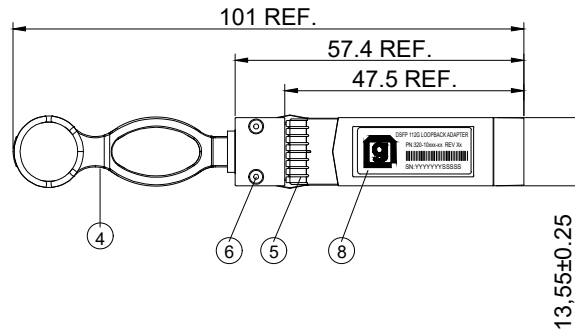


PROPRIETARY INFORMATION
COMPANY CONFIDENTIAL

REV.	ECN. NO.	DESCRIPTION	ENG	DATE
X1		INITIAL	Zakk	6/1/2022



Specifications
 Backshell: Zinc Die-Casting Nickel plating
 PCB Paddle: M6, 20POS
 PCB Contact Plating: Gold 30 u" min.
 Pull-Tab: Nylon (Polyamide) with blue color
 Pull-Tab cover: Stainless steel
 EMI Girdle: Stainless steel
 Rivet: Aluminum
 Durability: 500 cycles (EIA-364-23C)
 Mating & Unmating Force: 50N max. (EIA-364-13D)
 Latch Strength: 70N min. (EIA-364-13D)
 Supply Voltage: 3.13~5.25VDC (TYP. 3.3VDC)
 Withstanding Voltage: 300VDC
 Power Current Rating: 0.5 amps maximum per contact
 Insulation Resistance: 1,000Mohm min. (EIA-364-21C)
 Differential Impedance: 100ohm +/-10 @35ps rise time 20~80% (EIA-364-108)
 Within Pair SKEW: < 10ps (EIA-364-103)
 Insertion Loss (SDD21): 0dB

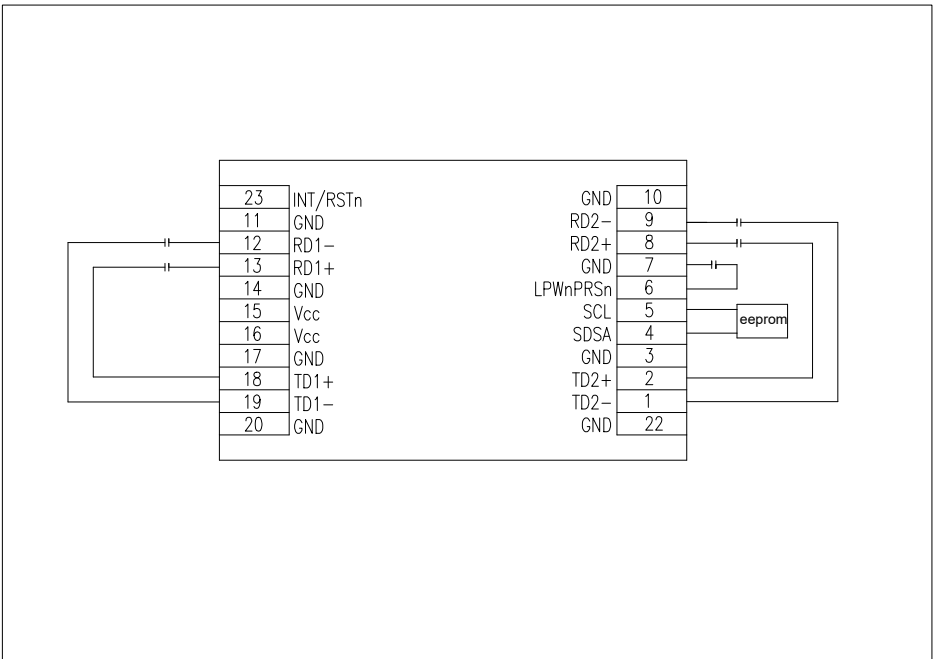
9	M-SF2SLOT-04	COVER(封盖)	STAINLESS STEEL SUS301	1
8	L-05-S-0001	BACKSHELL LABEL(壳标)	WHITE LABEL, PET, 23.5X9.5MM	1
7	M-SF2CPNI-03-P/N6	COPPER PLUG(铜塞)	BRASS, C3604, PLATED Ni OVER Cu	1
6	M-SF2ALOT-01	RIVET(铆钉)	ALUMINIUM ALLOY	2
5	M-SF2SLOT-01	EMI SHELL(EMI 弹片)	STAINLESS STEEL SUS301	1
4	P-SFPNY-0010	PULL TAB(拉带)	PULL RING, PA66 S1300, SKY BLUE	1
3	M-SF2ZANI-12-A	BOTTOM SHELL(下壳)	Zn ALLOY, PLATED Ni OVER Cu	1
2	M-SF2ZANI-10-A	TOP SHELL(上壳)	Zn ALLOY, PLATED Ni OVER Cu	1
1	A-ZSP3030-020	PCB ASSEMBLY(PCB 成品)	SFP112 LB PCBA, 20P, Au 30u"Min	1
ITEM	PN	NAME	DESCRIPTION	Q'TY

RoHS Compliant

GENERAL TOLERANCE X± 0.50 .X± 0.20 .XX± 0.10 .XXX± 0.05	ANGLE TOLERANCE X°± 5.0° .X°± 3.0° .XX°± 2.0° .XXX°± 1.0°	DRAWN	DATE		
FINISH		CHECKED	DATE		TITLE DSFP 112G Loopback ATA RATE
SCALE N/A		APPROVED	DATE		PART NUMBER 320-10548-01
SHEET 1 OF 2					DRAWING NO. 320-10548
				SIZE A4	
				REV. X1	

6	7	8		
REV.	ECN. NO.	DESCRIPTION	ENG	DATE
X1		INITIAL	Zakk	6/1/2022

SCHEMATIC DIAGRAM



NOTE(注释):

- MATED CONNECTOR IMPEDANCE: 100_{-15}^{+10} ohm, RISE TIME: 35ps(20%~80%).
连接器接触区特性阻抗: 100_{-15}^{+10} 欧姆, 上升沿时间: 35ps(20%~80%).
- 100% CONDUCTOR TEST, CONDUCTION RESISTANCE MAX 2 ohm
100% 导通测试, 导通电阻不大于2欧姆
- HIGH-FREQUENCY TEST ACCORDING TO IEEE802.3 STANDARD.
高频测试依照IEEE802.3bj标准测试
- ALL MATERIAL MUST COMPLY WITH ROHS2.0.
所有物料必须符合ROHS2.0
- DUE TO SHORT TRACES LENGTH, THE PART OF PARAMETER INDICATED MAY NOT MEET SFF8431 RETURN LOSS LIMITS (E.G. RETURN LOSS).
由于测试链路长度较短, 有部分参数不符合IEEE802.3 (如: 回损等),
- STANDARD EEPROM DATA.
标准烧录数据。

RoHS Compliant

GENERAL TOLERANCE X.± 0.50 .X± 0.20 .XX± 0.10 .XXX± 0.05	ANGLE TOLERANCE X°± 5.0° .X°± 3.0° .XX°± 2.0° .XXX°± 1.0°	DRAWN	DATE	
FINISH		CHECKED	DATE	
SCALE N/A		APPROVED		PART NUMBER: 320-10548-01
SHEET 2 OF 2		DATE		DRAWING NO. 320-10548
UNIT mm		DATE		SIZE A4
		DATE		REV. X1