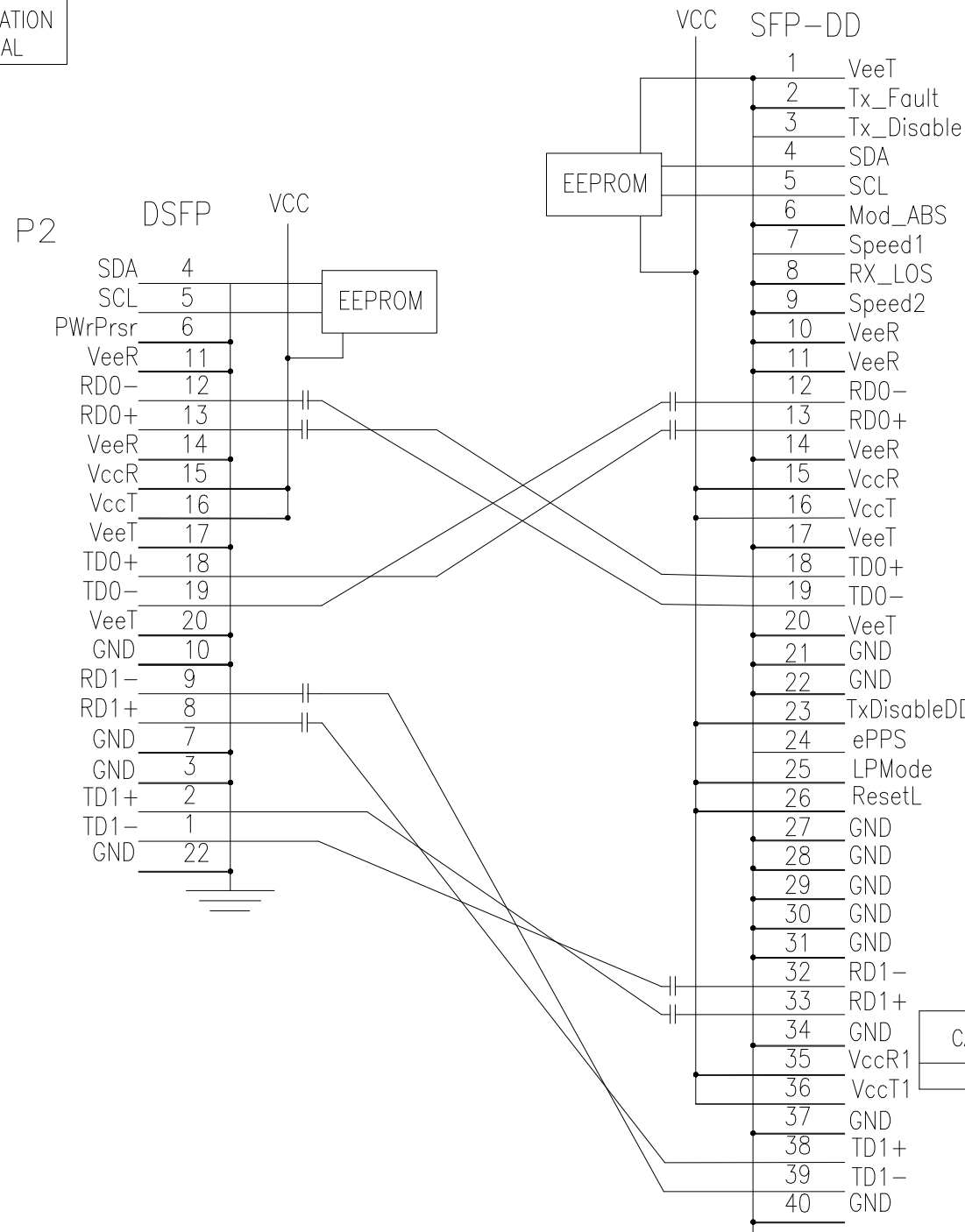


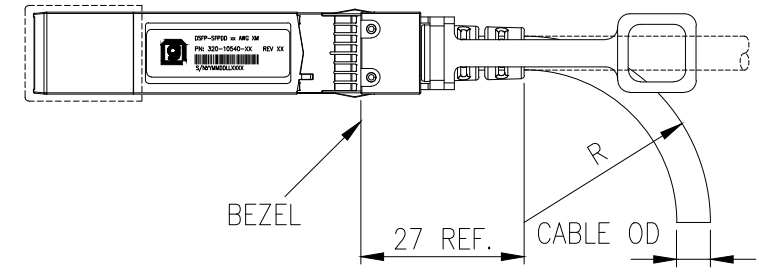
P2

5	DUST COVER	2	DUST COVER, PE, NATURAL	
4	LABEL	2	SHELL BARCODE LABELS	
3	DSFP CONNECTOR	1	DSFP CONNECTOR, PULL TAB: BLACK	
2	SFPDD CONNECTOR	1	SFP-DD CONNECTOR, PULL TAB: BLACK	
1	CABLE	A/R	TABLE A, WIRE TYPE, WIRE GAUGE	
ITEM	NAME	Q'TY	DESCRIPTION	NOTE

GENERAL TOLERANCE X ± .X ± 0.40 .XX ± 0.30 .XXX ± 0.20	ANGLE TOLERANCE X° ± .X° ± .XX° ± .XXX° ±	DRAWN	DATE		
MATERIAL		CHECKED	DATE		TITLE DSFP-SFPDD DAC, 112G, 200G
FINISH					PART NUMBER 320-10540-XX
SCALE N/A	UNIT mm	APPROVED	DATE		DRAWING NO. 320-10540
SHEET 1 OF 3				SIZE A4 REV. X1	



NOTE: VeeT=Veer



CABLE GAUGE	CABLE "OD"	STATIC BEND RADIUS "R"	DYNAMIC BEND RADIUS "R"
30AWG	5.6MM	13.0MM	56MM

GENERAL TOLERANCE X± .X±0.40 .XX±0.30 .XXX±0.20	ANGLE TOLERANCE X°± .X°± .XX°± .XXX°±	DRAWN	DATE	
FINISH		CHECKED	DATE	
SCALE N/A		APPROVED		PART NUMBER 320-10540-XX
SHEET 2 OF 3		UNIT mm	DATE	DRAWING NO. 320-10540
				SIZE A4 REV. X1

PACKAGING:

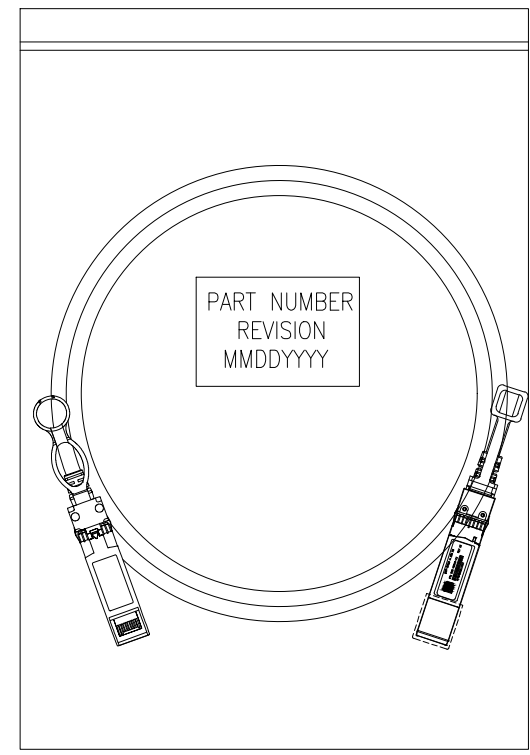
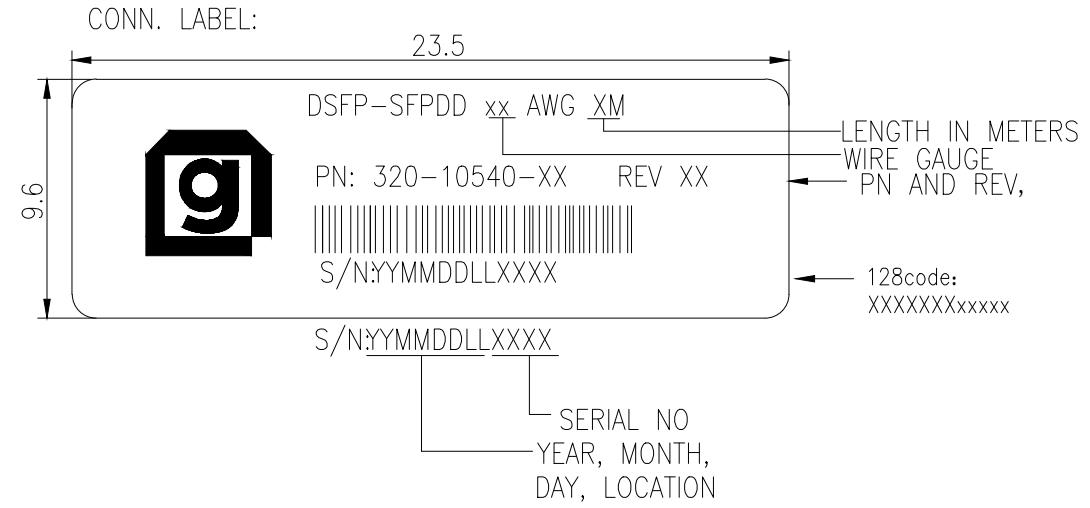


TABLE A

PART NUMBER	xx AWG	LENGTH
320-10540-01	30	1000±30
320-10540-02	30	2000±20
320-10540-03	30	3000±30

GENERAL TOLERANCE X.± .X±0.40 .XX±0.30 .XXX±0.20	ANGLE TOLERANCE X°± .X°± .XX°± .XXX°±	DRAWN	DATE	genesis connected solutions
		DESIGN	DATE	
MATERIAL		CHECKED	DATE	PART NUMBER. 320-10540-XX
SCALE N/A	UNIT mm	APPROVED	DATE	DRAWING NO. 320-10540
SHEET 3 OF 3				SIZE A4 REV. X1