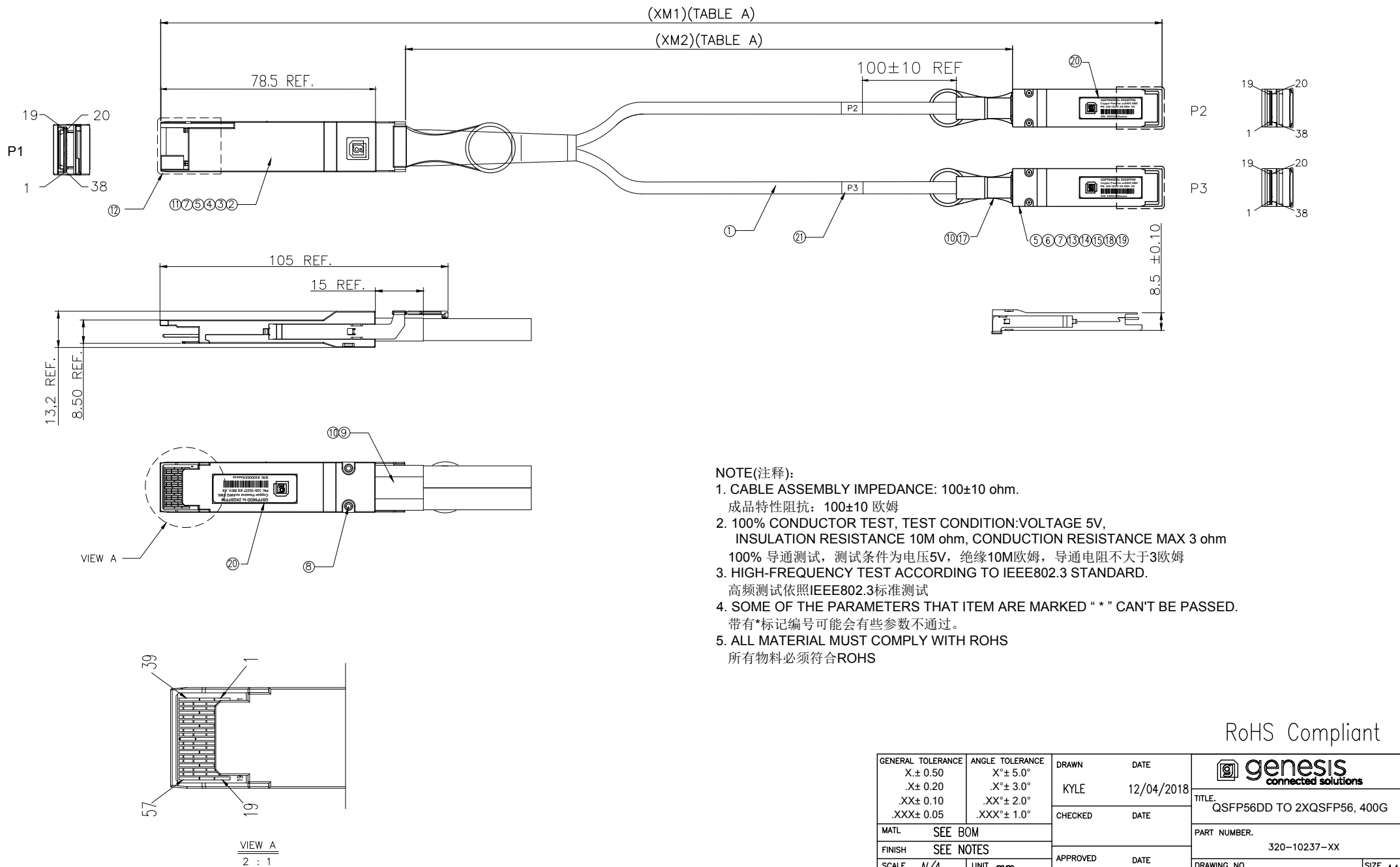


REV.	ECN. NO.	DESCRIPTION	ENG	DATE
X1		INITIAL	KYLE	11/12/18
X2		UPDATE PART NUMBER TABLE	KYLE	12/04/18



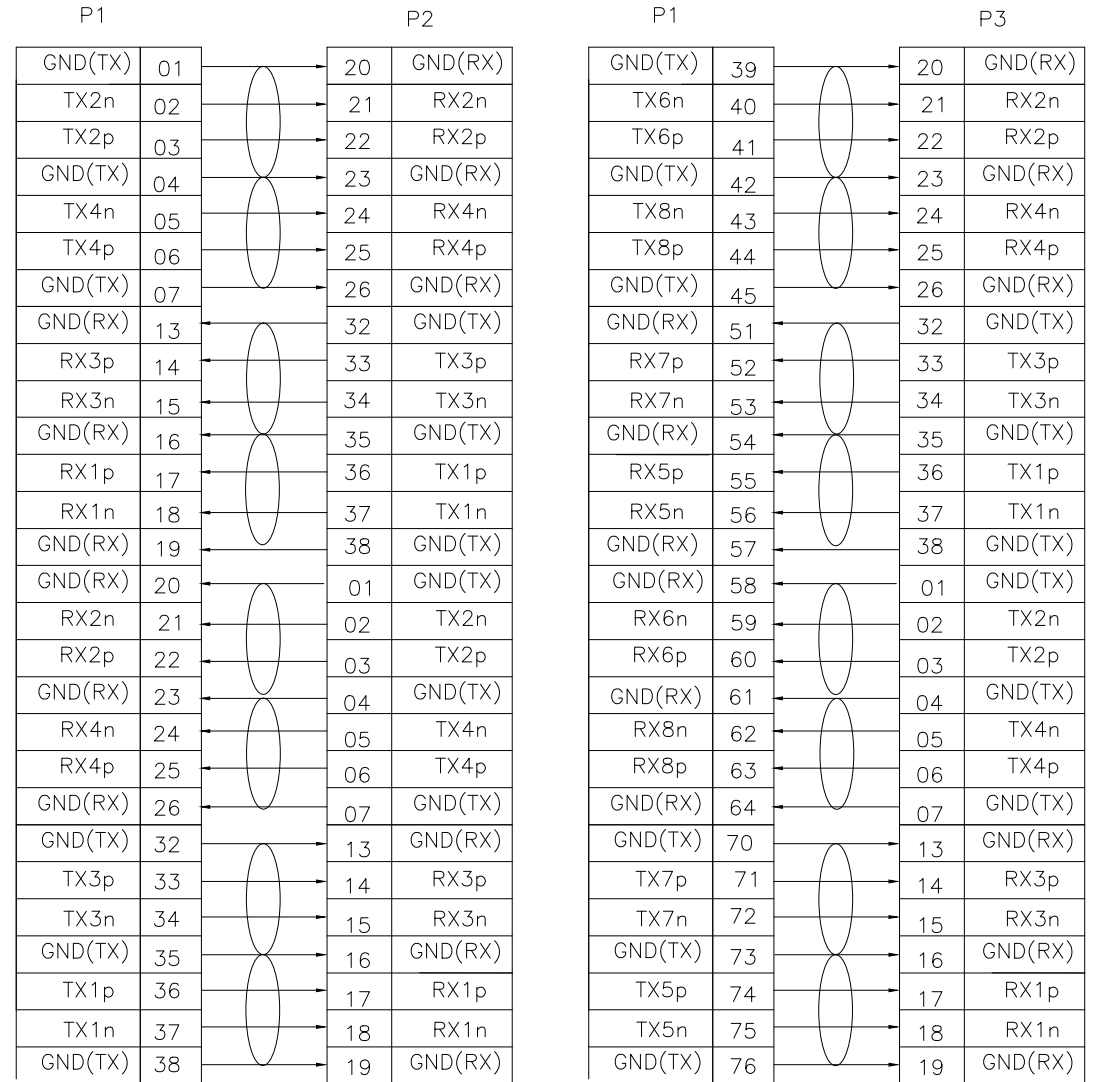
- NOTE(注释):
- CABLE ASSEMBLY IMPEDANCE: 100±10 ohm.  
成品特性阻抗: 100±10 欧姆
  - 100% CONDUCTOR TEST, TEST CONDITION: VOLTAGE 5V,  
INSULATION RESISTANCE 10M ohm, CONDUCTION RESISTANCE MAX 3 ohm  
100% 导通测试, 测试条件为电压5V, 绝缘10M欧姆, 导通电阻不大于3欧姆
  - HIGH-FREQUENCY TEST ACCORDING TO IEEE802.3 STANDARD.  
高频测试依照IEEE802.3标准测试
  - SOME OF THE PARAMETERS THAT ITEM ARE MARKED "\*" CAN'T BE PASSED.  
带有\*标记编号可能会有些参数不通过。
  - ALL MATERIAL MUST COMPLY WITH ROHS  
所有物料必须符合ROHS

RoHS Compliant

GENERAL TOLERANCE .X± 0.50 .X± 0.20 .XX± 0.10 .XXX± 0.05	ANGLE TOLERANCE X°± 5.0° .X°± 3.0° .XX°± 2.0° .XXX°± 1.0°	DRAWN KYLE	DATE 12/04/2018		TITLE QSFP56DD TO 2XQSFP56, 400G
MATL SEE BOM	FINISH SEE NOTES	CHECKED	DATE		PART NUMBER. 320-10237-XX
SCALE N/A	UNIT mm	APPROVED	DATE	DRAWING NO. 320-10237	SIZE A4
SHEET 1 OF 4					REV. X2

WIRING TABLE

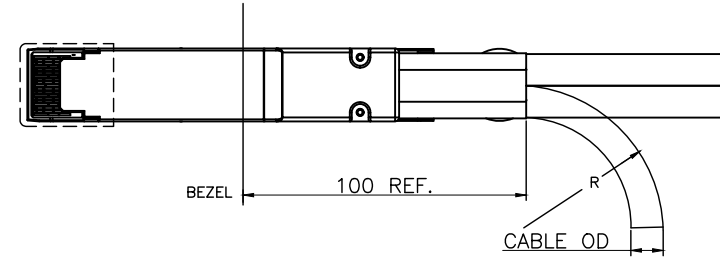
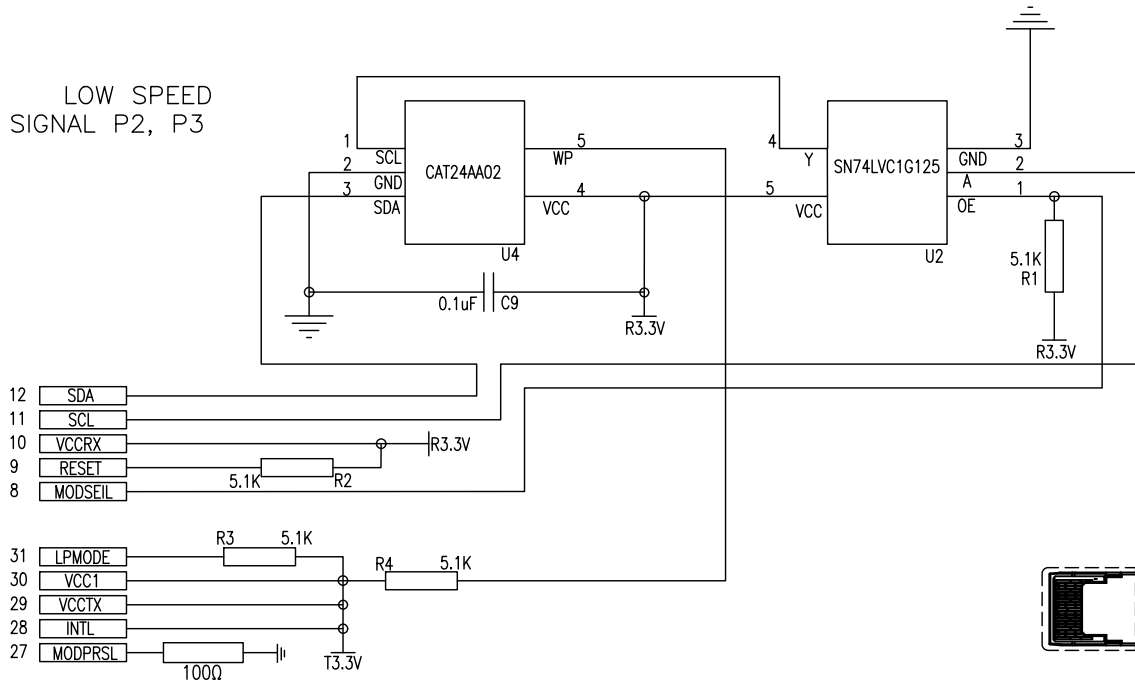
21	CABLE LABEL(线标)	CABLE LABEL, 10*40mm	2
20	CONN. LABEL(壳标)	BACK SHELL LABEL, 29.5*9.6mm	3
19	INNER MOLD(内模)	HOT-MELT GLUE	2
18	RIVET	ALUMINIUM ALLOY	2
17	COPPER(铜管)	COPPER	2
16	ZINC ALLOY FIXED TUBE(固定筒)	Zn ALLOY, PLATED Ni OVER Cu	2
15	QSFP56 PASSIVE PCBA	QSFP+ PCB, 38P, Au 30u"Min	2
14	QSFP56 BOTTOM SHELL	Zn ALLOY, PLATED Ni OVER Cu	2
13	QSFP56 TOP SHELL	Zn ALLOY, PLATED Ni OVER Cu	2
12	DUST COVER(防尘盖)	LDPE, NATURAL	3
11	INNER MOLD(内模)	HOT-MELT GLUE	A/R
10	HEAT SHRINKABLE TUBE(热缩套管)	HEAT SHRINKABLE TUBE(热缩套管)	A/R
9	COPPER FOIL (铜箔)	6.4X0.05mm	A/R
8	SCREW(螺丝)	SUS304	2
7	SPRING(弹簧)	HANDED ROTATION, SWPB	6
6	PULL TAB(拉带)	PA66 S1300, DEEP BLUE	3
5	LATCH(挂钩)	STAINLESS STEEL	3
4	BOTTOM SHELL(下壳)	Zn ALLOY, PLATED Ni OVER Cu	1
3	TOP SHELL(上壳)	Zn ALLOY, PLATED Ni OVER Cu	1
2	PCB ASSEMBLY(PCB 成品)	QSFPDD PCB, 38P, Au 30u"Min	1
1	RAW CABLE(线材)	8PAIRS, BLACK, ROHS, SEE TABLE A	A/R
ITEM	NAME	DESCRIPTION	QTY



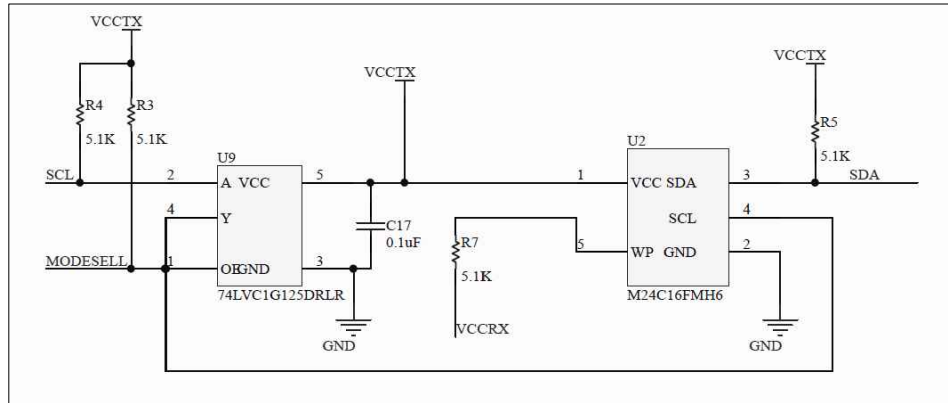
RoHS Compliant

GENERAL TOLERANCE X± 0.50 .X± 0.20 .XX± 0.10 .XXX± 0.05	ANGLE TOLERANCE X°± 5.0° .X°± 3.0° .XX°± 2.0° .XXX°± 1.0°	DRAWN KYLE	DATE 12/04/2018	
MATERIAL SEE BOM		CHECKED	DATE	
FINISH SEE NOTES		APPROVED	DATE	PART NUMBER 320-10237-XX
SCALE N/A	UNIT mm	SHEET 2 OF 4		DRAWING NO. 320-10237
				SIZE A4
				REV. X2

LOW SPEED  
SIGNAL P2, P3



QSFP-DD LOW SPEED  
SIGNAL P1

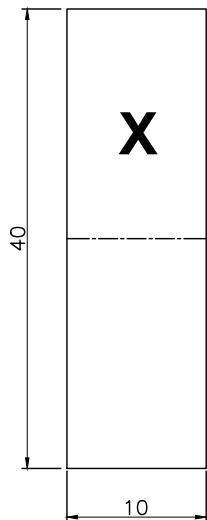


CABLE GAUGE	CABLE "OD"	STATIC BEND RADIUS "R"	DYNAMIC BEND RADIUS "R"
30AWG	6.1MM	30.5MM	61MM
26AWG	8.7MM	43.5MM	87MM
28AWG	7.1MM	35.5MM	71MM

RoHS Compliant

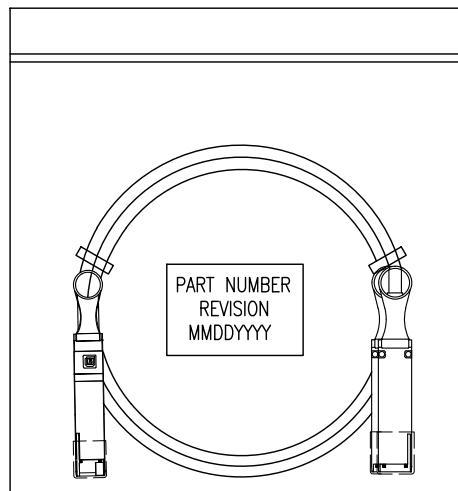
GENERAL TOLERANCE X ± 0.50 .X ± 0.20 .XX ± 0.10 .XXX ± 0.05	ANGLE TOLERANCE X° ± 5.0° .X° ± 3.0° .XX° ± 2.0° .XXX° ± 1.0°	DRAWN KYLE	DATE 12/04/2018	
MATERIAL SEE BOM		CHECKED	DATE	
FINISH SEE NOTES		APPROVED		PART NUMBER 320-10237-XX
SCALE N/A	UNIT mm	DATE		DRAWING NO. 320-10237
SHEET 3 OF 4				SIZE A4 REV. X2

⑳ CABLE LABEL(线标)



X: 1, 2, 3, 4

PACKAGING:



PART NUMBER	WIRE TYPE	xx AWG	XM1 LENGTH	XM2 LENGTH
320-10237-01	PVC	30	500±20	
320-10237-02	PVC	30	1000±30	
320-10237-03	PVC	30	1500±30	
320-10237-04	PVC	28	2000±40	
320-10237-05	PVC	28	2500±40	
320-10237-06	PVC	26	3000±50	
320-10237-07	LSZH	30	500±20	
320-10237-08	LSZH	30	1000±30	
320-10237-09	LSZH	30	1500±30	
320-10237-10	LSZH	28	2000±40	
320-10237-11	LSZH	28	2500±40	
320-10237-12	LSZH	26	3000±50	
320-10237-13	PVC	30		500±20
320-10237-14	PVC	30		1000±30
320-10237-15	PVC	30		1500±30
320-10237-16	PVC	28		2000±40
320-10237-17	PVC	28		2500±40
320-10237-18	PVC	26		3000±50
320-10237-19	LSZH	30		500±20
320-10237-20	LSZH	30		1000±30
320-10237-21	LSZH	30		1500±30
320-10237-22	LSZH	28		2000±40
320-10237-23	LSZH	28		2500±40
320-10237-24	LSZH	26		3000±50

㉑ CONN. LABEL(壳标):



RoHS Compliant

GENERAL TOLERANCE .X± 0.50 .X± 0.20 .XX± 0.10 .XXX± 0.05	ANGLE TOLERANCE X°± 5.0° .X°± 3.0° .XX°± 2.0° .XXX°± 1.0°	DRAWN KYLE	DATE 12/04/2018	 TITLE: QSFP56DD TO 2XQSFP56, 400G PART NUMBER: 320-10237-XX DRAWING NO. 320-10237 SIZE A4 REV. X2
MATL SEE BOM	FINISH SEE NOTES	CHECKED	DATE	
SCALE N/A	UNIT mm	APPROVED	DATE	
SHEET 4 OF 4				