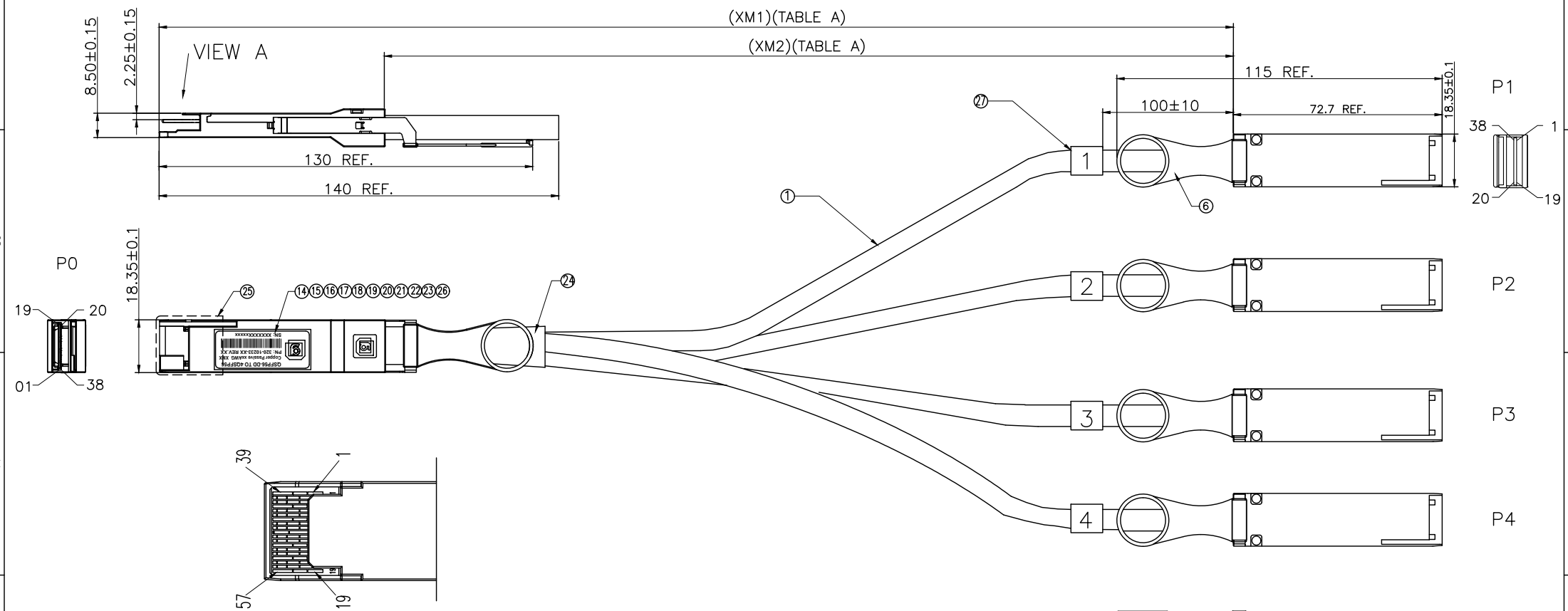
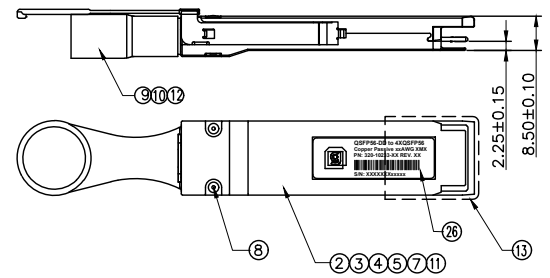


REV.	ECN. NO.	DESCRIPTION	ENG	DATE
X1		INITIAL	KYLE	11/9/18
X2		UPDATE PART NUMBER TABLE	KYLE	12/04/18



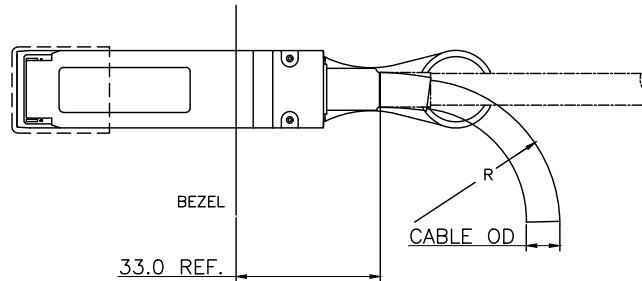
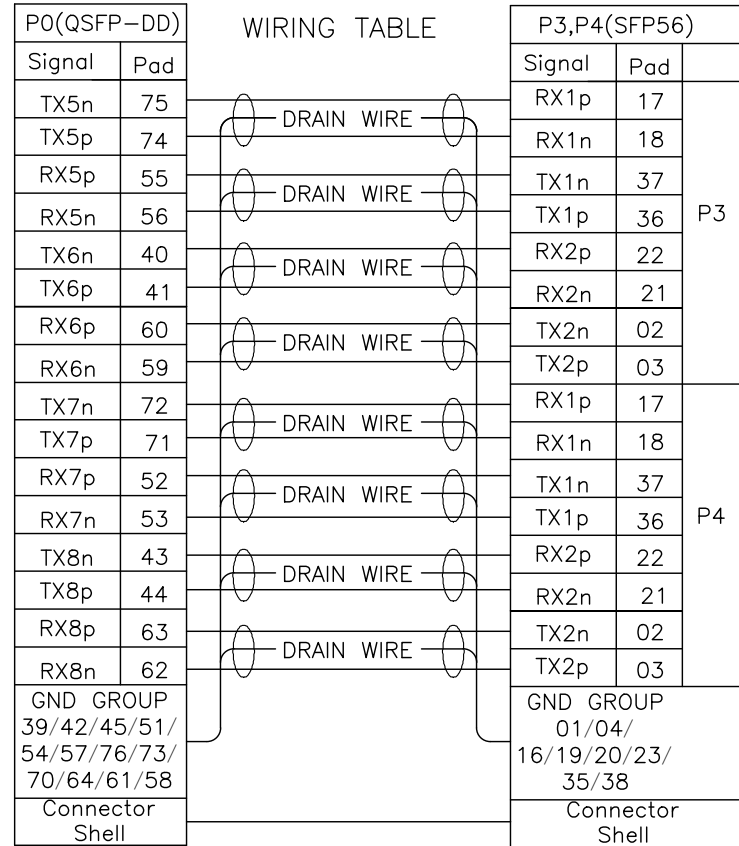
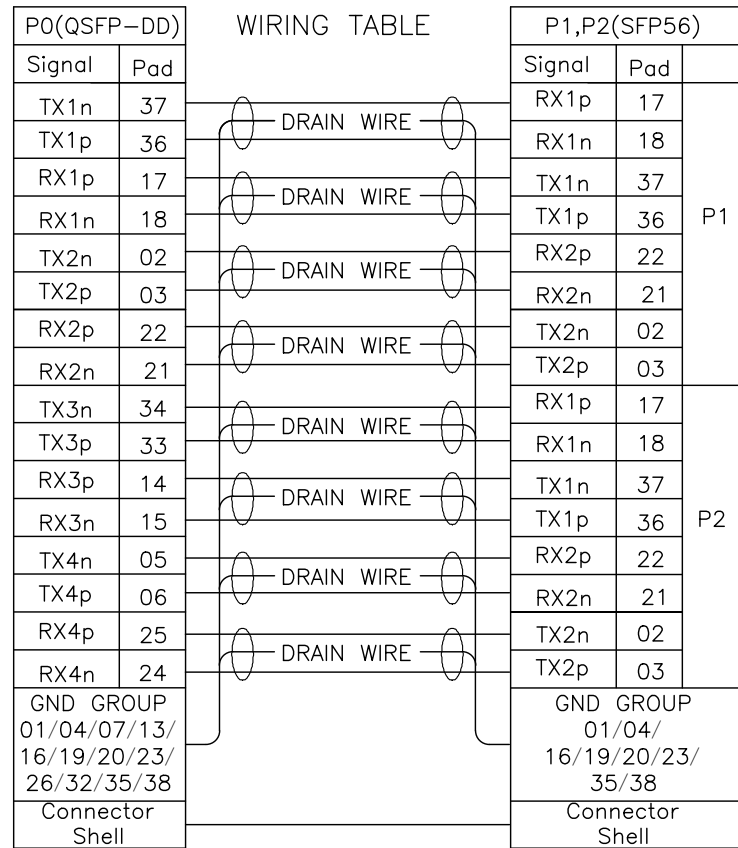
VIEW A  
2: 1

- NOTE(注释):
1. RAW CABLE IMPEDANCE:  $100^{+10}_5$  ohm, MATED CONNECTOR IMPEDANCE:  $100^{+10}_{15}$  ohm, R RISE TIME: 30ps(20%~80%).  
裸线特性阻抗:  $100^{+10}_5$  欧姆, 连接器接触区特性阻抗:  $100^{+10}_{15}$  欧姆, 上升沿时间: 30ps(20%~80%).
  2. 100% CONDUCTOR TEST, TEST CONDITION: VOLTAGE 5V, INSULATION RESISTANCE 10M ohm, CONDUCTION RESISTANCE MAX 2 ohm  
100% 导通测试, 测试条件为电压5V, 绝缘10M欧姆, 导通电阻不大于2欧姆
  3. SIGNAL INTEGRITY TEST ACCORDING TO IEEE802.3 STANDARD.  
信号完整性依照IEEE802.3标准测试
  4. PRODUCT MEET QSFP MSA AND SFP MSA,  
产品符合QSFP MSA 和SFP MSA规范
  5. ALL MATERIAL MUST COMPLY WITH ROHS  
所有物料必须符合ROHS



RoHS Compliant

GENERAL TOLERANCE X± 0.50 .X± 0.20 .XX± 0.10 .XXX± 0.05	ANGLE TOLERANCE X°± 5.0° .X°± 3.0° .XX°± 2.0° .XXX°± 1.0°	DRAWN KYLE	DATE 12/4/2018	
MATL SEE BOM	FINISH SEE NOTES	CHECKED	DATE	
SCALE N/A	UNIT mm	APPROVED	DATE	PART NUMBER. 320-10233-XX
SHEET 1 OF 4				DRAWING NO. 320-10233
				SIZE A4
				REV. X2

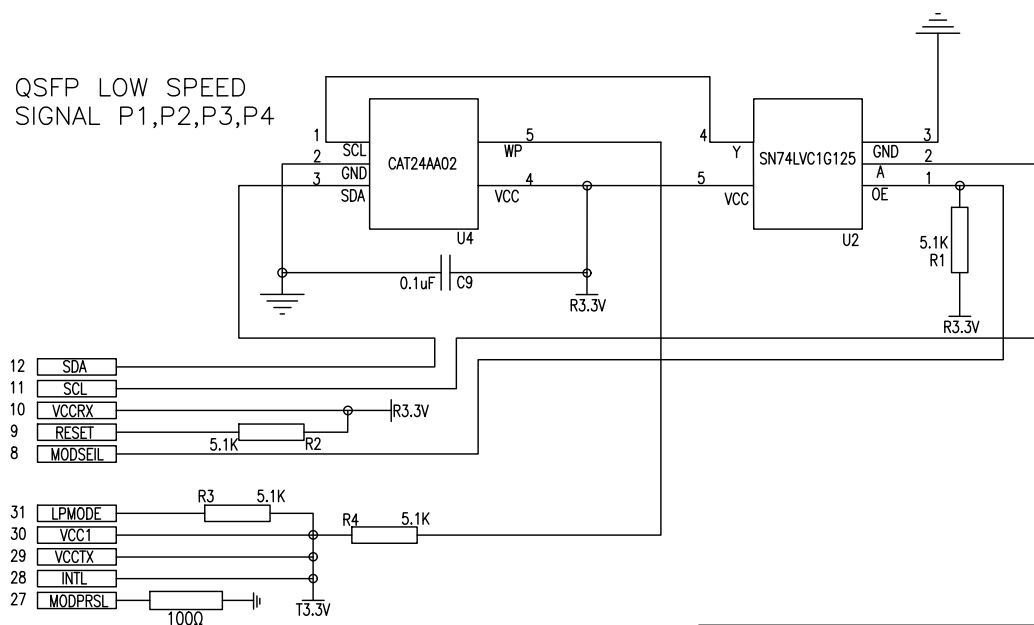


CABLE GAUGE	CABLE "OD"	STATIC BEND RADIUS "R"	DYNAMIC BEND RADIUS "R"
30AWG	5.5MM	27.5MM	55MM
26AWG	7.1MM	35.5MM	71MM
28AWG	5.6MM	28.0MM	56MM

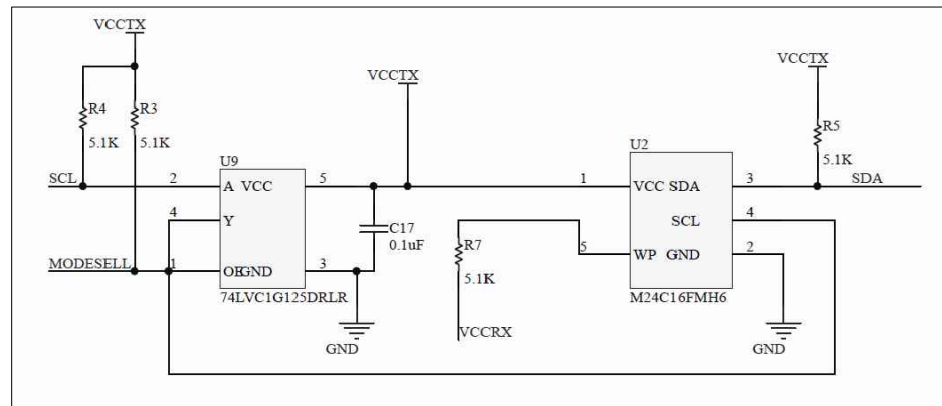
RoHS Compliant

GENERAL TOLERANCE X ± 0.50 .X ± 0.20 .XX ± 0.10 .XXX ± 0.05	ANGLE TOLERANCE X° ± 5.0° .X° ± 3.0° .XX° ± 2.0° .XXX° ± 1.0°	DRAWN KYLE	DATE 12/4/2018	
MATERIAL SEE BOM		CHECKED	DATE	
FINISH SEE NOTES		APPROVED		PART NUMBER 320-10233-XX
SCALE N/A	UNIT mm	SHEET 2 OF 4		DRAWING NO. 320-10233
				SIZE A4
				REV. X2

QSFP LOW SPEED  
SIGNAL P1,P2,P3,P4



QSFP-DD LOW SPEED  
SIGNAL P0



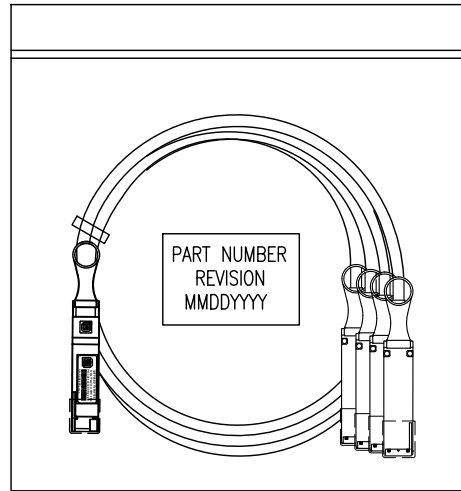
RoHS Compliant

GENERAL TOLERANCE X ± 0.50 .X ± 0.20 .XX ± 0.10 .XXX ± 0.05	ANGLE TOLERANCE X° ± 5.0° .X° ± 3.0° .XX° ± 2.0° .XXX° ± 1.0°	DRAWN KYLE	DATE 12/4/2018	
MATERIAL SEE BOM		CHECKED	DATE	
FINISH SEE NOTES		APPROVED	DATE	PART NUMBER 320-10233-XX
SCALE N/A	UNIT mm	SHEET 3 OF 4		DRAWING NO. 320-10233
				SIZE A4
				REV. X2

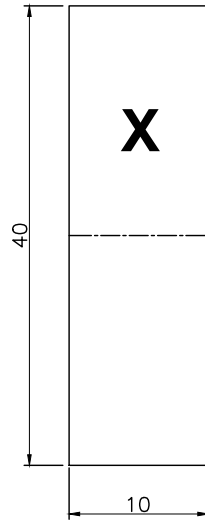
PROPRIETARY INFORMATION  
COMPANY CONFIDENTIAL

REV.	ECN. NO.	DESCRIPTION	ENG	DATE
		REFER TO PAGE 1		

PACKAGING:



⑰ CABLE LABEL(线标)



X: 1, 2, 3, 4

PART NUMBER	WIRE TYPE	xx AWG	XM1 LENGTH	XM2 LENGTH
320-10233-01	PVC	30	500±20	
320-10233-02	PVC	30	1000±30	
320-10233-03	PVC	30	1500±30	
320-10233-04	PVC	28	2000±40	
320-10233-05	PVC	28	2500±40	
320-10233-06	PVC	26	3000±50	
320-10233-07	LSZH	30	500±20	
320-10233-08	LSZH	30	1000±30	
320-10233-09	LSZH	30	1500±30	
320-10233-10	LSZH	28	2000±40	
320-10233-11	LSZH	28	2500±40	
320-10233-12	LSZH	26	3000±50	
320-10233-13	PVC	30		500±20
320-10233-14	PVC	30		1000±30
320-10233-15	PVC	30		1500±30
320-10233-16	PVC	28		2000±40
320-10233-17	PVC	28		2500±40
320-10233-18	PVC	26		3000±50
320-10233-19	LSZH	30		500±20
320-10233-20	LSZH	30		1000±30
320-10233-21	LSZH	30		1500±30
320-10233-22	LSZH	28		2000±40
320-10233-23	LSZH	28		2500±40
320-10233-24	LSZH	26		3000±50

27	CABLE LABEL(线标)	BLANK WHITE LABEL, 40*10	4
26	BACKSHELL LABEL(壳标)	WHITE LABEL, PET, 29.5X9.5MM	5
25	QSFP-DD DUST COVER(防尘盖)	LDPE, NATURAL	1
24	HEAT SHRINKABLE TUBE(热缩套管)	HEATSHRINK TUBING	A/R
23	QSFP INNER MOLD(内模)	HOT-MELT GLUE	A/R
22	UV GLUE(UV胶)	LOCTITE 3025	1
21	QSFP COPPER FILO(铜箔)	COPPER	1
20	QSFP-DD SCREW(螺钉)	ALUMINIUM ALLOY	2
19	QSFP-DD SPRING(弹簧)	HANDED ROTATION, SWPB	2
18	QSFP-DD PULL TAB(拉带)	PA66 S1300, SKY BLUE	1
17	QSFP-DD LATCH(挂钩)	STAINLESS STEEL	1
16	QSFP-DD BOTTOM SHELL(下壳)	Zn ALLOY, PLATED Ni OVER Cu	1
15	QSFP-DD TOP SHELL(上壳)	Zn ALLOY, PLATED Ni OVER Cu	1
14	QSFP-DD PCBA(PCB 成品)	QSFP-DD PCBA, 76P, Au 15u"Min	1
13	QSFP DUST COVER(防尘盖)	LDPE, NATURAL	4
12	HEAT SHRINKABLE TUBE(热缩套管)	ø9.5MM,	A/R
11	QSFP INNER MOLD(内模)	HOT-MELT GLUE	A/R
10	QSFP BRASS BUCKLE(铜扣)	BRASS, PLATED Ni	4
9	QSFP COPPER RING(铜环)	COPPER, PLATED Ni	4
8	QSFP RIVET(铆钉)	ALUMINIUM ALLOY	8
7	QSFP SPRING(弹簧)	HANDED ROTATION, SWPB	8
6	QSFP PULL TAB(拉带)	PA66 S1300, SKY BLUE	4
5	QSFP LATCH(挂钩)	STAINLESS STEEL	4
4	QSFP BOTTOM SHELL(下壳)	Zn ALLOY, PLATED Ni OVER Cu	4
3	QSFP TOP SHELL(上壳)	Zn ALLOY, PLATED Ni OVER Cu	4
2	QSFP56 PCB ASSEMBLY(PCB 成品)	QSFP56 PCB, 38P, Au 30u"Min	4
1	RAW CABLE(线材)	LEONI/BELDEN, 4PAIRS, BLACK, ROHS, TABLE A	A/R
ITEM	NAME	DESCRIPTION	Q'TY

⑰ CONN. LABEL(壳标):



RoHS Compliant

GENERAL TOLERANCE X± 0.50 .X± 0.20 .XX± 0.10 .XXX± 0.05	ANGLE TOLERANCE X°± 5.0° .X°± 3.0° .XX°± 2.0° .XXX°± 1.0°	DRAWN KYLE	DATE 12/4/2018	
MATERIAL SEE BOM		CHECKED	DATE	
FINISH SEE NOTES		APPROVED	DATE	TITLE QSFP56DD TO 4QSFP56, 400G,DAC
SCALE N/A	UNIT mm	PART NUMBER 320-10233-XX		DRAWING NO. 320-10233
SHEET 4 OF 4		SIZE A4		REV. X2