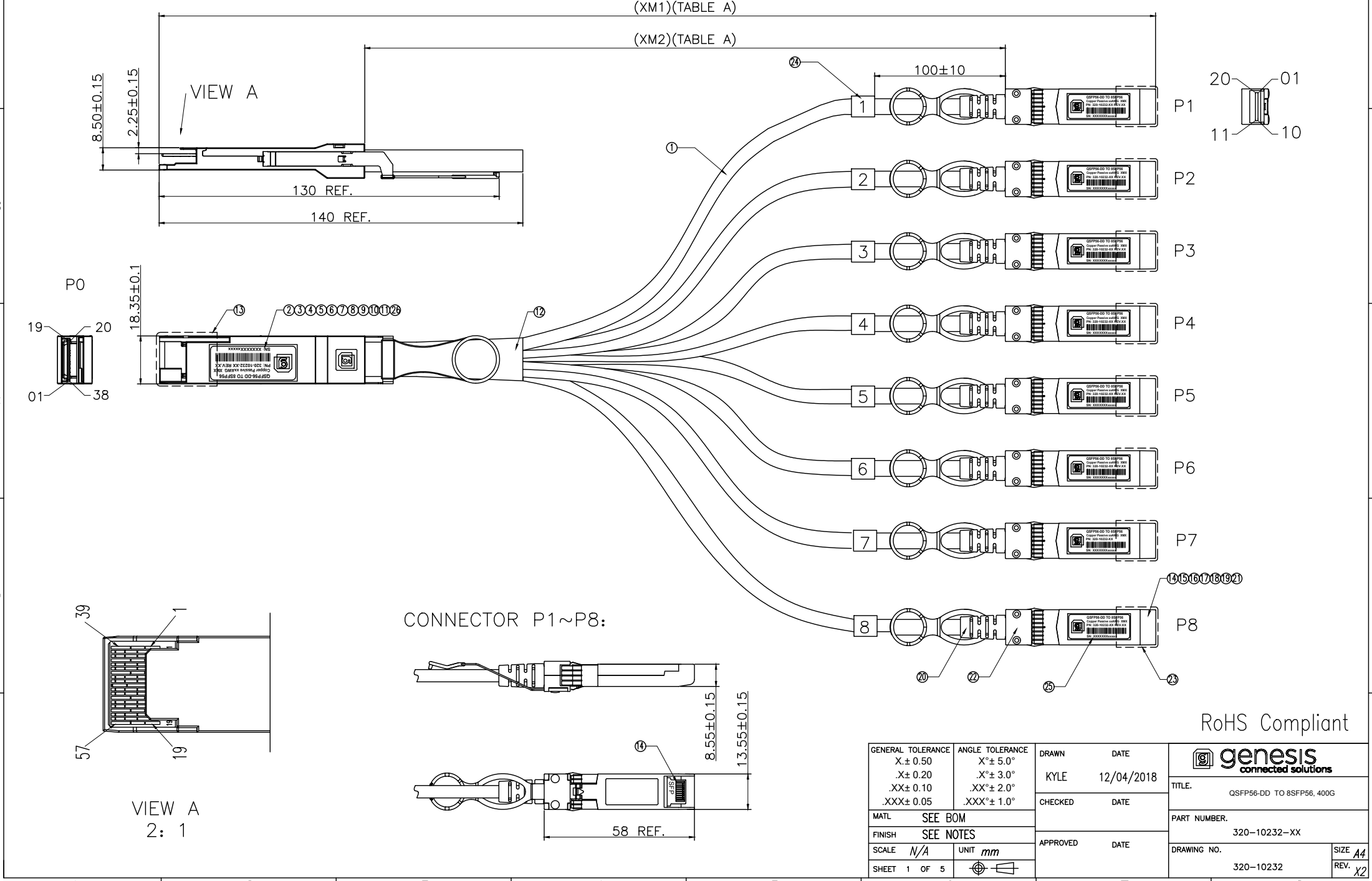


PROPRIETARY INFORMATION
COMPANY CONFIDENTIAL

REV.	ECN. NO.	DESCRIPTION	ENG	DATE
X1		INITIAL	KYLE	11/08/18'
X2		UPDATE PART NUMBER TABLE	KYLE	12/04/18'



RoHS Compliant

GENERAL TOLERANCE X.± 0.50 .X± 0.20 .XX± 0.10 .XXX± 0.05	ANGLE TOLERANCE X°± 5.0° .X°± 3.0° .XX°± 2.0° .XXX°± 1.0°	DRAWN KYLE	DATE 12/04/2018
MATL SEE BOM	FINISH SEE NOTES	CHECKED	DATE
SCALE N/A	UNIT mm	APPROVED	DATE
SHEET 1 OF 5			

TITLE: QSFP56-DD TO 8SFP56, 400G	
PART NUMBER: 320-10232-XX	
DRAWING NO. 320-10232	SIZE A4 REV. X2


PROPRIETARY INFORMATION
COMPANY CONFIDENTIAL

REV.	ECN. NO.	DESCRIPTION	ENG	DATE
		REFER TO PAGE 1		

25	BACKSHELL LABEL(壳标)	BACK SHELL LABEL, 29.5*9.6mm	1
25	BACKSHELL LABEL(壳标)	BACK SHELL LABEL, 23.5*9.6mm	8
24	CABLE LABEL(线标)	BLANK WHITE LABEL, 40*10	8
23	SFP DUST COVER(防尘盖)	LDPE, NATURAL	8
22	CONDUCTIVE TAPE(导电布胶带)	W=10MM, T=0.05MM	A/R
21	SFP INNER MOLD(内模)	HOT-MELT GLUE	A/R
20	SFP SR(网尾)	PVC 45P BLACK	8
19	SFP RIVET(铆钉)	ALUMINIUM ALLOY	16
18	SFP EMI SHELL(EMI 弹片)	STAINLESS STEEL SUS301	8
17	SFP PULL TAB(拉带)	PULL RING, PA66 S1300, SKY BLUE	8
16	SFP BOTTOM SHELL(下壳)	Zn ALLOY, PLATED Ni OVER Cu	8
15	SFP TOP SHELL(上壳)	Zn ALLOY, PLATED Ni OVER Cu	8
14	SFP56 PCB ASSEMBLY(PCB 成品)	SFP56 PCB, 20P, Au 30u*Min	8
13	QSFP-DD DUST COVER(防尘盖)	LDPE, NATURAL	1
12	HEAT SHRINKABLE TUBE(热缩套管)	Ø17MM, 94V-0	A/R
11	QSFP INNER MOLD(内模)	HOT-MELT GLUE	A/R
10	UV GLUE(UV胶)	LOCTITE 3025	1
9	QSFP COPPER FILO(铜箔)	COPPER	1
8	QSFP-DD SCREW(螺钉)	ALUMINIUM ALLOY	2
7	QSFP-DD SPRING(弹簧)	HANDED ROTATION, SWPB	2
6	QSFP-DD PULL TAB(拉带)	PA66 S1300, SKY BLUE	1
5	QSFP-DD LATCH(挂钩)	STAINLESS STEEL	1
4	QSFP-DD BOTTOM SHELL(下壳)	Zn ALLOY, PLATED Ni OVER Cu	1
3	QSFP-DD TOP SHELL(上壳)	Zn ALLOY, PLATED Ni OVER Cu	1
2	QSFP-DD PCBA(PCB 成品)	QSFP-DD PCBA, 76P, Au 15u*Min	1
1	RAW CABLE(线材)	LEONI/BELDEN, 2PAIRS, BLACK, ROHS, TABLE A	A/R
ITEM	NAME	DESCRIPTION	Q'TY

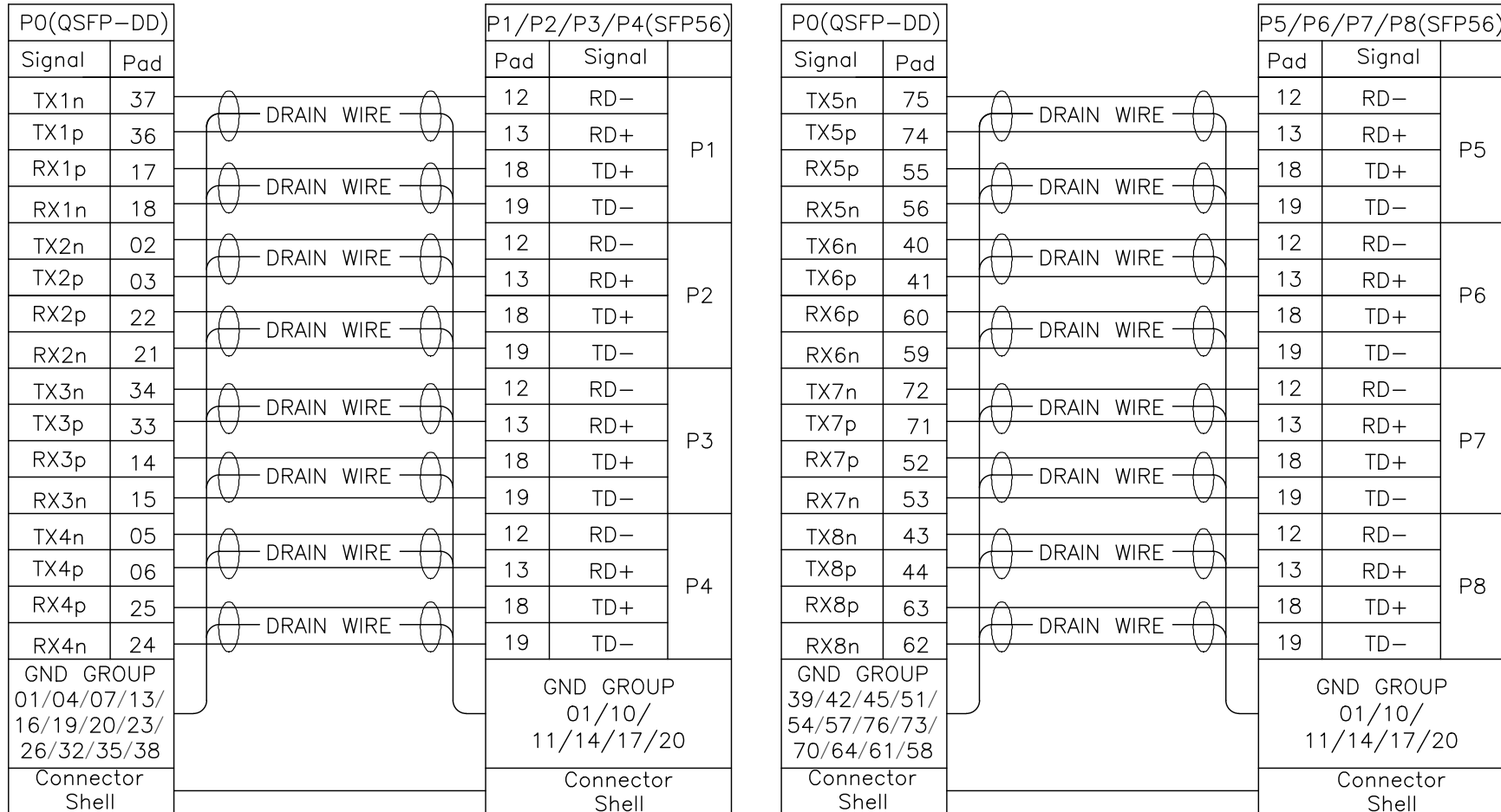
NOTE(注释):
 1. CABLE ASSEMBLY IMPEDANCE: 100±10 ohm.
 成品特性阻抗: 100±10 欧姆
 2. 100% CONDUCTOR TEST, TEST CONDITION:VOLTAGE 5V,
 INSULATION RESISTANCE 10M ohm, CONDUCTION RESISTANCE MAX 3 ohm
 100% 导通测试, 测试条件为电压5V, 绝缘10M欧姆, 导通电阻不大于3欧姆
 3. HIGH-FREQUENCY TEST ACCORDING TO IEEE802.3 STANDARD.
 高频测试依照IEEE802.3标准测试
 4. PRODUCT MEET QSFP-DD MSA AND SFP MSA,
 产品符合QSFP-DD MSA 和SFP MSA规范
 5. ALL MATERIAL MUST COMPLY WITH ROHS
 所有物料必须符合ROHS

RoHS Compliant

GENERAL TOLERANCE .X± 0.50 .X± 0.20 .XX± 0.10 .XXX± 0.05	ANGLE TOLERANCE X°± 5.0° .X°± 3.0° .XX°± 2.0° .XXX°± 1.0°	DRAWN KYLE	DATE 12/04/2018	 TITLE QSFP56-DD TO 8SFP56, 400G
MATERIAL SEE BOM		CHECKED	DATE	
FINISH SEE NOTES		APPROVED	DATE	DRAWING NO. 320-10232
SCALE N/A	UNIT mm	SHEET 2 OF 5		SIZE A4 REV. X2

REV.	ECN. NO.	DESCRIPTION	ENG	DATE
		REFER TO PAGE 1		

WIRING TABLE

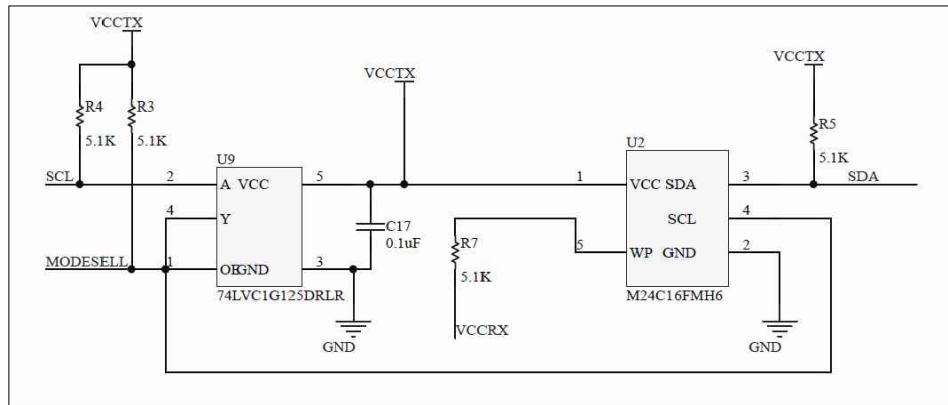


RoHS Compliant

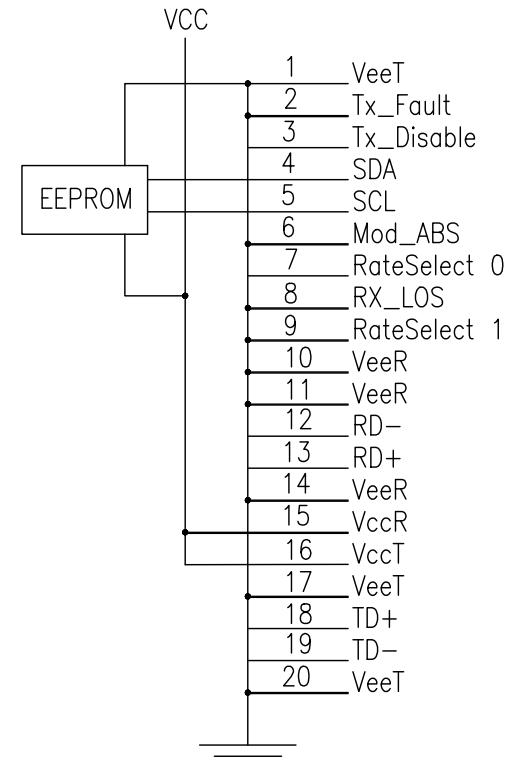
GENERAL TOLERANCE X.± 0.50 .X± 0.20 .XX± 0.10 .XXX± 0.05	ANGLE TOLERANCE X°± 5.0° .X°± 3.0° .XX°± 2.0° .XXX°± 1.0°	DRAWN KYLE	DATE 12/04/2018	
MATERIAL SEE BOM		CHECKED	DATE	
FINISH SEE NOTES		APPROVED	DATE	PART NUMBER 320-10232-XX
SCALE N/A	UNIT mm	SHEET 3 OF 5		DRAWING NO. 320-10232
				SIZE A4
				REV. X2

REV.	ECN. NO.	DESCRIPTION	ENG	DATE
		REFER TO PAGE 1		

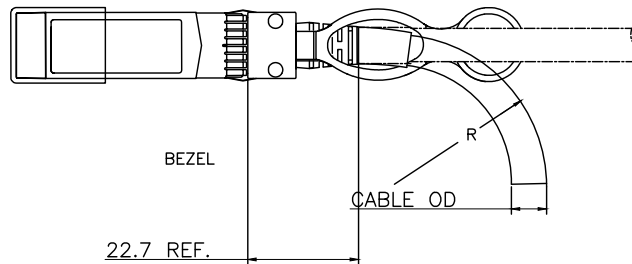
QSFP-DD LOW SPEED
SIGNAL P0



SFP LOW SPEED
SIGNAL P1-P8



NOTE: VeeT=Veer



CABLE GAUGE	CABLE "OD"	STATIC BEND RADIUS "R"	DYNAMIC BEND RADIUS "R"
30AWG	4.5MM	22.5MM	45MM
28AWG	4.8MM	24.0MM	48MM
26AWG	5.1MM	25.5MM	51MM

RoHS Compliant

GENERAL TOLERANCE X.± 0.50 .X± 0.20 .XX± 0.10 .XXX± 0.05	ANGLE TOLERANCE X°± 5.0° .X°± 3.0° .XX°± 2.0° .XXX°± 1.0°	DRAWN KYLE	DATE 12/04/2018	
MATERIAL SEE BOM		CHECKED	DATE	
FINISH SEE NOTES		APPROVED		PART NUMBER 320-10232-XX
SCALE N/A	UNIT mm	DATE		DRAWING NO. 320-10232
SHEET 4 OF 5				SIZE A4 REV. X2

REV.	ECN. NO.	DESCRIPTION	ENG	DATE
		REFER TO PAGE 1		

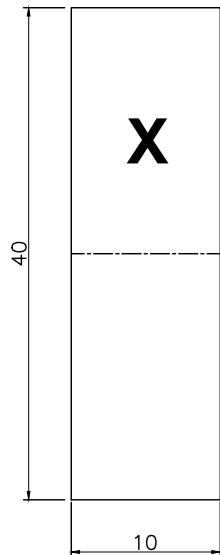
②⑤ CONN. LABEL(壳标):



TABLE A

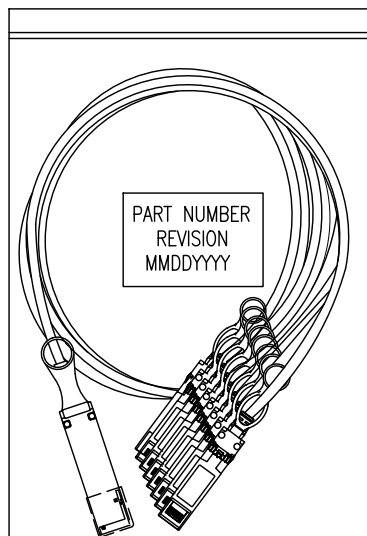
PART NUMBER	WIRE TYPE	xx AWG	XM1 LENGTH	XM2 LENGTH
320-10232-01	PVC	30	500±20	
320-10232-02	PVC	30	1000±30	
320-10232-03	PVC	30	1500±30	
320-10232-04	PVC	28	2000±30	
320-10232-05	PVC	28	2500±30	
320-10232-06	PVC	26	3000±40	
320-10232-07	LSZH	30	500±20	
320-10232-08	LSZH	30	1000±30	
320-10232-09	LSZH	30	1500±30	
320-10232-10	LSZH	28	2000±30	
320-10232-11	LSZH	28	2500±30	
320-10232-12	LSZH	26	3000±40	
320-10232-13	PVC	30		500±20
320-10232-14	PVC	30		1000±30
320-10232-15	PVC	30		1500±30
320-10232-16	PVC	28		2000±30
320-10232-17	PVC	28		2500±30
320-10232-18	PVC	26		3000±40
320-10232-19	LSZH	30		500±20
320-10232-20	LSZH	30		1000±30
320-10232-21	LSZH	30		1500±30
320-10232-22	LSZH	28		2000±30
320-10232-23	LSZH	28		2500±30
320-10232-24	LSZH	26		3000±40

②④ CABLE LABEL(线标)



X: 1, 2...8

PACKAGING:



RoHS Compliant

GENERAL TOLERANCE X.± 0.50 .X± 0.20 .XX± 0.10 .XXX± 0.05	ANGLE TOLERANCE X°± 5.0° .X°± 3.0° .XX°± 2.0° .XXX°± 1.0°	DRAWN KYLE	DATE 12/04/2018		TITLE QSFP56-DD TO 8SFP56, 400G
MATL SEE BOM	FINISH SEE NOTES	CHECKED	DATE		PART NUMBER 320-10232-XX
SCALE N/A	UNIT mm	APPROVED	DATE	DRAWING NO. 320-10232	SIZE A4 REV. X2
SHEET 5 OF 5					