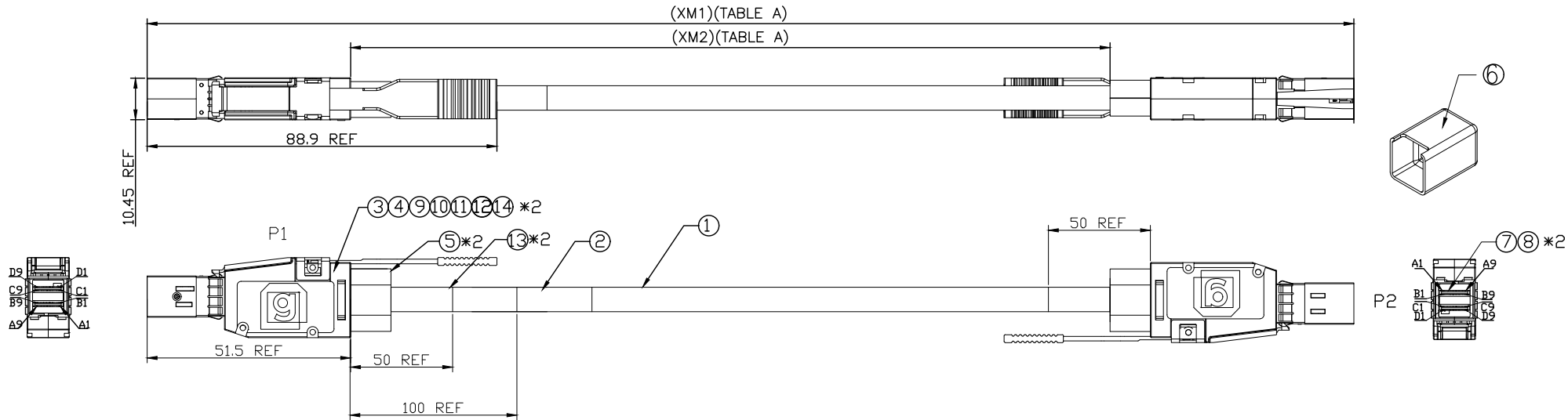


PROPRIETARY INFORMATION  
COMPANY CONFIDENTIAL

REV.	ECN. NO.	DESCRIPTION	ENG	DATE
X1		INITIAL	KYLE	10/09/2018
X2		CORRECT PART NUMBER TABLE	KYLE	10/29/2018
X3		UPDATE BOM, P/N TABLE & BEND RADIUS	KYLE	12/03/2018



14	EEPROM	2	EEPROM, 2K 24C02	
13	HEATSHRINK	A/R	HEATSHRINK, TUBING	
12	EMI SPRING	2	EMI SPRING FOR SFF-8644	
11	PULL TAB	2	PULL TAB FOR SFF-8644	
10	RIVET	6	RIVET FOR SFF-8644	
9	LATCH	2	LATCH FOR SFF-8644	
8	PCB	2	EXT MINI SAS HD PCB A,B	
7	PCB	2	EXT MINI SAS HD PCB C,D	
6	DUST COVER	2	DUST COVER FOR SFF-8644, PE, NATURAL	
5	STRAIN RELIEF	2	CABLE SR FOR EXT HD-SAS,PVC, BLACK.	
4	INNER MOLD	2	INNER MOLDING FOR EXT HD-SAS,	
3	SHELL	2	TOP, BOTTOM SHELL FOR SFF-8644	
2	LABEL	2	ID LABEL, 60*30MM	
1	RAW CABLE	A/R	8P*28AWG CABLE, BLACK, PVC	
ITEM	NAME	QTY	DESCRIPTION	NOTE

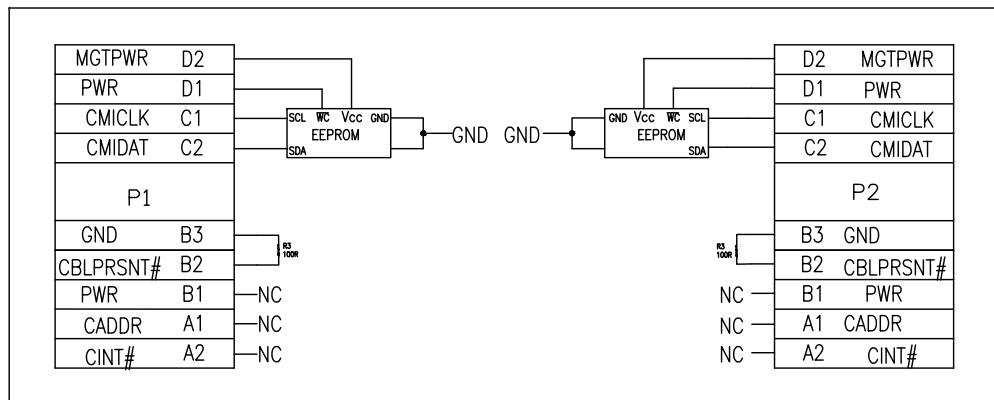
MATERIAL RoHS COMPLIANT:

- CABLE :  
CONDUCTOR: SOLID SILVER PLATED COPPER  
INSULATION: Skin-Foam-Skin  
DRAIN WIRE: TINNED COPPER  
PAIR SHIELD: HOT MELT ALUMINUM MYLAR
- LEFT /RIGHT SHELL: ZINC ALLOY NICKEL PLATED
- THIS PRODUCT CONFORMS TO THE MECHANICAL DIMENSIONING REQUIREMENTS OF SFF-8644
- STRUCTURE DIMENSION ACCORDING TO SFF-8644

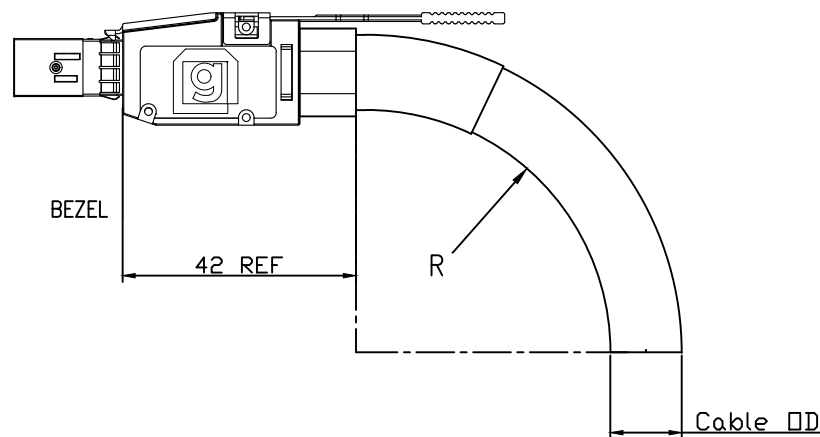
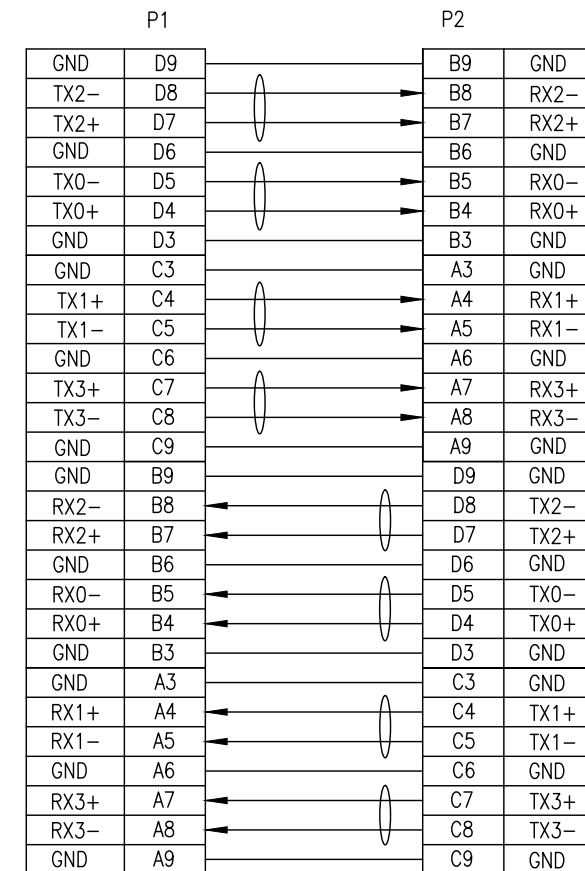
RoHS Compliant

GENERAL TOLERANCE X.± 0.50 .X± 0.20 .XX± 0.10 .XXX± 0.05	ANGLE TOLERANCE X°± 5.0° .X°± 3.0° .XX°± 2.0° .XXX°± 1.0°	DRAWN KYLE	DATE 12/03/2018	
MATERIAL SEE BOM		CHECKED	DATE	
FINISH SEE NOTES		APPROVED	DATE	PART NUMBER. 320-10186-XX
SCALE N/A	UNIT mm	SHEET 1 OF 3		DRAWING NO. 320-10186
				SIZE A4
				REV. X3

### LOW SPEED CONTROL



### WIRING TABLE HIGH SPEED SIGNAL LANES

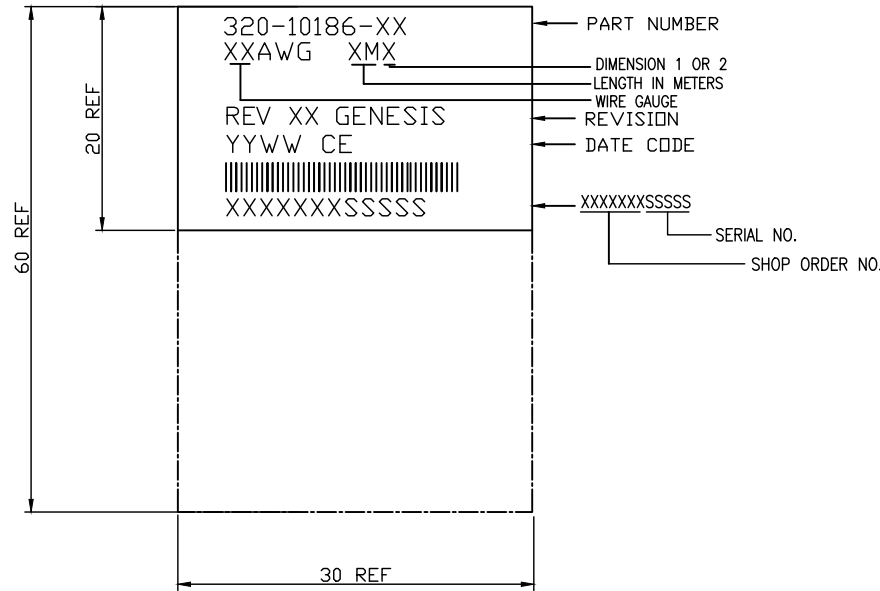


CABLE GAUGE	CABLE "OD"	STATIC BEND RADIUS "R"	DYNAMIC BEND RADIUS "R"
30AWG	6.6MM	33.0MM	66MM
28AWG	7.4MM	37.0MM	74MM
26AWG	8.4MM	42.0MM	84MM

RoHS Compliant

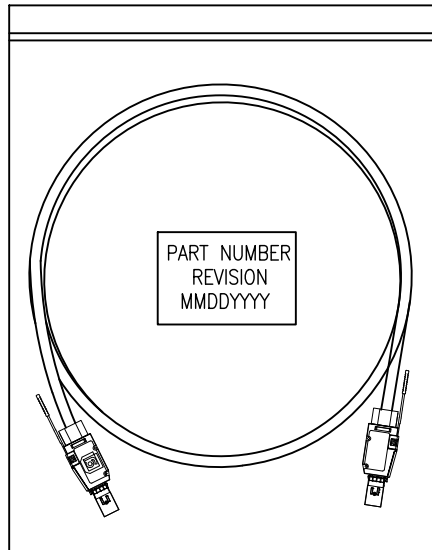
GENERAL TOLERANCE X.± 0.50 .X± 0.20 .XX± 0.10 .XXX± 0.05	ANGLE TOLERANCE X°± 5.0° .X°± 3.0° .XX°± 2.0° .XXX°± 1.0°	DRAWN KYLE	DATE 12/03/2018	
MATERIAL SEE BOM		CHECKED	DATE	
FINISH SEE NOTES		APPROVED		PART NUMBER 320-10186-XX
SCALE N/A	UNIT mm	DATE		DRAWING NO. 320-10186
SHEET 2 OF 3				SIZE A4 REV. X3

# LABEL INFORMATION



PART NUMBER	WIRE TYPE	xx AWG	XM1 LENGTH	XM2 LENGTH
320-10186-01	PVC	30	500±20	
320-10186-02	PVC	28	1000±30	
320-10186-03	PVC	28	2000±30	
320-10186-04	PVC	28	3000±40	
320-10186-05	PVC	26	4000±40	
320-10186-06	PVC	26	5000±50	
320-10186-07				
320-10186-08	LSZH	30	500±20	
320-10186-09	LSZH	28	1000±30	
320-10186-10	LSZH	28	2000±30	
320-10186-11	LSZH	28	3000±40	
320-10186-12	LSZH	26	5000±50	
320-10186-13	LSZH	26	5000±50	
320-10186-14				
320-10186-15	PVC	30		500±20
320-10186-16	PVC	28		1000±30
320-10186-17	PVC	28		2000±30
320-10186-18	PVC	28		3000±40
320-10186-19	PVC	26		4000±40
320-10186-20	PVC	26		5000±50
320-10186-21				
320-10186-22	LSZH	30		500±20
320-10186-23	LSZH	28		1000±30
320-10186-24	LSZH	28		2000±30
320-10186-25	LSZH	28		3000±40
320-10186-26	LSZH	26		4000±40
320-10186-27	LSZH	26		5000±50

## PACKAGING:



RoHS Compliant

GENERAL TOLERANCE X.± 0.50 .X± 0.20 .XX± 0.10 .XXX± 0.05	ANGLE TOLERANCE X°± 5.0° .X°± 3.0° .XX°± 2.0° .XXX°± 1.0°	DRAWN KYLE	DATE 12/03/2018	
MATERIAL SEE BOM		CHECKED	DATE	
FINISH SEE NOTES		APPROVED		PART NUMBER 320-10186-XX
SCALE N/A	UNIT mm	DATE		DRAWING NO. 320-10186
SHEET 3 OF 3				SIZE A4 REV. X3