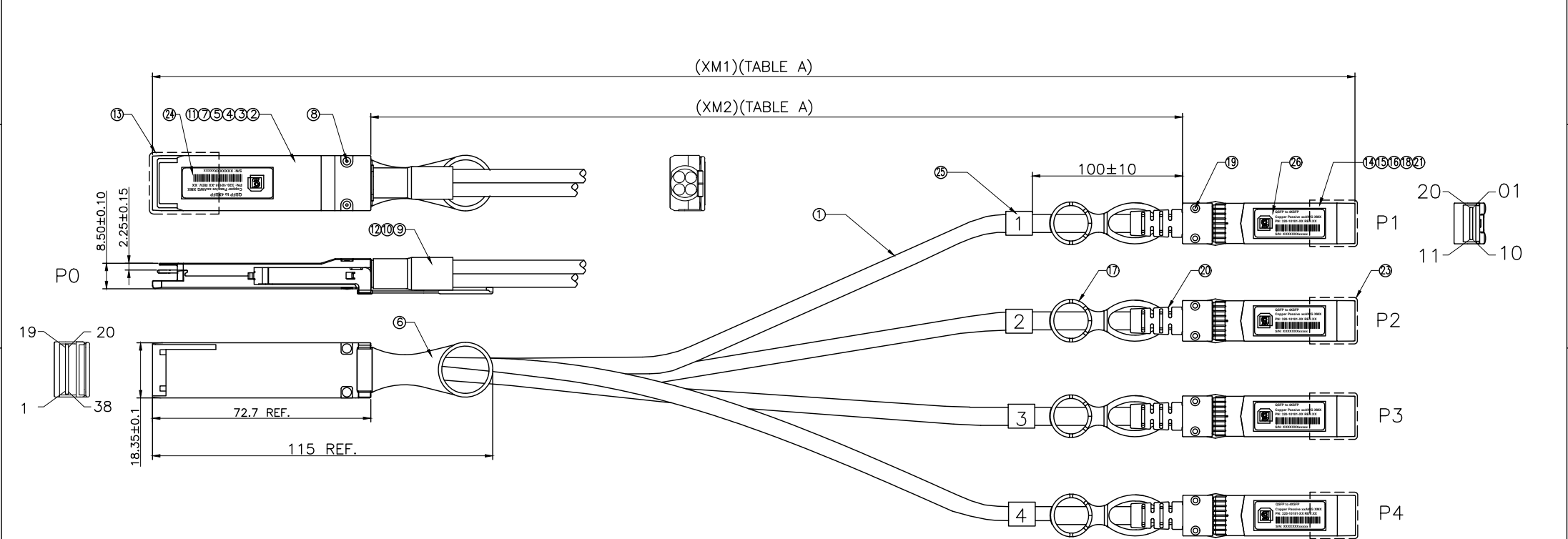
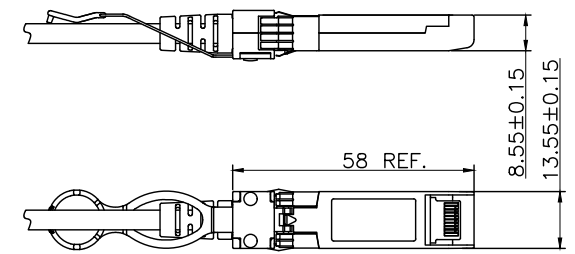


REV.	ECN. NO.	DESCRIPTION	ENG	DATE
X1		INITIAL	KYLE	10/03/18
X2		add 30awg 3m	KYLE	11/30/18



NOTE(注释):

1. RAW CABLE IMPEDANCE: 100_{-5}^{+10} ohm, MATED CONNECTOR IMPEDANCE: 100_{-15}^{+10} ohm, R RISE TIME: 30ps(20%~80%).
裸线特性阻抗: 100_{-5}^{+10} 欧姆, 连接器接触区特性阻抗: 100_{-15}^{+10} 欧姆, 上升沿时间: 30ps(20%~80%).
2. 100% CONDUCTOR TEST, TEST CONDITION: VOLTAGE 5V, INSULATION RESISTANCE 10M ohm, CONDUCTION RESISTANCE MAX 2 ohm
100% 导通测试, 测试条件为电压5V, 绝缘10M欧姆, 导通电阻不大于2欧姆
3. SIGNAL INTEGRITY TEST ACCORDING TO IEEE802.3 STANDARD.
信号完整性依照IEEE802.3标准测试
4. PRODUCT MEET QSFP MSA AND SFP MSA,
产品符合QSFP MSA 和SFP MSA规范
5. ALL MATERIAL MUST COMPLY WITH ROHS
所有物料必须符合ROHS

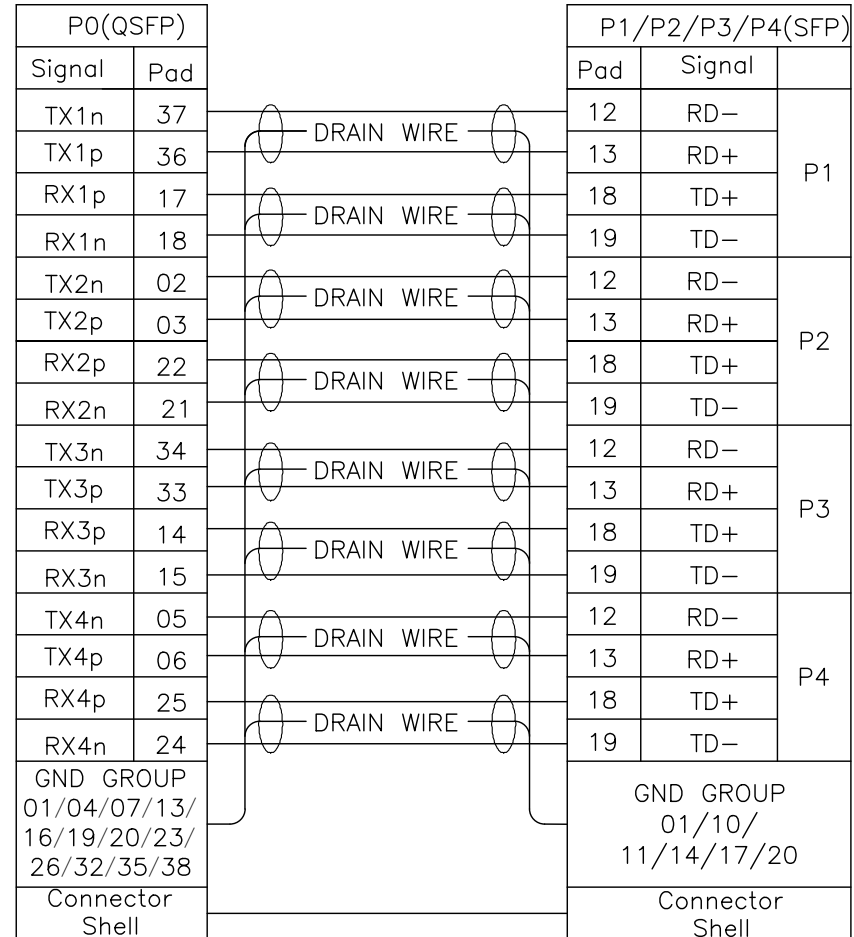


RoHS Compliant

GENERAL TOLERANCE X± 0.50 .X± 0.20 .XX± 0.10 .XXX± 0.05	ANGLE TOLERANCE X°± 5.0° .X°± 3.0° .XX°± 2.0° .XXX°± 1.0°	DRAWN KYLE	DATE 11/30/2018	
MATL SEE BOM	FINISH SEE NOTES	CHECKED	DATE	
SCALE N/A	UNIT mm	APPROVED	DATE	PART NUMBER 320-10181-01
SHEET 1 OF 4				DRAWING NO. 320-10181
				SIZE A4
				REV. X2

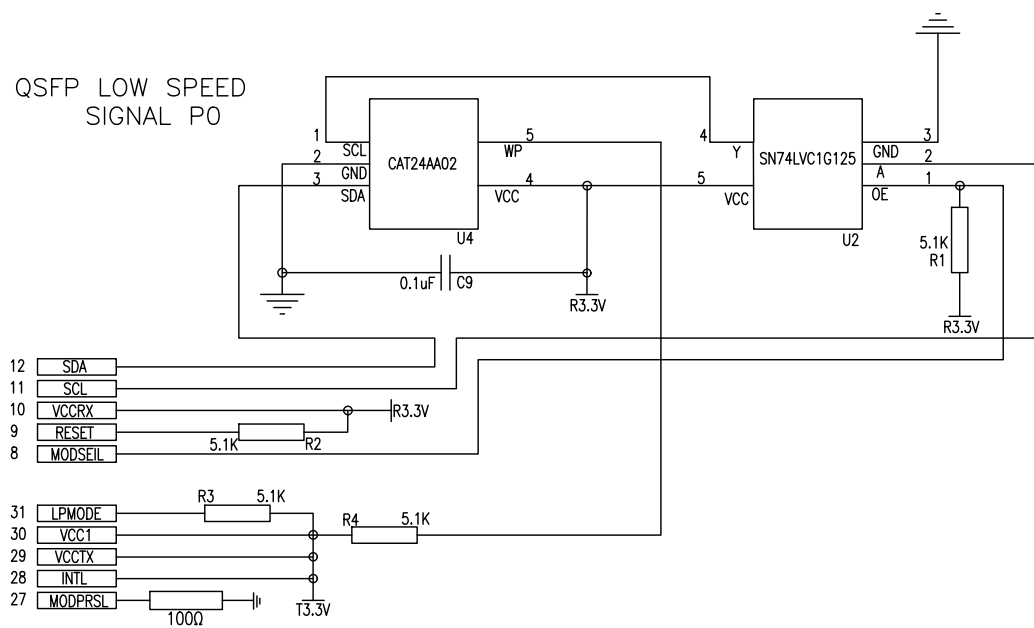
WIRING TABLE

26	SFP BACKSHELL LABEL(壳标)	BACK SHELL LABEL, 23.5*9.6mm	4
25	CABLE LABEL(线标)	BLANK WHITE LABEL, 40*10	4
24	QSFP BACKSHELL LABEL(壳标)	WHITE LABEL, PET, 29.5X9.5MM	1
23	SFP DUST COVER(防尘盖)	LDPE, NATURAL	4
22	CONDUCTIVE TAPE(导电布胶带)	W=10MM, T=0.05MM	A/R
21	SFP INNER MOLD(内模)	HOT-MELT GLUE	A/R
20	SFP SR(网尾)	PVC 45P BLACK	4
19	SFP RIVET(铆钉)	ALUMINIUM ALLOY	8
18	SFP EMI SHELL(EMI 弹片)	STAINLESS STEEL SUS301	4
17	SFP PULL TAB(拉带)	PULL RING, PA66 S1300, SKY BLUE	4
16	SFP BOTTOM SHELL(下壳)	Zn ALLOY, PLATED Ni OVER Cu	4
15	SFP TOP SHELL(上壳)	Zn ALLOY, PLATED Ni OVER Cu	4
14	SFP PCB ASSEMBLY(PCB 成品)	SFP PCB, 38P, Au 30u"Min	4
13	QSFP DUST COVER(防尘盖)	LDPE, NATURAL	1
12	HEAT SHRINKABLE TUBE(热缩套管)	ø9.5MM,	A/R
11	QSFP INNER MOLD(内模)	HOT-MELT GLUE	A/R
10	QSFP BRASS BUCKLE(铜扣)	BRASS, PLATED Ni	1
9	QSFP COPPER RING(铜环)	COPPER, PLATED Ni	1
8	QSFP RIVET(铆钉)	ALUMINIUM ALLOY	2
7	QSFP SPRING(弹簧)	HANDED ROTATION, SWPB	2
6	QSFP PULL TAB(拉带)	PA66 S1300, SKY BLUE	1
5	QSFP LATCH(挂钩)	STAINLESS STEEL	1
4	QSFP BOTTOM SHELL(下壳)	Zn ALLOY, PLATED Ni OVER Cu	1
3	QSFP TOP SHELL(上壳)	Zn ALLOY, PLATED Ni OVER Cu	1
2	QSFP PCB ASSEMBLY(PCB 成品)	QSFP PCB, 38P, Au 30u"Min	1
1	SFP RAW CABLE(线材)	LEONI/BELDEN, 2PAIRS, BLACK, ROHS2.0, TABLE A	A/R
ITEM	NAME	DESCRIPTION	Q'TY

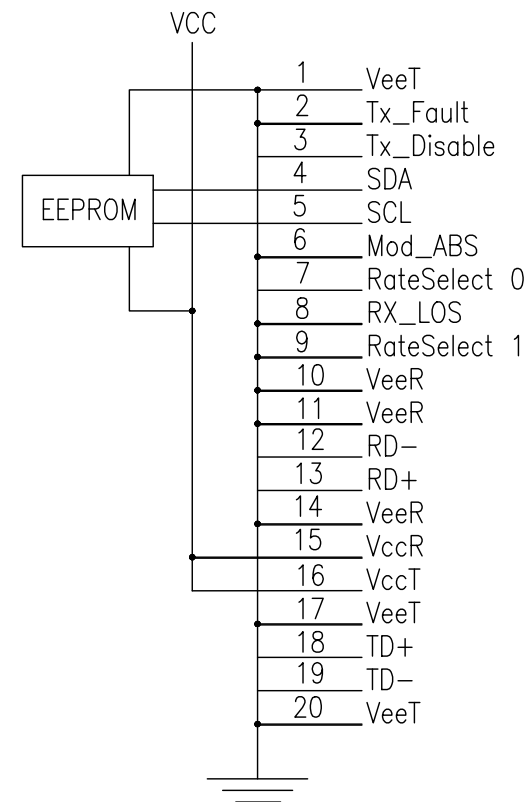


RoHS Compliant

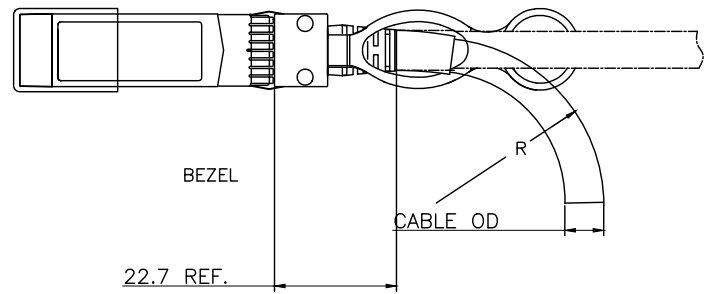
GENERAL TOLERANCE X± 0.50 .X± 0.20 .XX± 0.10 .XXX± 0.05	ANGLE TOLERANCE X°± 5.0° .X°± 3.0° .XX°± 2.0° .XXX°± 1.0°	DRAWN KYLE	DATE 11/30/2018	
MATERIAL SEE BOM		CHECKED	DATE	
FINISH SEE NOTES		APPROVED	DATE	PART NUMBER 320-10181-01
SCALE N/A	UNIT mm	SHEET 2 OF 4		DRAWING NO. 320-10181
				SIZE A4
				REV. X2



SFP LOW SPEED
SIGNAL P1-P4



NOTE: VeeT=Veer

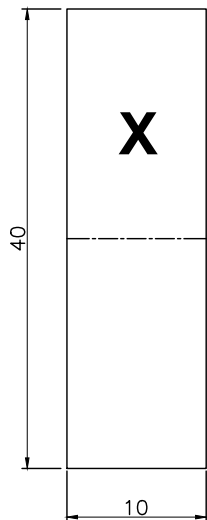


CABLE GAUGE	CABLE "OD"	STATIC BEND RADIUS "R"	DYNAMIC BEND RADIUS "R"
30AWG	4.5MM	22.5MM	45MM
26AWG	5.1MM	25.5MM	51MM

RoHS Compliant

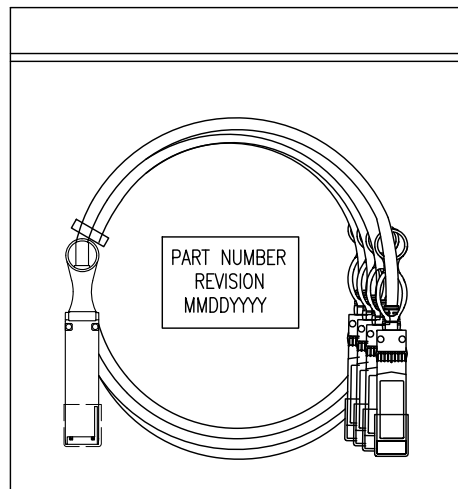
GENERAL TOLERANCE X ± 0.50 .X ± 0.20 .XX ± 0.10 .XXX ± 0.05	ANGLE TOLERANCE X° ± 5.0° .X° ± 3.0° .XX° ± 2.0° .XXX° ± 1.0°	DRAWN KYLE	DATE 11/30/2018	
MATERIAL SEE BOM		CHECKED	DATE	
FINISH SEE NOTES		APPROVED	DATE	PART NUMBER 320-10181-01
SCALE N/A	UNIT mm	SHEET 3 OF 4		DRAWING NO. 320-10181
				SIZE A4
				REV. X2

② CABLE LABEL(线标)

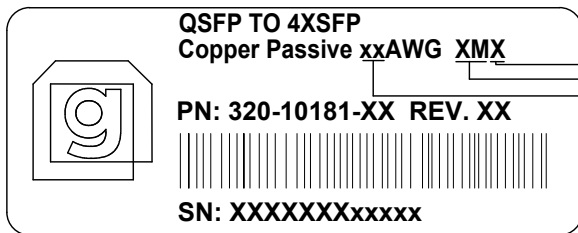


X: 1, 2, 3, 4

PACKAGING:



④⑥ CONN. LABEL(壳标):



DIMENSION 1 OR 2
LENGTH IN METERS
WIRE GAUGE

PN AND REV,

128code:
XXXXXXXXxxxxx

TABLE A

PART NUMBER	WIRE TYPE	xx AWG	XM1 LENGTH	XM2 LENGTH
320-10181-01	PVC	30	500±20	
320-10181-02	PVC	30	1000±30	
320-10181-03	PVC	30	2000±30	
320-10181-04	PVC	26	3000±40	
320-10181-05	PVC	26	4000±40	
320-10181-06	PVC	26	5000±50	
320-10181-07	LSZH	30	500±20	
320-10181-08	LSZH	30	1000±30	
320-10181-09	LSZH	30	2000±30	
320-10181-10	LSZH	26	3000±40	
320-10181-11	LSZH	26	4000±40	
320-10181-12	LSZH	26	5000±50	
320-10181-13	PVC	30		500±20
320-10181-14	PVC	30		1000±30
320-10181-15	PVC	30		2000±30
320-10181-16	PVC	26		3000±40
320-10181-17	PVC	26		4000±40
320-10181-18	PVC	26		5000±50
320-10181-19	LSZH	30		500±20
320-10181-20	LSZH	30		1000±30
320-10181-21	LSZH	30		2000±30
320-10181-22	LSZH	26		3000±40
320-10181-23	LSZH	26		4000±40
320-10181-24	LSZH	26		5000±50
320-10181-25	PVC	30	3000±40	
320-10181-26	LSZH	30	3000±40	
320-10181-27	PVC	30		3000±40
320-10181-28	LSZH	30		3000±40

RoHS Compliant

GENERAL TOLERANCE X± 0.50 .X± 0.20 .XX± 0.10 .XXX± 0.05	ANGLE TOLERANCE X°± 5.0° .X°± 3.0° .XX°± 2.0° .XXX°± 1.0°	DRAWN KYLE	DATE 11/30/2018		
MATERIAL SEE BOM		CHECKED	DATE		TITLE QSFP+ TO 4SFP+, 40G, DAC
FINISH SEE NOTES		APPROVED		DATE	PART NUMBER 320-10181-01
SCALE N/A	UNIT mm	SHEET 4 OF 4		DRAWING NO. 320-10181	
				SIZE A4	REV. X2