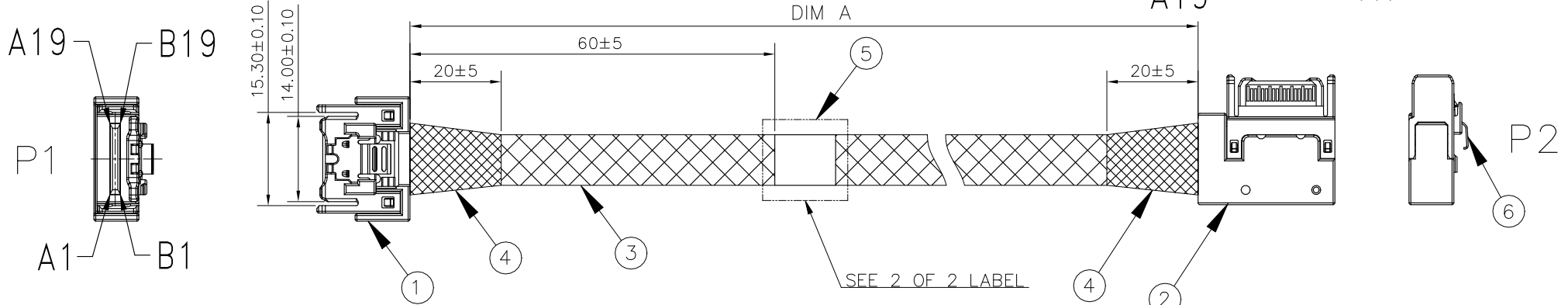
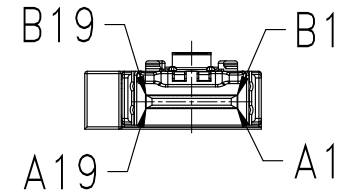
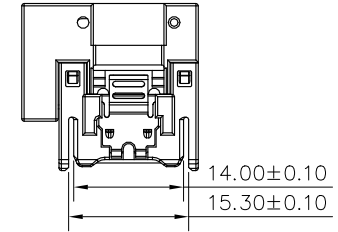




NOTES:

1. ALL CABLE 100% OPEN, SHORT, MISS WIRE & TRANSIENT FAULT TEST.
2. CONDUCTIVE RESISTANCE: 2 OHM MAX.
3. INSULATION RESISTANCE: 10M OHM MIN WITH 200Vac AT 10ms.
4. HIGH FREQUENCY TEST MUST COMPLY WITH PCIE GEN5 REQUIREMENT.  
CONNECTOR IMPEDANCE: X OHM ±15 OHM  
CABLE IMPEDANCE: X OHM ±10 OHM
5. ALL MATERIAL AND PROCESS MUST BE MEET THE REQUIREMENT OF RoHS2.0
6. PART NUMBER:

320-10497-XX  
 LENGTH: 1=0.5M,2=1.0M  
 IMPEDANCE: 0=850HM,1=920HM,2=1000HM



PROPOSAL DRAWING

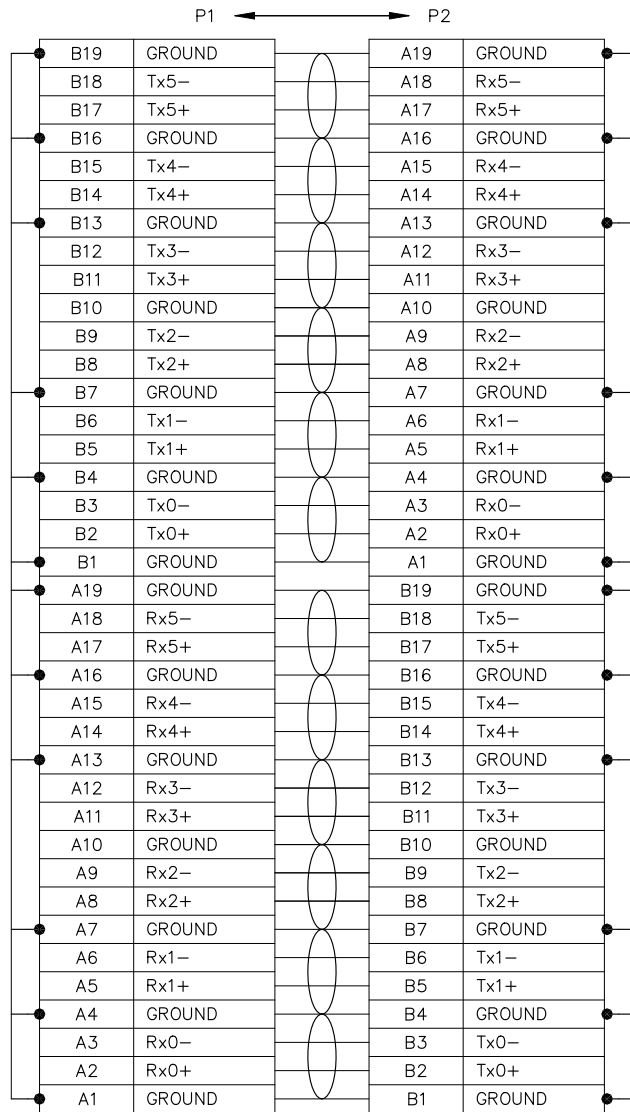
320-10497-X1	PART NUMBER
0.5M±10mm	DIM A
320-10497-X2	PART NUMBER
1M±10mm	DIM A

ITEM	DESCRIPTION	Q'TY	UNIT
1	MCIO 4X STRAIGHT TYPE	1	PCS
2	MCIO 4X LEFT SIDE TYPE	1	MM
3	EXPANDO TUBE.	A/R	MM
4	ACETATE TAPE COLOR: BLACK.	A/R	MM
5	LABEL.	1	PCS
6	LATCH.	2	PCS

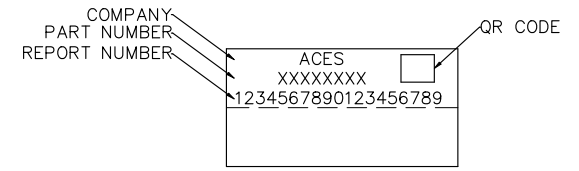
QUALITY SYMBOLS  
 MAJOR Ⓢ  
 CRITICAL Ⓢ  
 GENERAL TOLERANCES (UNLESS SPECIFIED)  
 X. ±0.15  
 .X ±0.10  
 .XX ±0.05  
 .XXX ±0.02  
 ANGLES ±1°

DRAWN BY	DATE
Wu, Chia Yi	21/10/28
CHECKED BY	DATE
Chan, Ching Jung	21/10/28
APPROVED BY	DATE
Chan, Ching Jung	21/10/28
UNITS	SCALE
mm	1 : 1
SHEET NO.	1 OF 2

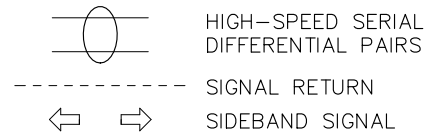
<b>ACES</b> ELECTRONICS	
TITLE	MCIO 38P STR To MCIO 38P LSE
SIZE	A4
RFQ NO.	N/A
REV	1
DWG NO.	320-10497-XX



PROPOSAL DRAWING



LABEL



<b>QUALITY SYMBOLS</b> MAJOR CRITICAL <b>GENERAL TOLERANCES (UNLESS SPECIFIED)</b> X. ±0.15 .X ±0.10 .XX ±0.05 .XXX ±0.02 ANGLES ±1°	<b>DRAWN BY</b> Wu, Chia Yi	<b>DATE</b> 21/10/28				
	<b>CHECKED BY</b> Chan, Ching Jung	<b>DATE</b> 21/10/28			<b>TITLE</b> MCIO 38P STR To MCIO 38P LSE	
	<b>APPROVED BY</b> Chan, Ching Jung	<b>DATE</b> 21/10/28	<b>UNITS</b> mm		<b>SIZE</b> A4	<b>RFQ NO.</b> N/A
	<b>SCALE</b> 1 : 1	<b>SHEET NO.</b> 2 OF 2	<b>REV</b> 1	<b>DWG NO.</b> 320-10497-XX		