



NOTES:

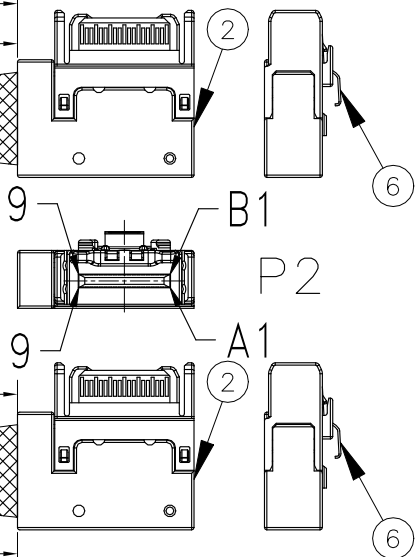
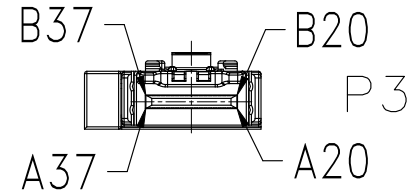
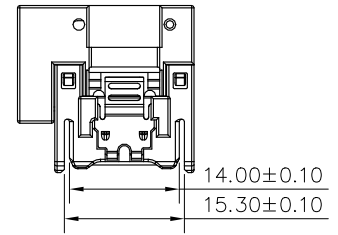
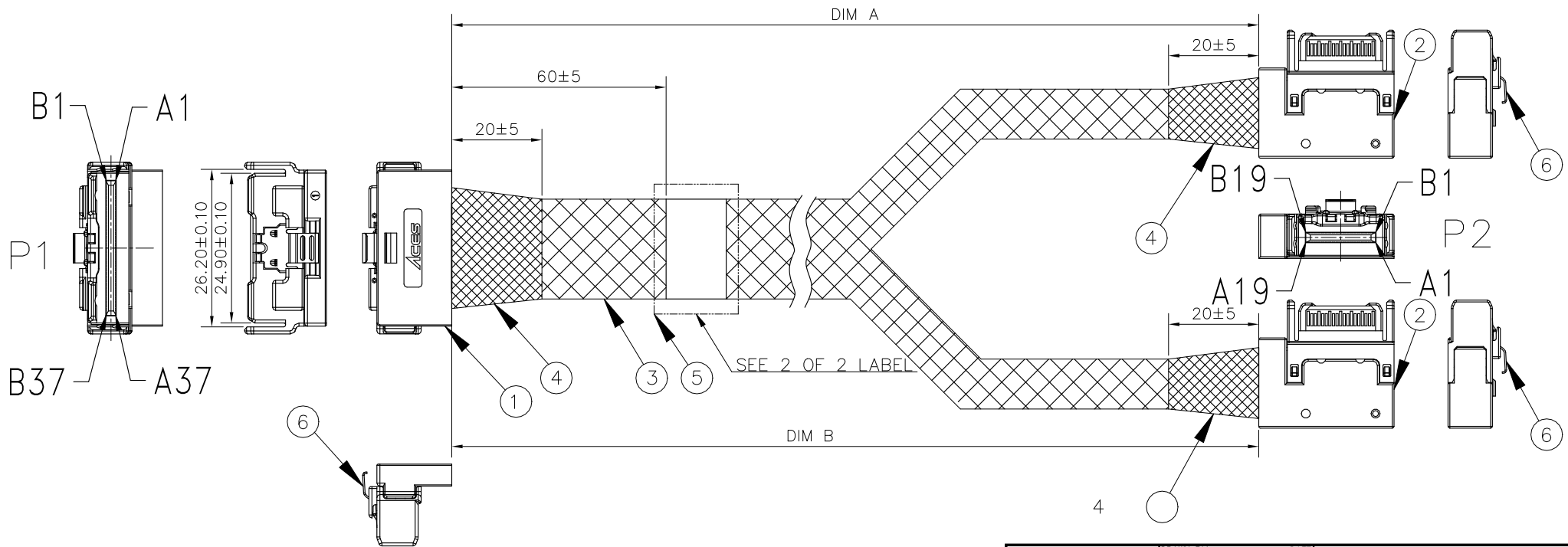
1. ALL CABLE 100% OPEN, SHORT, MISS WIRE & TRANSIENT FAULT TEST.
2. CONDUCTIVE RESISTANCE: 2 OHM MAX.
3. INSULATION RESISTANCE: 10M OHM MIN WITH 200Vac AT 10ms.
4. HIGH FREQUENCY TEST MUST COMPLY WITH PCIE GEN5 REQUIREMENT.
CONNECTOR IMPEDANCE: X OHM ± 15 OHM
CABLE IMPEDANCE: X OHM ± 10 OHM
5. ALL MATERIAL AND PROCESS MUST MEET THE REQUIREMENT OF RoHS2.0
6. PART NUMBER:

320-10488-XX

LENGTH: 1=0.5M, 2=1.0M

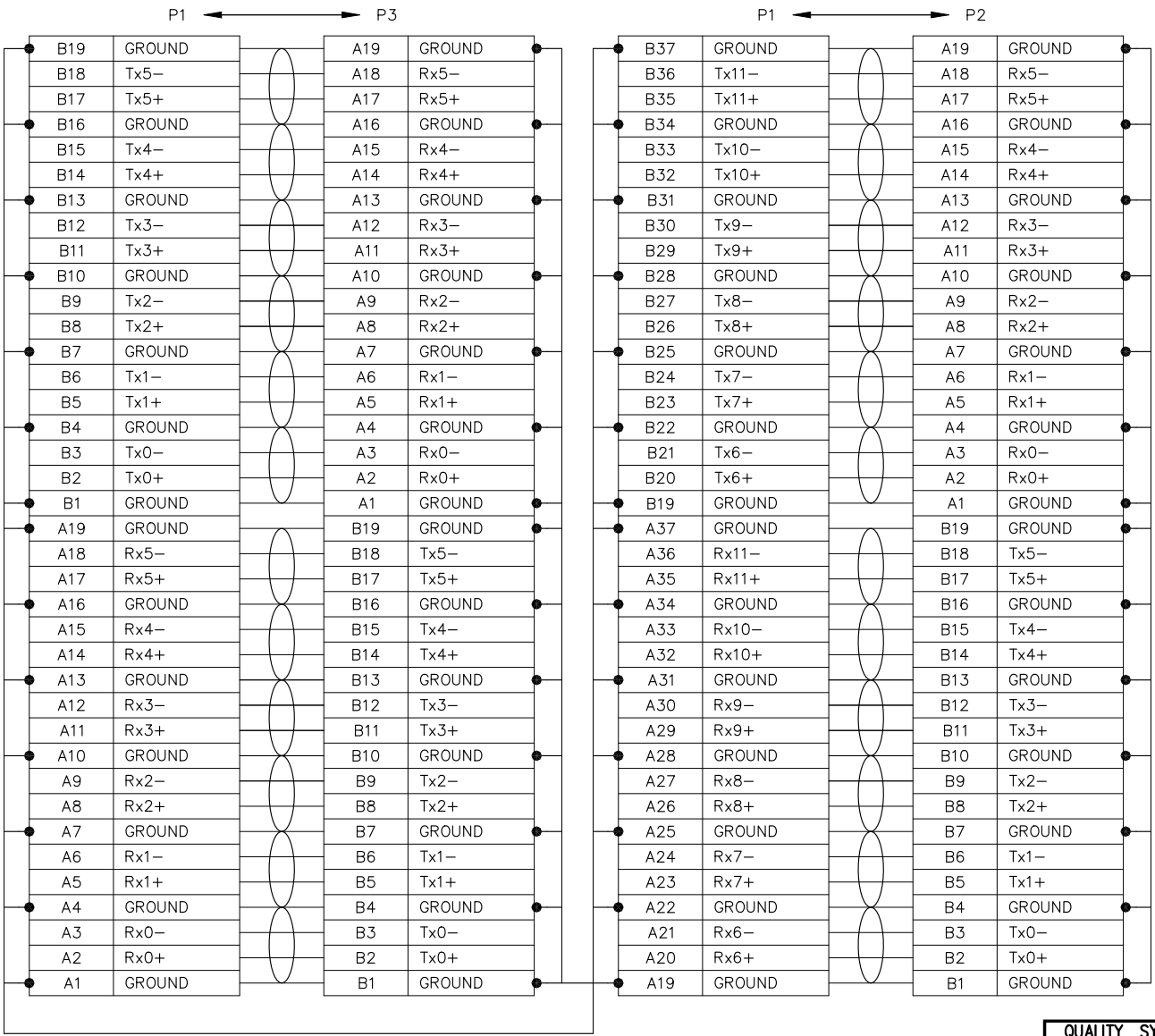
IMPEDANCE: 0=85OHM, 1=92OHM, 2=100OHM

PROPOSAL DRAWING



ITEM	DESCRIPTION	Q'TY	UNIT
	320-10488-X1 PART NUMBER		
	0.5M±10mm DIM A		
	0.5M±10mm DIM B		
	320-10488-X2 PART NUMBER		
	1M±10mm DIM A		
	1M±10mm DIM B		
1	MCIO (x8 RA to x4 2x LSE)		
1	MCIO 8X RIGHT ANGLE TYPE	1	PCS
2	MCIO 4X LEFT SIDE TYPE	2	PCS
3	EXPANDO TUBE.	A/R	MM
4	ACETATE TAPE COLOR: BLACK.	A/R	MM
5	LABEL.	1	PCS
6	LATCH.	3	PCS

QUALITY SYMBOLS MAJOR Ⓢ CRITICAL Ⓢ GENERAL TOLERANCES (UNLESS SPECIFIED) X. ± 0.15 .X ± 0.10 .XX ± 0.05 .XXX ± 0.02 ANGLES $\pm 1^\circ$	DRAWN BY Wu, Chia Yi	DATE 21'10/28		
	CHECKED BY Chan, Ching Jung	DATE 21'10/28		TITLE MCIO 74P RA To MCIO 2x 38P LSE
	APPROVED BY Chan, Ching Jung	DATE 21'10/28		UNITS mm
SCALE 1 : 1	SHEET NO. 1 OF 2	SIZE A4	REV 1	
		RFG NO. N/A	DWG NO. 320-10488-XX	

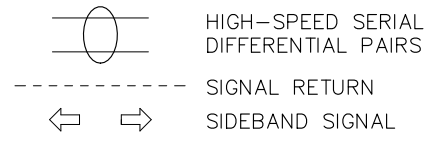


PROPOSAL DRAWING

COMPANY: ACES
 PART NUMBER: XXXXXXXX
 REPORT NUMBER: 1234567890123456789

QR CODE

LABEL



QUALITY SYMBOLS MAJOR CRITICAL GENERAL TOLERANCES (UNLESS SPECIFIED) X. ±0.15 .X ±0.10 .XX ±0.05 .XXX ±0.02 ANGLES ±1°	DRAWN BY Wu, Chia Yi	DATE 21'10/28		TITLE MCIO 74P RA To MCIO 2x 38P LSE		
	CHECKED BY Chan, Ching Jung	DATE 21'10/28			UNITS 	SIZE A4
	APPROVED BY Chan, Ching Jung	DATE 21'10/28			SCALE 1 : 1	REV 1
	SHEET NO. 2 OF 2	DWG NO. 320-10488-XX	RFQ NO. N/A			