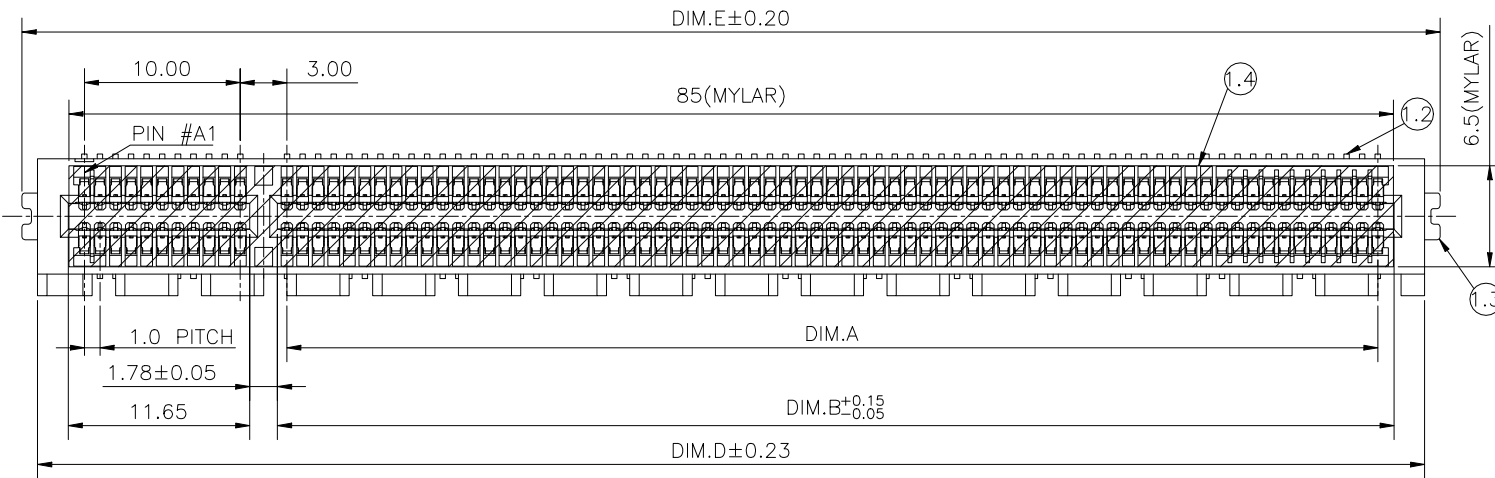
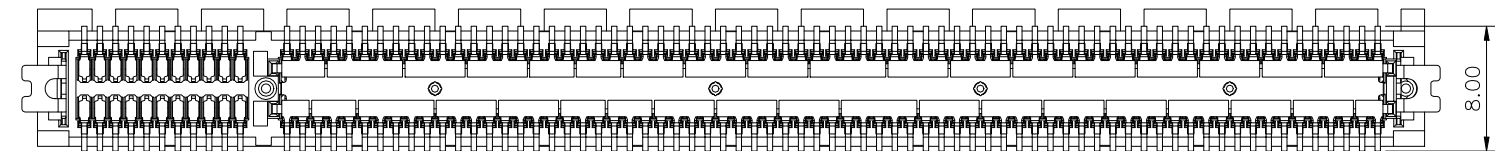
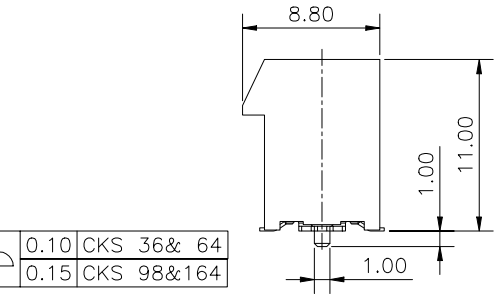
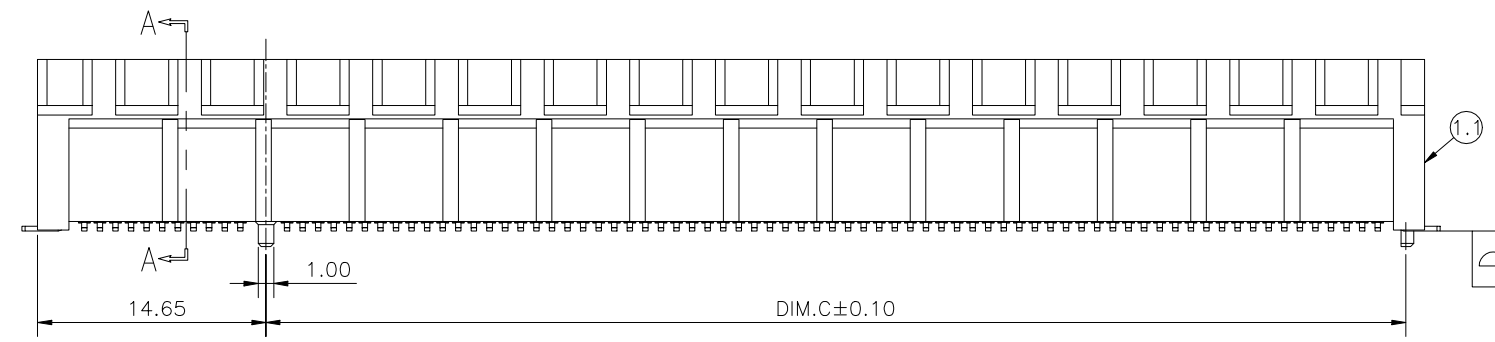


REV.	ECN. NO.	DESCRIPTION	ENG	DATE
A		INITIAL	AXL	10/5/2021
B		CORRECT TITLE	AXL	11/10/2021
C		ADDED PAGE 3	Zakk	6/27/2022
D		ADD ACES P/N	Ethan	7/6/2023



- NOTES :
- MATERIAL :
    - HOUSING: THERMOPLASTIC(LCP), HIGH TEMP., UL94V-0; COLOR:BLACK.
    - CONTACT: COPPER ALLOY
    - FIT NAIL: COPPER ALLOY
    - MYLAR: POLYESTER
  - FINISH :
    - CONTACT:
      - GOLD PLATING 30u" ON CONTACT AREA.
      - 100~200u" MATTE TIN PLATING ON SOLDER TAILS
      - 50-100u" NICKEL UNDERPLATED OVERALL.
    - FIT NAIL:
      - 100~200u" MATTE TIN PLATING ON SOLDER TAILS
      - 50-100u" NICKEL UNDERPLATED OVERALL.
  - REFLOW SOLDER CAPABLE TO 260°C
  - PACKING: TRAY WITH MYLAR.

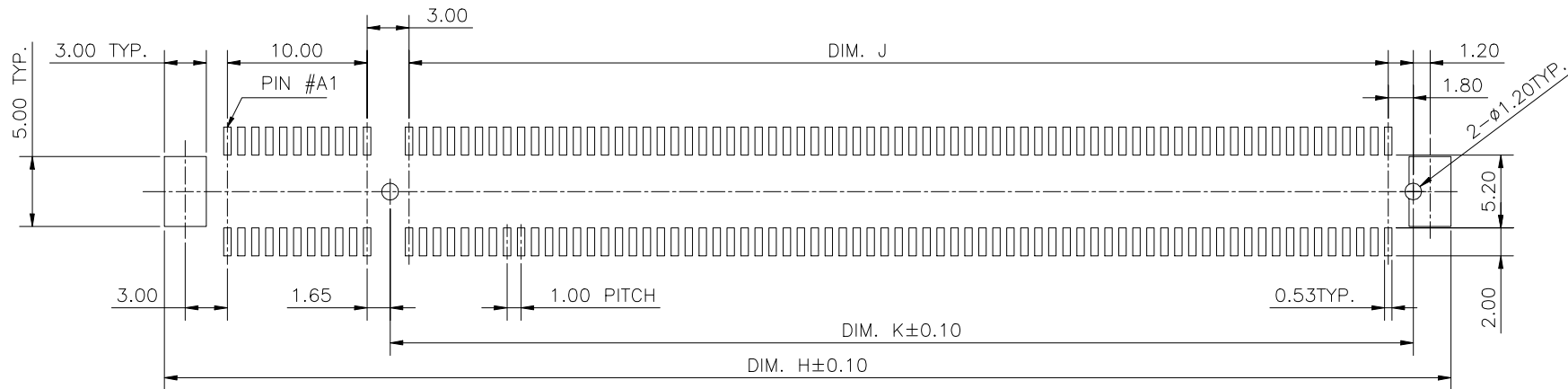


PART NUMBER:  
 106-10080-XX  
 NO. OF PINS  
 01: 36PIN  
 02: 64PIN  
 03: 98PIN  
 04: 164PIN

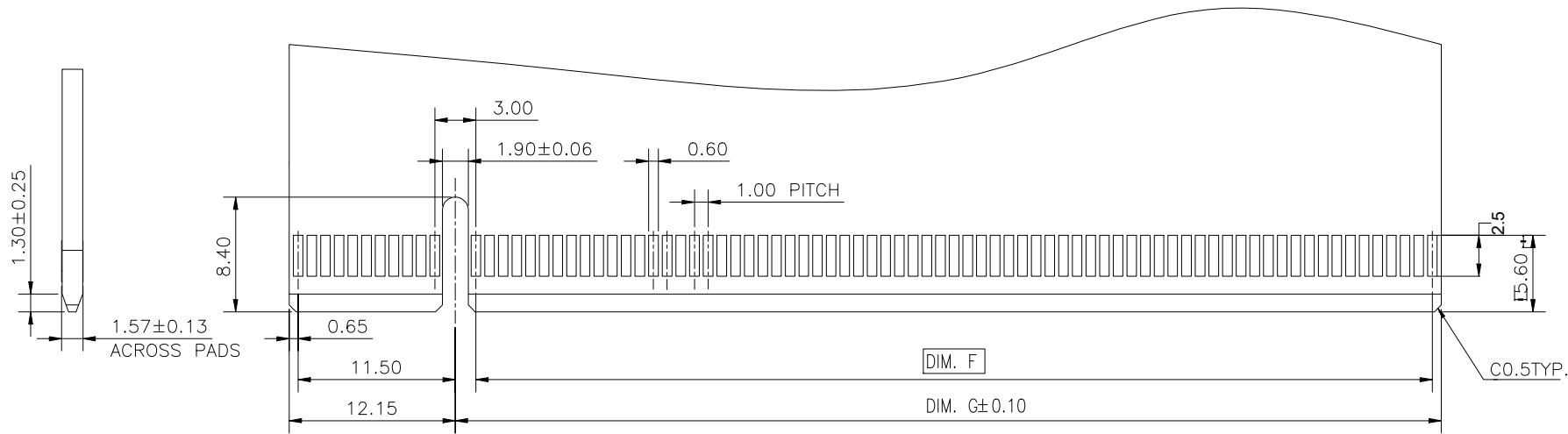
TABLE A

GENESIS P/N	ACES P/N <input type="checkbox"/>	CONNECTOR LINK WIDTH	CKS	A	B	C	D	E	H	J	K
106-10080-01	52710-0366D-001	X1	36	6.00	7.65	9.15	25.00	27.00	28.00	6.00	9.15
106-10080-02	52710-0646D-001	X4	64	20.00	21.65	23.15	36.00	41.00	42.00	20.00	23.15
106-10080-03	52710-0986D-001	X8	98	37.00	38.65	40.15	56.00	58.00	59.00	37.00	40.15
106-10080-04	52710-1646D-001	X16	164	70.00	71.65	73.15	89.00	91.00	92.00	70.00	73.15

GENERAL TOLERANCE X ± 0.50 .X ± 0.25 .XX ± 0.15 .XXX ± 0.10	ANGLE TOLERANCE X° ± 2° .X° ± .XX° ± .XXX° ±	DRAWN ZAKK	DATE 6/27/2022	
MATERIAL		DESIGN	DATE	
FINISH		CHECKED	DATE	PART NUMBER: 106-10080-XX
SCALE N/A	UNIT mm	APPROVED	DATE	DRAWING NO. 106-10080
SHEET 1 OF 3				SIZE A4 REV. D



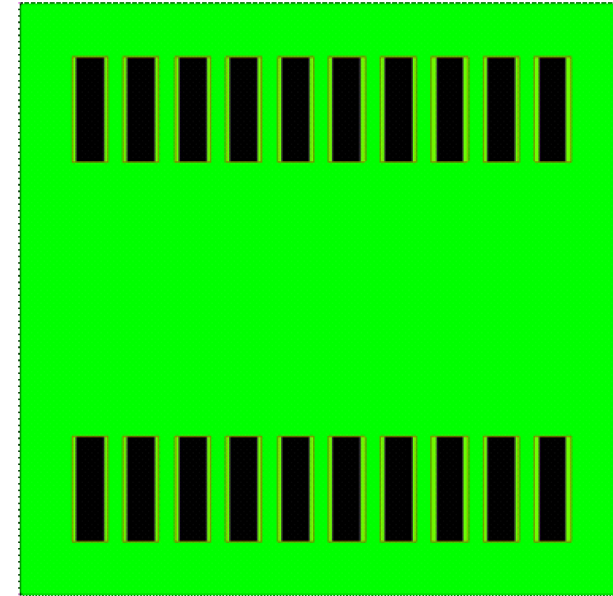
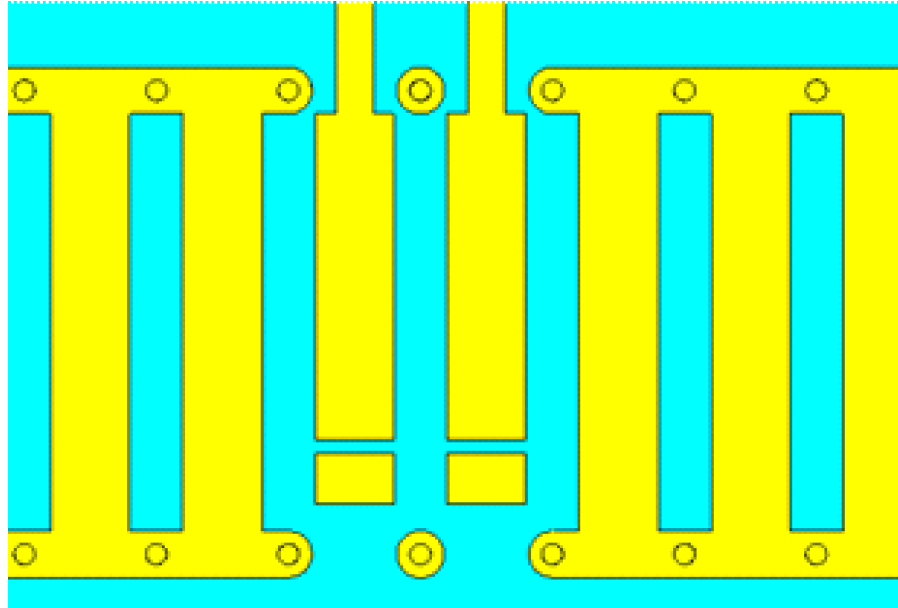
RECOMMENDED PCB LAYOUT  
GENERAL TOLERANCE ±0.05



RECOMMENDED EDGE CARD GOLDEN FINGER LAYOUT  
GENERAL TOLERANCE ±0.05

CONNECTOR LINK WIDTH	CKS	F	G
X1	36	6.00	8.15
X4	64	20.00	22.15
X8	98	37.00	39.15
X16	164	70.00	72.15

GENERAL TOLERANCE X ± 0.50 .X ± 0.25 .XX ± 0.15 .XXX ± 0.10	ANGLE TOLERANCE X ± 2° .X ± .XX ± .XXX ±	DRAWN ZAKK	DATE 6/27/2022	
MATERIAL		DESIGN	DATE	
FINISH		CHECKED	DATE	PART NUMBER: 106-10080-XX
SCALE N/A	UNIT mm	APPROVED	DATE	DRAWING NO. 106-10080
SHEET 2 OF 3				SIZE A4 REV. D



NOTES:

Card plug side, 0.6mm width, 2.5mm long.  
Antipads should be tangential to ground pads and end of pads or see PCIE Gen 5 spec pads recommended by ACES

change pad size on connector footprint side to, 0.53mm width, 2mm length, Antipads should be tangential to ground pads and end of pads or see PCIE Gen 5 spec. pads recommended by ACES

GENERAL TOLERANCE X±0.50 .X±0.25 .XX±0.15 .XXX±0.10	ANGLE TOLERANCE X°±2' .X°± .XX°± .XXX°±	DRAWN ZAKK	DATE 6/27/2022	
MATL	FINISH	CHECKED	DATE	
SCALE N/A	UNIT mm	APPROVED	DATE	PART NUMBER: 106-10080-XX
SHEET 3 OF 3				DRAWING NO. 106-10080
				SIZE A4 REV. D