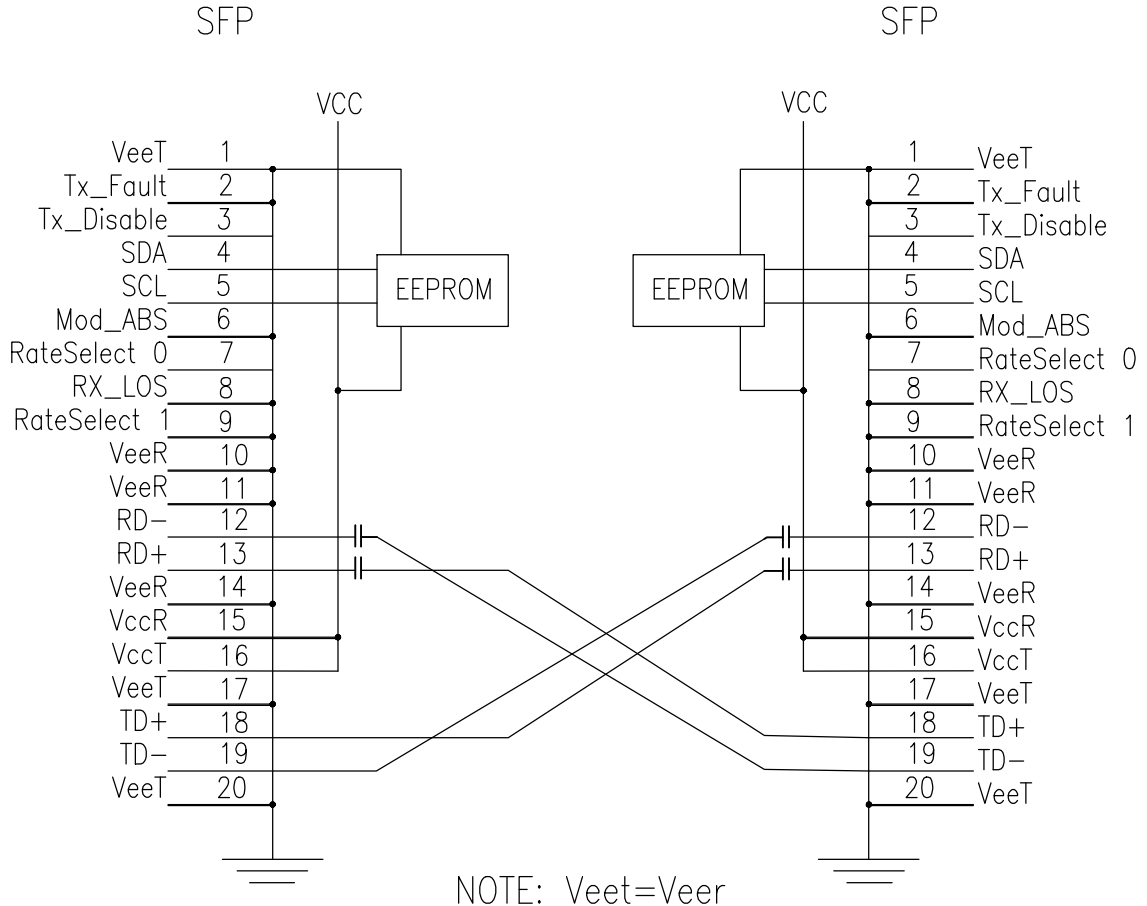


NOTE(注释):

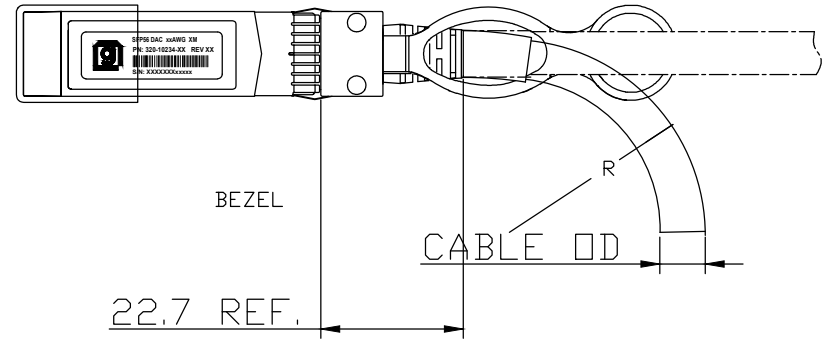
- CABLE ASSEMBLY IMPEDANCE: 100±10 ohm.
成品特性阻抗: 100±10 欧姆
- 100% CONDUCTOR TEST, TEST CONDITION:VOLTAGE 5V,INSULTION RESISTANCE 10M ohm, CONDUCTION RESISTANCE MAX 3 ohm
100% 导通测试, 测试条件为电压5V, 绝缘10M欧姆, 导通电阻不大于3欧姆
- HIGH-FREQUENCY TEST ACCORDING TO IEEE802.3 STANDARD.
高频测试依照IEEE802.3标准测试
- ALL MATERIAL MUST COMPLY WITH ROHS2.0.
所有物料必须符合ROHS2.0

| ITEM | NAME | QTY | DESCRIPTION | NOTE |
|------|---------------|-----|---------------------------------|------|
| 7 | DUST COVER | 2 | DUST COVER FOR SFP, PE, NATURAL | |
| 6 | SHELL | 2 | SHELL BARCODE LABELS | |
| 5 | MOLDING | 2 | INNER MOLDING FOR SFP | |
| 4 | STRAIN RELIEF | 2 | CABLE SR FOR SFP | |
| 3 | PCB | 2 | SFP PCB | |
| 2 | CONNECTOR | 2 | SFP CONNECTOR | |
| 1 | CABLE | A/R | TABLE A, WIRE TYPE, WIRE GAUGE | |

| | | | | |
|---|---|---------------|-------------------|-----------------------------|
| GENERAL TOLERANCE X± .X±0.40 .XX±0.30 .XXX±0.20 | ANGLE TOLERANCE X°± .X°± .XX°± .XXX°± | DRAWN KYLE | DATE 11/8/2018 | |
| MATERIAL SEE BOM | | DESIGN | DATE | |
| FINISH SEE NOTES | | CHECKED | DATE | PART NUMBER 320-10234-XX |
| SCALE N/A | UNIT mm | APPROVED | DATE | DRAWING NO. 320-10234 |
| SHEET 1 OF 3 | | | | SIZE A4 REV. X1 |



NOTE: VeeT=Veer



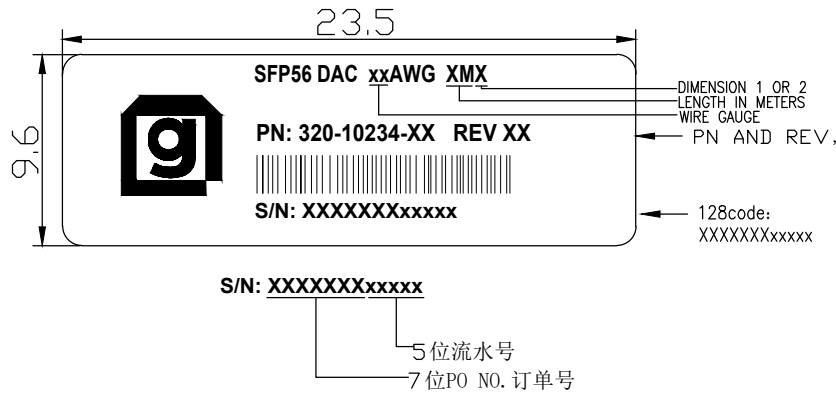
| CABLE GAUGE | CABLE "OD" | STATIC BEND RADIUS "R" | DYNAMIC BEND RADIUS "R" |
|-------------|------------|------------------------|-------------------------|
| 30AWG | 4.5MM | 22.5MM | 45MM |
| 26AWG | 5.1MM | 25.5MM | 51MM |

| | | | | | |
|---|---|---------------|-------------------|--------------------------|-----------------------------------|
| GENERAL TOLERANCE X± .X±0.40 .XX±0.30 .XXX±0.20 | ANGLE TOLERANCE X°± .X°± .XX°± .XXX°± | DRAWN KYLE | DATE 11/8/2018 | | |
| FINISH SEE NOTES | | CHECKED | DATE | | TITLE SFP56 TO SFP56, 50G, DAC |
| SCALE N/A | | UNIT mm | APPROVED | DATE | PART NUMBER 320-10234-XX |
| SHEET 2 OF 3 | | | | DRAWING NO. 320-10234 | SIZE A4 REV. X1 |

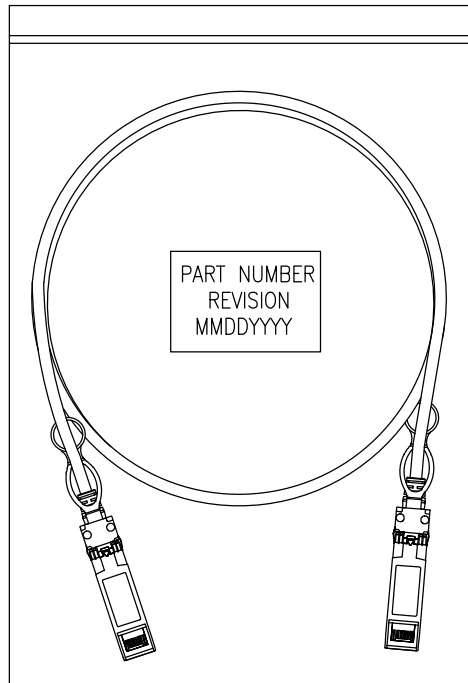
PROPRIETARY INFORMATION
COMPANY CONFIDENTIAL

| REV. | ECN. NO. | DESCRIPTION | ENG | DATE |
|------|----------|-------------|-----|------|
| | | SEE PAGE 1 | | |

CONN. LABEL (壳标):



PACKAGING:



| PART NUMBER | WIRE TYPE | xx AWG | XM1 LENGTH | XM2 LENGTH |
|--------------|-----------|--------|------------|------------|
| 320-10234-01 | PVC | 30 | 500±20 | |
| 320-10234-02 | PVC | 30 | 1000±30 | |
| 320-10234-03 | PVC | 30 | 1500±30 | |
| 320-10234-04 | PVC | 30 | 2000±30 | |
| 320-10234-05 | PVC | 26 | 2500±30 | |
| 320-10234-06 | PVC | 26 | 3000±40 | |
| 320-10234-07 | LSZH | 30 | 500±20 | |
| 320-10234-08 | LSZH | 30 | 1000±30 | |
| 320-10234-09 | LSZH | 30 | 1500±30 | |
| 320-10234-10 | LSZH | 30 | 2000±30 | |
| 320-10234-11 | LSZH | 26 | 2500±30 | |
| 320-10234-12 | LSZH | 26 | 3000±40 | |
| 320-10234-13 | PVC | 30 | | 500±20 |
| 320-10234-14 | PVC | 30 | | 1000±30 |
| 320-10234-15 | PVC | 30 | | 1500±30 |
| 320-10234-16 | PVC | 30 | | 2000±30 |
| 320-10234-17 | PVC | 26 | | 2500±30 |
| 320-10234-18 | PVC | 26 | | 3000±40 |
| 320-10234-19 | LSZH | 30 | | 500±20 |
| 320-10234-20 | LSZH | 30 | | 1000±30 |
| 320-10234-21 | LSZH | 30 | | 1500±30 |
| 320-10234-22 | LSZH | 30 | | 2000±30 |
| 320-10234-23 | LSZH | 26 | | 2500±30 |
| 320-10234-24 | LSZH | 26 | | 3000±40 |

| | | | | | |
|---|---|---------------|-------------------|--------------------------|-----------------------------------|
| GENERAL TOLERANCE X± .X±0.40 .XX±0.30 .XXX±0.20 | ANGLE TOLERANCE X°± .X°± .XX°± .XXX°± | DRAWN KYLE | DATE 11/8/2018 | | TITLE SFP56 TO SFP56, 50G, DAC |
| MATL SEE BOM | FINISH SEE NOTES | CHECKED | DATE | | PART NUMBER. 320-10234-XX |
| SCALE N/A | UNIT mm | APPROVED | DATE | DRAWING NO. 320-10234 | SIZE A4 REV. X1 |
| SHEET 3 OF 3 | | | | | |