

PROPRIETARY INFORMATION  
COMPANY CONFIDENTIAL

REV.	ECN. NO.	DESCRIPTION	ENG	DATE
X1		INITIAL	AXL	2/7/2020
X2		EDIT PCB AND REMOVE HSG AND ADD DIM.	AXL	2/24/2020
X3		ADD PCB DIMENSION & WIRE LIST	Bolin	2/26/2020
X4		REMOVED NUTS FROM PCBA	AXL	3/24/2020
X5		REMOVED SHELL ON EDSFF END	AXL	12/3/2021

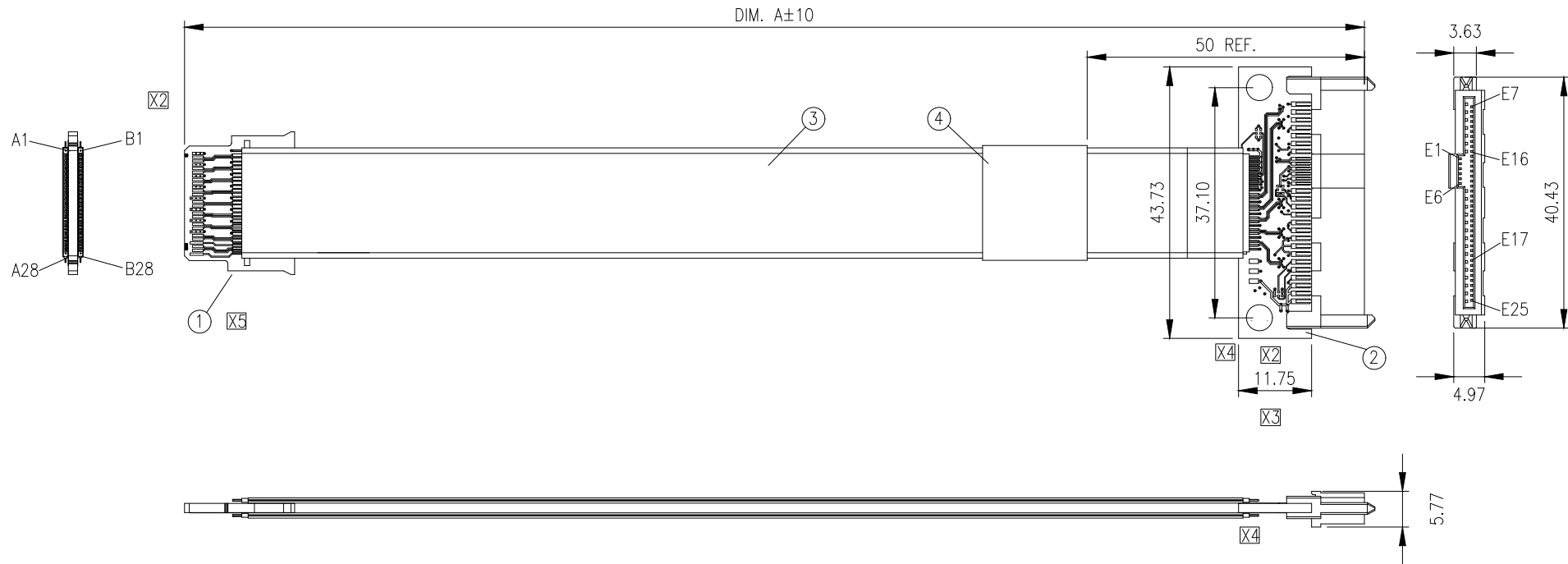


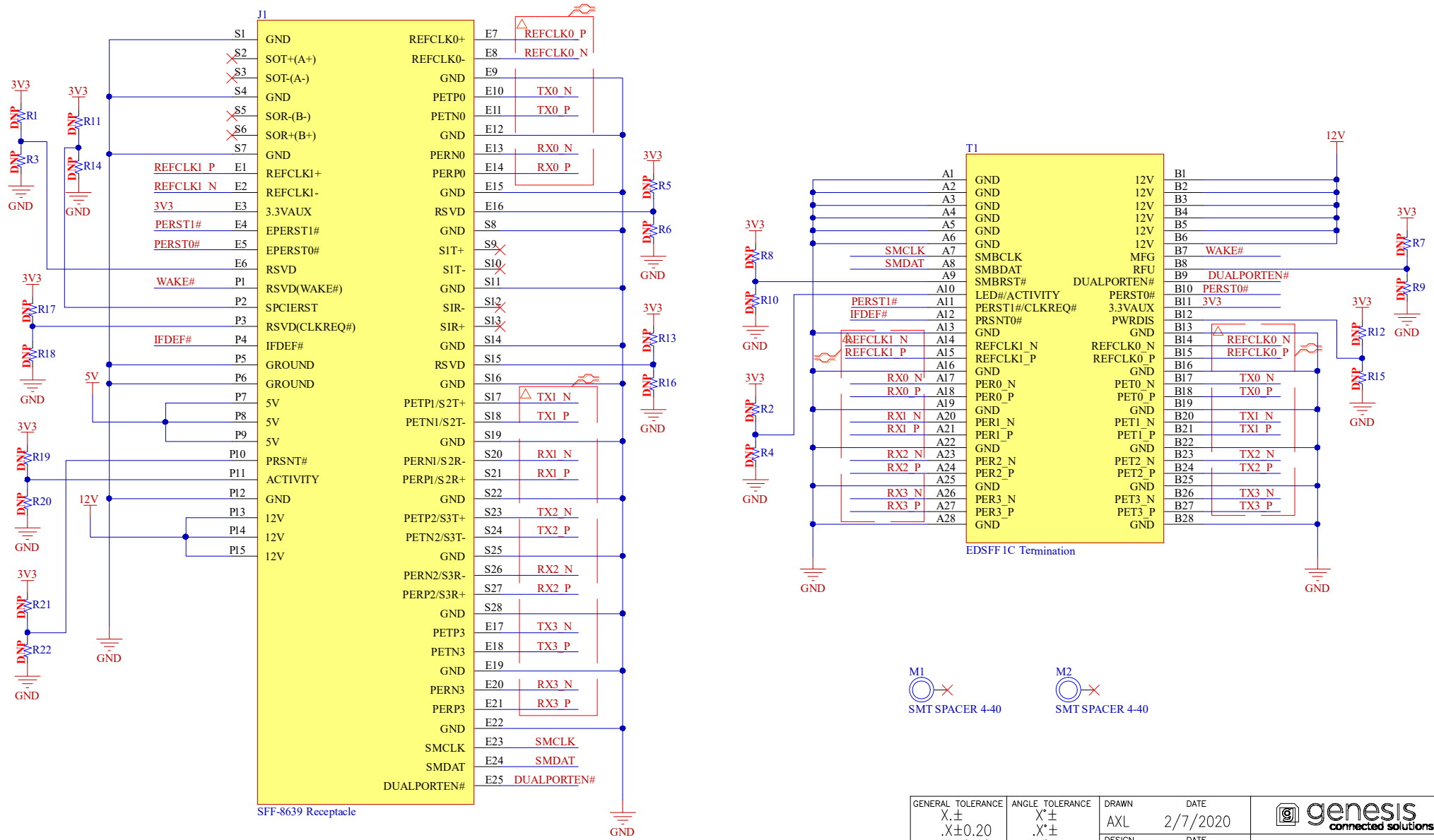
TABLE A

PART NUMBER	DIM. A
320-10362-01	250 mm
320-10362-02	500 mm

GENERAL TOLERANCE X.± .X±0.20 .XX±0.10 .XXX±0.05	ANGLE TOLERANCE X°± .X°± .XX°± .XXX°±	DRAWN AXL	DATE 2/7/2020		TITLE EDSFF 1C PCB TO 8639 U.2
MATL SEE BOM	FINISH SEE NOTES	CHECKED	DATE		PART NUMBER. 320-10362-XX
SCALE N/A	UNIT mm	APPROVED	DATE	DRAWING NO. 320-10362	SIZE A4 REV. X5
SHEET 1 OF 2					

ITEM	NAME	Q'TY	DESCRIPTION	NOTE
4	LABEL	1PCS	PART NUMBER AND DATE CODE LABEL	
3	FLAT CABLE	A/R	FLAT CABLE	
2	8639 U.2 CONN ASSY	1PCS	68P 8639 U.2 68P CONNECTOR PCBA X4	
1	PADDLE CARD	1PCS	EDSFF 1C PADDLE CARD X5	

SFF 8639 85 OHM STRADDLE RPTCLADAPTER PCB



GENERAL TOLERANCE X.± .X±0.20 .XX±0.10 .XXX±0.05	ANGLE TOLERANCE X°± .X°± .XX°± .XXX°±	DRAWN AXL	DATE 2/7/2020		TITLE EDSFF 1C PCB TO 8639 U.2
MATL SEE BOM	FINISH SEE NOTES	CHECKED	DATE		PART NUMBER. 320-10362-XX
SCALE N/A	UNIT mm	APPROVED	DATE	DRAWING NO. 320-10362	SIZE A4 REV. X5
SHEET 2 OF 2					