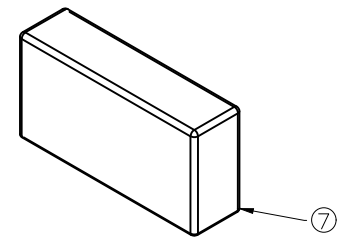
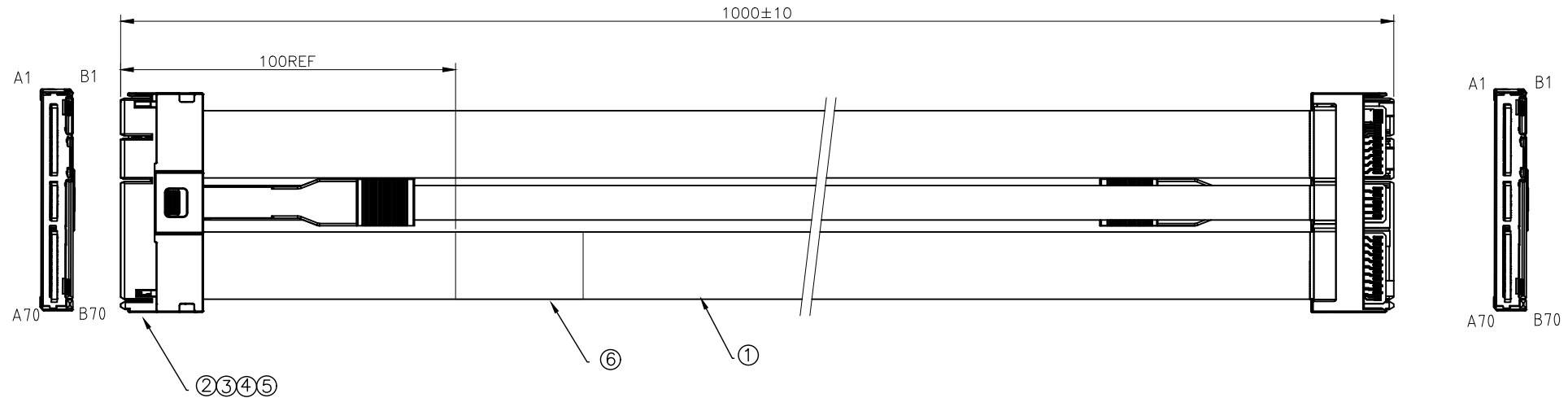


PROPRIETARY INFORMATION
COMPANY CONFIDENTIAL

REV.	ECN. NO.	DESCRIPTION	ENG	DATE
X1		ISSUED	KYLE	1/15/2019

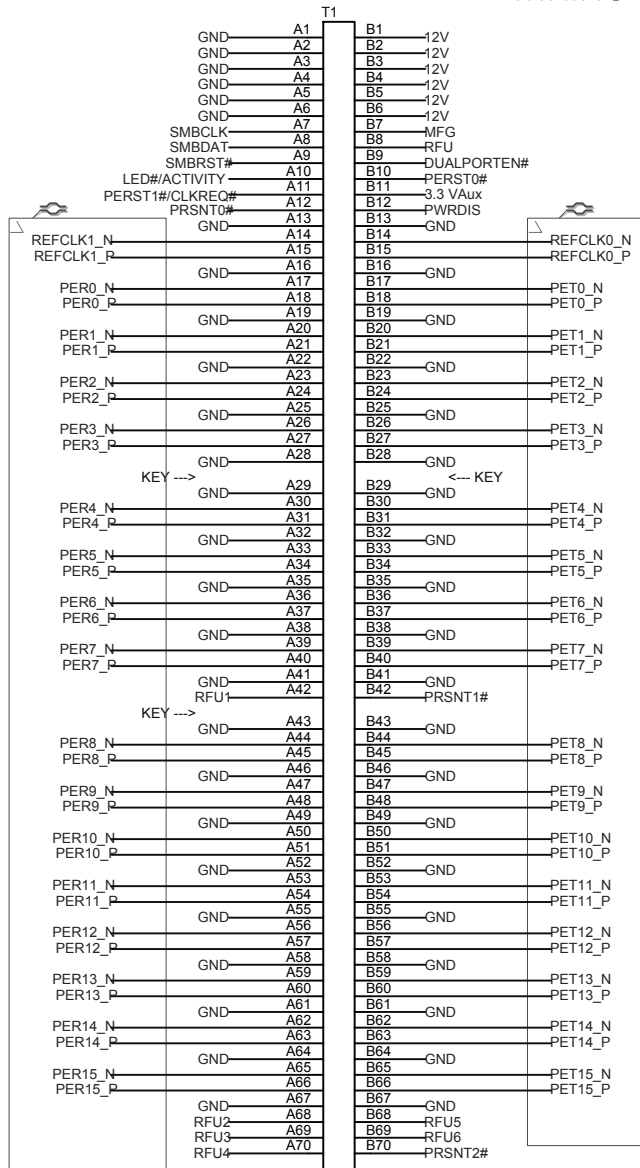


ITEM	NAME	Q'TY	DESCRIPTION	NOTE
7	DUST COVER	2	DUST COVER EDSFF 4C	
6	LABEL	1	WHITE LABEL, 60*30MM(REF)	
5	LATCH	2	LATCH, EDSFF 4C	
4	HOUSING	2	HOUSING, EDSFF 4C	
3	INNER MOLD	2	INNER MOLDING FOR EDSFF 4C	
2	PCB	2	PCB, EDSFF 4C, 85 OHM	
1	SAS CABLE	A/R	PCIe4.0 CABLE 16G 30AWG 85 OHM	

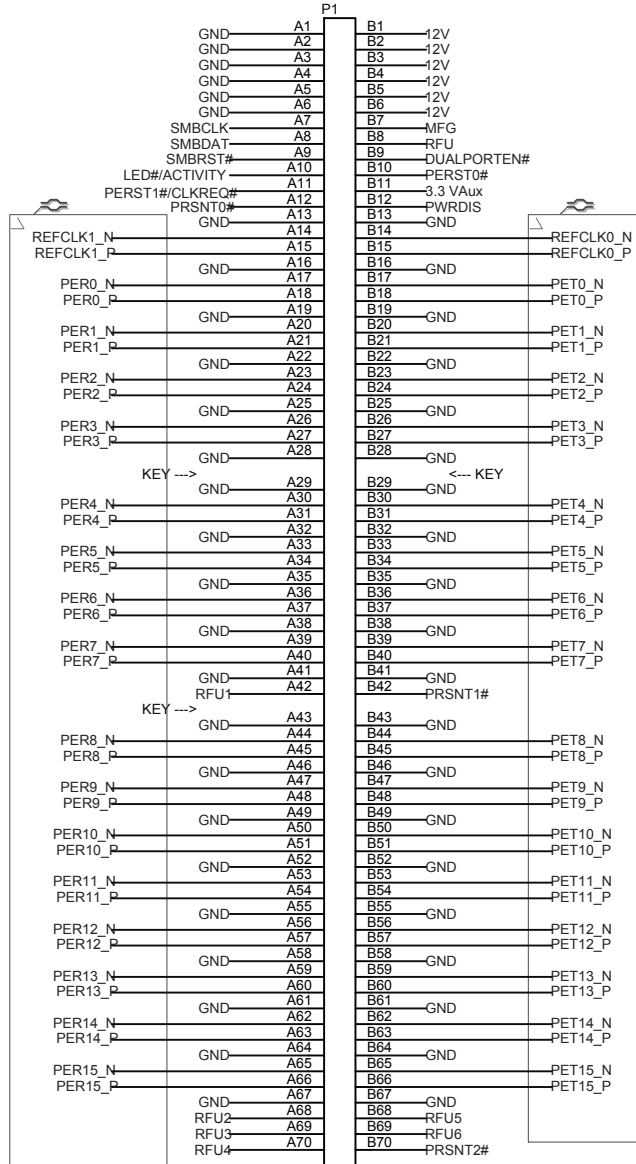
RoHS Compliant

GENERAL TOLERANCE X ± .X ± 0.40 .XX ± 0.30 .XXX ± 0.20	ANGLE TOLERANCE X° ± 5.0° .X° ± 3.0° .XX° ± 2.0° .XXX° ± 1.0°	DRAWN KYLE	DATE 1/15/19		
MATL SEE BOM	FINISH SEE BOM	CHECKED	DATE		TITLE EDSFF 4C Cable Ass'Y PCIe4.0 85 Ohm
SCALE N/A	UNIT mm	APPROVED	DATE	PART NUMBER 320-10349-01	
SHEET 1 OF 2				DRAWING NO. 320-10349	SIZE A4 REV. X1

WIRING TABLE

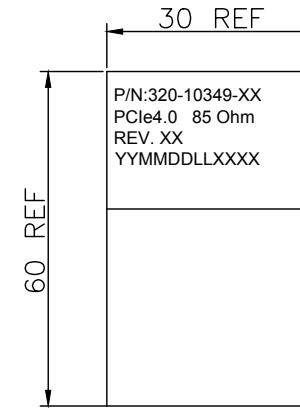


SFF-TA-1002-4C-CARD-EDGE-FINGERS

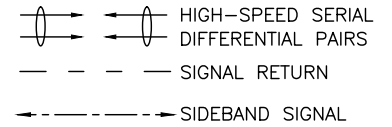


SFF-TA-1002-4C-CARD-EDGE-FINGERS

LABEL INFORMATION



FONT: ARIAL
HEIGHT: 2.0mm Min



TEST CONDITIONS:

1. 100% OPEN & SHORT & MISS-WIRING & INTERMITTENCE TEST.
2. CONDUCTIVE RESISTANCE: 3Ω MAX.
3. INSULATION RESISTANCE: 10 MΩ
4. HI-POT TEST: 300VDC FOR 10ms.
5. THIS PRODUCT MEETS PCIe 4.0

RoHS Compliant

GENERAL TOLERANCE X ± .X ± 0.40 .XX ± 0.30 .XXX ± 0.20		ANGLE TOLERANCE X° ± 5.0° .X° ± 3.0° .XX° ± 2.0° .XXX° ± 1.0°		DRAWN KYLE 1/15/19		DATE	
MATERIAL SEE BOM		FINISH SEE BOM		CHECKED		DATE	
SCALE N/A		UNIT mm		APPROVED		DATE	
SHEET 2 OF 2		DRAWING NO. 320-10349		PART NUMBER. 320-10349-01		TITLE. EDSFF 4C Cable Ass'Y PCIe4.0 85 Ohm	
		SIZE A4		REV X1			