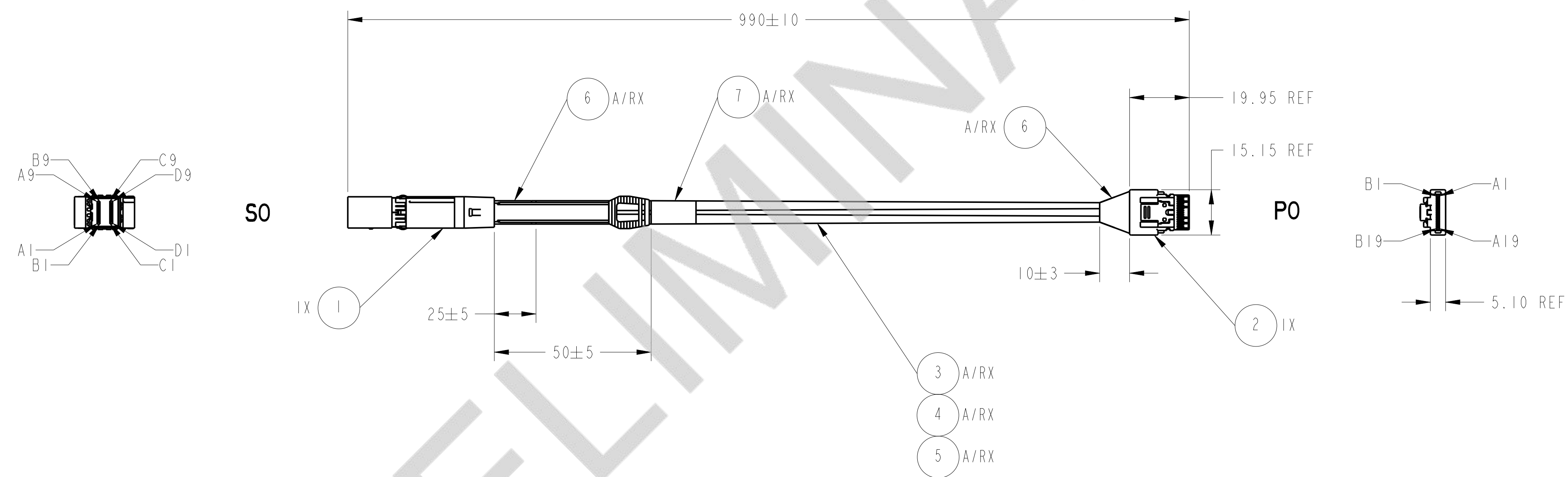


NOTES:

- DRAWING NOT TO SCALE.
- ELECTRICAL AND MECHANICAL PERFORMANCE SHALL MEET SAS4.0 AND PCIE GEN 4 INDUSTRIAL STANDARD.
- MARK LABEL (ITEM 7) WITH:
MINI SAS HD EXTERNAL (SAS LANE ORDER) TO SFF-9402
PART NUMBER
REVISION XXX
DATE CODE DD/MMM/YY
- SEE SHEET 2 FOR CABLE WIRING TABLE.

REVISIONS				
REV	ECO	DESCRIPTION	DATE	APPROVED
001		INITIAL RELEASE	20DEC17	M. LI
002	127647	WIRING TABLE PIN OUT CHANGES: S0-D1 FROM P0-A12 TO P0-B10 AND S0-B2 FROM P0-B10 TO P0-A12. SIGNAL NAME CHANGES S0-B2, P0-A10, AND P0-B10. SHORT P0-A10 AND P0-B10 TO GROUND.	16JAN18	M. LI
003	128103	REMOVE 32AWG FROM ITEM 3 AND 4. ADD 50 OHM TO ITEM 4. ADD PRELIMINARY WATERMARK.	19JAN18	M. LI



ITEM	CALLOUT	DESCRIPTION	QUANTITY	NOTES
7	LABEL	LABEL, 70X26MM, WHITE, R2, HF	1	SEE NOTE 3
6	TAPE	ACETATE TAPE, W=1 INCH	1	
5	SLEEVE	EXPANDO TUBE: OD=7MM, GREEN, VW-1, HF	1	
4	WIRE	UL1061, 50 OHM, STRANDED	1	
3	CABLE	SAS CABLE: UL20744, 100 OHM DIFF, SAS4, PCIE GEN 4, VW-1, NATURAL, HF	1	
2	CONNECTOR	SFF-8654, 38P, STRAIGHT, X4, SAS 4.0, PCIE GEN 4	1	SEE NOTE 4
1	CONNECTOR	SFF-8674, 36P, STRAIGHT, MINISAS HD X4, SAS 4.0, PCIE GEN 4	1	SEE NOTE 4

APPROVALS		DATE
DRAWN BY	D. MONTGOMERY	05DEC17
APPROVED BY	M. LI	20DEC17

Company Confidential © Copyright Broadcom Limited
All Rights Reserved. Any copy is an uncontrolled copy.
The possessor is responsible for verifying that the document's revision is current. Moreover, the possessor is responsible for removing obsolete documents from their point of use.

UNLESS OTHERWISE SPECIFIED: DIMENSIONS ARE IN MILLIMETERS. TOLERANCES: X.X ± 0.2 MM X.XX ± 0.15 MM X.XXX ± 0.050 MM ANGLES ± 1°			
SCALE 1.000		TITLE CABLE, X4 EXTERNAL MINI SAS HD TO X4 SFF-8654, 1M	
	SIZE D	DWG NO. 5067-5782	REV 003
		SHEET 1 OF 2	


CONNECTOR SIGNAL	CONNECTOR	PIN/PAD	CONNECTOR	PIN/PAD	CONNECTOR SIGNAL	WIRE/CABLE
GND	S0	D9	P0	A16	GND	ITEM 3
PETn2		D8		A15	Rx2-	ITEM 3
PETp2		D7		A14	Rx2+	ITEM 3
GND		D6		A4/A13	GND	ITEM 3, NOTE 1
PETn0		D5		A3	Rx0-	ITEM 3
PETp0		D4		A2	Rx0+	ITEM 3
GND		D3		A1	GND	ITEM 3
NC		D2		B8	SB7	NO CONNECT
NC		D1		B10	GND/SB3	NOTE 2
NA				A10	GND/SB2	NOTE 2
SCL		C1		A8	SB0	ITEM 4
SDA		C2		A9	SB1	ITEM 4
GND		C3		A4	GND	ITEM 3
PETp1		C4		A5	Rx1+	ITEM 3
PETn1		C5		A6	Rx1-	ITEM 3
GND		C6		A7/A16	GND	ITEM 3, NOTE 1
PETp3		C7		A17	Rx3+	ITEM 3
PETn3		C8		A18	Rx3-	ITEM 3
GND		C9		A19	GND	ITEM 3
GND		B9		B16	GND	ITEM 3
PERn2	B8	B15	Tx2-	ITEM 3		
PERp2	B7	B14	Tx2+	ITEM 3		
GND	B6	B13/B4	GND	ITEM 3, NOTE 1		
PERn0	B5	B3	Tx0-	ITEM 3		
PERp0	B4	B2	Tx0+	ITEM 3		
GND	B3	B1	GND	ITEM 3		
CH_DET#	B2	A12	SB6	ITEM 4		
PERST#	B1	A11	SB5	ITEM 4		
NA		B9	SB4	NO CONNECT		
RefClk+	A1	B11	SB+	ITEM 3		
RefClk-	A2	B12	SB-	ITEM 3		
GND	A3	B13/B4	GND	ITEM 3, NOTE 1		
PERp1	A4	B5	Tx1+	ITEM 3		
PERn1	A5	B6	Tx1-	ITEM 3		
GND	A6	B7/B16	GND	ITEM 3, NOTE 1		
PERp3	A7	B17	Tx3+	ITEM 3		
PERn3	A8	B18	Tx3-	ITEM 3		
GND	A9	B19	GND	ITEM 3		

NOTES

- CONNECT ITEM 3 (CABLE) DIFFERENTIAL PAIR SHIELD TO INDICATED PIN/PAD AND USE ITEM 4 (WIRE) TO SHORT TO SECOND INDICATED PIN/PAD.
- SHORT PIN/PAD P0-A10 AND P0-B10 TO GND. NO CONNECT TO CONNECTOR S0.

Company Confidential © Copyright Broadcom Limited
 All Rights Reserved. Any copy is an uncontrolled copy.
 The possessor is responsible for verifying that the
 document's revision is current. Moreover, the
 possessor is responsible for removing obsolete
 documents from their point of use.

CREO GENERATED DRAWING
 Copyright © 2017

UNLESS OTHERWISE SPECIFIED: DIMENSIONS ARE IN MILLIMETERS.		 BROADCOM [®]			
TOLERANCES: X.X ± 0.2 MM X.XX ± 0.15 MM X.XXX ± 0.050 MM ANGLES ± 1°					
TITLE CABLE, X4 EXTERNAL MINI SAS HD TO X4 SFF-8654, 1M		SIZE D	DWG NO. 5067-5782	REV 003	SHEET 2 OF 2
SCALE 1.000	