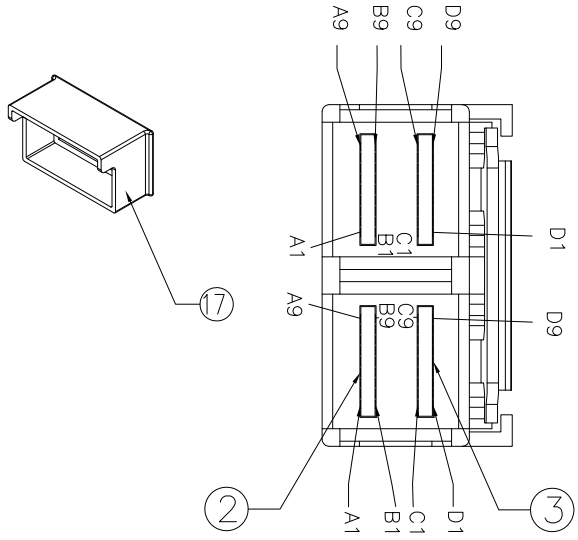
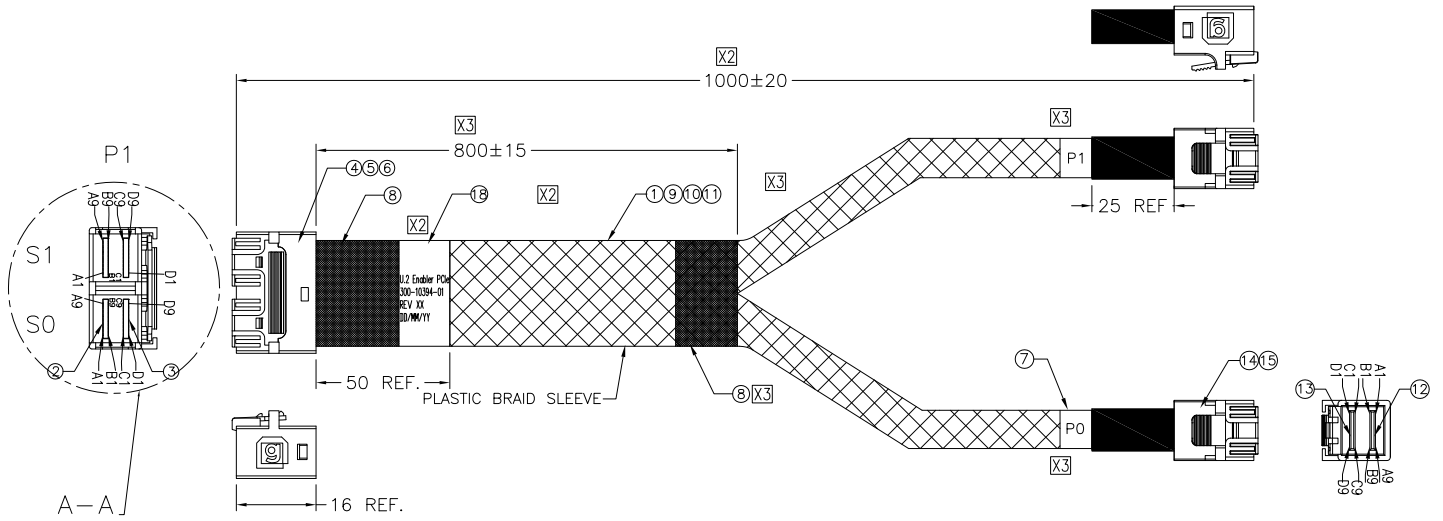


PROPRIETARY INFORMATION  
COMPANY CONFIDENTIAL

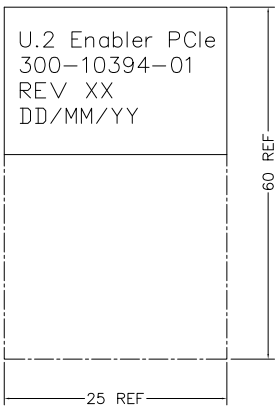
| REV. | ECN. NO. | DESCRIPTION                                                                      | ENG | DATE      |
|------|----------|----------------------------------------------------------------------------------|-----|-----------|
| X1   |          | INITIAL                                                                          | AXL | 1/27/2017 |
| X2   |          | CHANGE TITLE AND CABLE LENGTH AND LABEL                                          | AXL | 1/31/2017 |
| X3   |          | REMOVED AND CHANGED LABEL LOCATION AND CHANGED SPLIT LENGTH AND ADD ACETATE TAPE | AXL | 6/27/2017 |



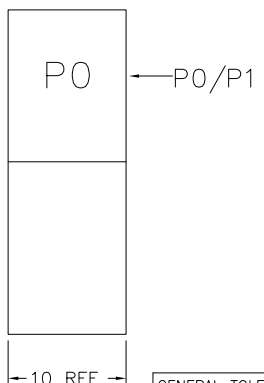
NOTES:

- CABLE :  
CONDUCTOR: 30AWG SOLIDER TINNED COPPER  
INSULATION: HDPE  
PAIR DRAIN WIRE: 30AWG TINNED COPPER  
PAIR SHIELD: HOT MELT ALUMINUM MYLAR
- PCB: ISOLA 370HR
- SFF 8643 HOUSING: ABS, WHITE
- THIS PRODUCT CONFORMS TO THE MECHANICAL DIMENSIONING REQUIREMENTS OF SFF-8643
- THIS PRODUCT MEETS SAS3.0
- IMPEDANCE: 100 OHMS
- ASSEMBLY SCHEMATIC IS AVAILABLE ON Genesis CONTROLLED DOCUMENT 360-10027-01
- RoHS Compliance

LABEL INFORMATION



LABEL:



| NO.   | DESCRIPTION                                              | P/N                  | Q'TY |
|-------|----------------------------------------------------------|----------------------|------|
| X2 18 | ID LABEL, 60*25MM, WRAPPING AROUND                       | TBD                  | 1    |
| 17    | DUST COVER FOR SFF-8643 8x, PE, NATUAL                   | P-HSIPE-0005         | 1    |
| 16    | HD SAS INT. DUST COVER, PE                               | P-HSIPE-0003         | 2    |
| 15    | HOUSING FOR SFF-8643, ABS, WHITE                         | TBD                  | 2    |
| 14    | INNER MOLDING FOR SFF-8643, PVC, BLACK                   | P-HSIPE-0005         | 2    |
| 13    | PCB FOR SFF-8643, 4L, AU30u", C&D SIDE                   | P-HSI2830-02B        | 2    |
| 12    | PCB FOR SFF-8643, 4L, AU30u", A&B SIDE                   | P-HSI2830-01B        | 2    |
| 11    | FLAT CABLE, 30AWG, 0.8PITCH, PVC,BLACK/PURPLE/BULE/GREEN | CAB-FLA-Y-4P-30PC-01 | A/R  |
| 10    | FLAT CABLE, 30AWG, 0.8PITCH, PVC,YELLOW/ORANGE/RED/WHITE | CAB-FLA-Y-4P-30PC    | A/R  |
| 9     | PLASTIC BRAID SLEEVE, Ø8.0, PET, GREEN                   | TBD                  | A/R  |
| 8     | ACETATE TAPE. W=25MM, BLACK                              | O-AT-S-0004          | A/R  |
| X3 7  | LABEL, 10*40MM                                           | L-04-S-0002          | 2    |
| 6     | HOUSING FOR SFF-8643 DUAL STR, ABS, BLACK                | P-HSIAB-0006-G       | 1    |
| 5     | INNER MOLDING FOR SFF-8643 DUAL, BLACK C/D               | P-HSIPE-00110        | 1    |
| 4     | INNER MOLDING FOR SFF-8643 DUAL, BLACK A/B               | P-HSIPE-00100        | 1    |
| 3     | PCB FOR SFF-8643 DUAL STR, 4L, AU30u" C/D                | P-HSI2830-09         | 1    |
| 2     | PCB FOR SFF-8643 DUAL STR, 4L, AU30u" A/B                | P-HSI2830-08         | 1    |
| 1     | SAS CABLE, 30AWG, DERAN, FOIL COLOR SILVER               | CAB-MSI-D-30MM       | A/R  |

|                                                                       |                                                   |              |                   |                              |
|-----------------------------------------------------------------------|---------------------------------------------------|--------------|-------------------|------------------------------|
| GENERAL TOLERANCE<br>X.± 0.50<br>.XX± 0.20<br>.XX± 0.10<br>.XXX± 0.05 | ANGLE TOLERANCE<br>X°±<br>.X°±<br>.XX°±<br>.XXX°± | DRAWN<br>AXL | DATE<br>6/27/2017 |                              |
| MATL<br>SEE BOM                                                       | FINISH<br>SEE NOTES                               | CHECKED      | DATE              |                              |
| SCALE<br>N/A                                                          | UNIT<br>mm                                        | APPROVED     | DATE              | PART NUMBER.<br>300-10394-01 |
| SHEET 1 OF 1                                                          |                                                   |              |                   | DRAWING NO.<br>300-10394     |
|                                                                       |                                                   |              |                   | SIZE<br>A4<br>REV.<br>X3     |