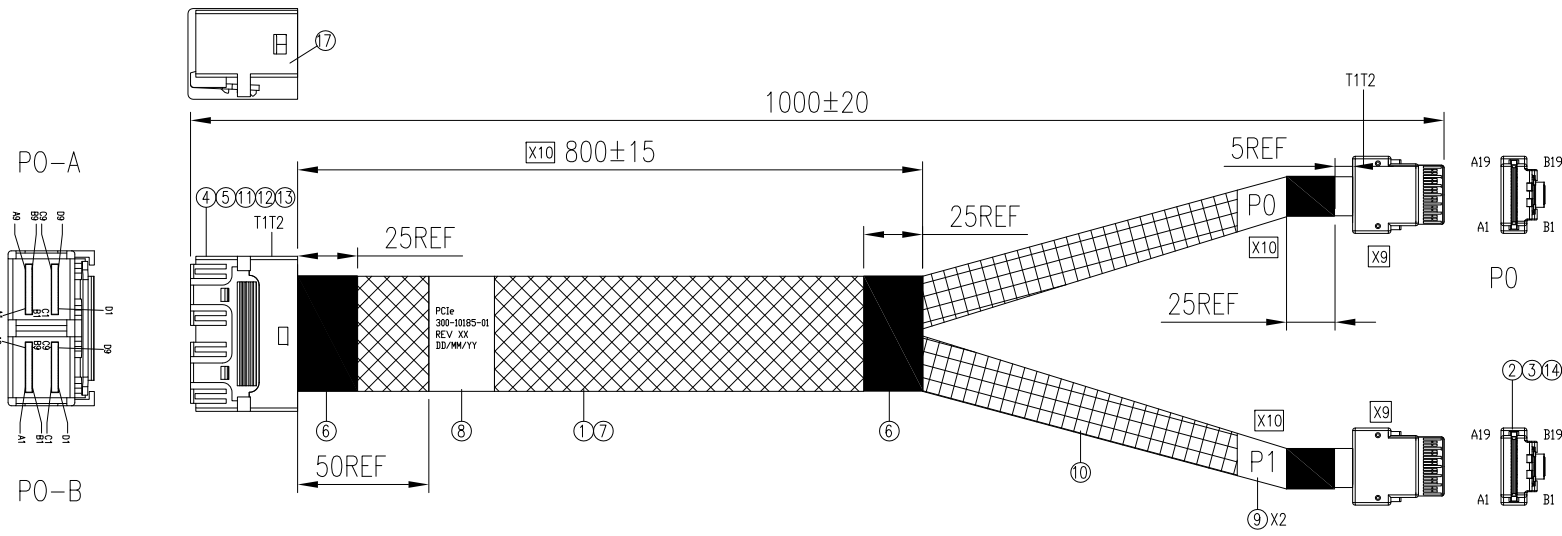


PROPRIETARY INFORMATION
COMPANY CONFIDENTIAL

REV.	ECN.NO.	DESCRIPTION	ENG	DATE
X1		INITIAL	HSIO	6/16/2016
X2		INCREASE LABEL INFORMATION AND ADD NOTES 7 AND CHANGE BOM LIST	HSIO	6/21/2016
X3		REMOVED SFF-8643 FROM THE LABEL CHANGE BOM ITEM #10 TO GREEN AND BLACK	AXL	9/12/2016
X4		REMOVED SFF-8654 FROM THE LABEL CHANGE PLASTIC BRAID LABEL CONTENT	Loyf	10/08/2016
X5		CHANGE PORT DESIGNATION AND LABEL WAS	P2 AXL	3/10/2017
X6		UPDATE THE DRAWING	Loyf	4/24/2017
X7		ADD ITEM-10 & REMOVE NOTE 1-VERSION	Loyf	4/28/2017
X8		CHANGE LABEL TO REV XX BOM REV 07 AND CHANGE TO PROTECT MARK AND REMOVE 1/2 500MM	AXL	5/31/2017
X9		CHANGE THE PLUG HOLE	Loyf	6/15/2017
X10		CHANGE LABEL AND LENGTH WAS 500mm	AXL	6/27/2017



18	P-SLMPE-0001	2pcs	SFF-8654 4X STR DUST COVER, PE	
17	P-HSIPE-0003	1pcs	SFF-8643 DUAL STR DUST COVER, PE	
16	M-SSISLKN-01	2pcs	RIVET FOR SFF-8654	
15	M-SATSLOT-02	2pcs	LATCH FOR SFF-8654	
14	P-SMLPC-0001-G	2pcs	HOUSING FOR SFF-8654 4X, BLACK	
13	P-HSIAB-0006A	1pcs	HOUSING FOR SFF-8643 DUAL STR, ABS, BLACK	
12	P-HSIPE-00110	1pcs	INNER MOLDING FOR SFF-8643 DUAL, BLACK C/D	
11	P-HSIPE-00100	1pcs	INNER MOLDING FOR SFF-8643 DUAL, BLACK A/B	
10	O-NB-S-00040	2pcs	PLASTIC BRAID SLEEVE, Ø8.0, PET, GREEN	
9	L-04-S-0002	2pcs	60*10*20mm	
8	L-04-S-0003	1pcs	60*25*20mm	
7	O-NB-S-00010	2pcs	PLASTIC BRAID SLEEVE, GREEN	
6	O-AC-S-0001	4pcs	ACETATE TAPE, BLACK	
5	P-HSI2830-02B	1pcs	PCB FOR SFF-8643 DUAL STR, 4L, AU30u" C/D	
4	P-HSI2830-01B	1pcs	PCB FOR SFF-8643 DUAL STR, 4L, AU30u" A/B	
3	P-SLMST-0001	2pcs	INNER MOLDING FOR SFF-8654 4X, BLACK	
2	P-SLM3230-020	2pcs	PCB FOR SLIMSAS 4I, 6L, AU30u"	
1	CAB-FLA-Y-30PC-02	A/R	FLAT CABLE 30AWG, GRAY	
	CAB-MSI-X-32MN	A/R	SAS CABLE, 32AWG, 100 OHM	
ITEM	NAME	Q'TY	DESCRIPTION	NOTE

GENERAL TOLERANCE	ANGLE TOLERANCE	DRAWN	DATE
X.± 0.50	X°± 5.0°	AXL	06/27/2017
.X± 0.35	.X°± 3.0°	CHECKED	DATE
.XX± 0.25	.XX°± 2.0°	APPROVED	DATE
.XXX± 0.05	.XXX°± 1.0°		

		TITLE: MINI SAS HD 8I TO SLIMSAS 4I
MATERIAL:		PART NUMBER: 300-10185-01
SCALE: N/A	UNIT: mm	DRAWING NO.: 300-10185
SHEET 1 OF 1		SIZE: A4 REV: X10

NOTES:
1.ASSEMBLE SCHEMATIC IS AVAILABLE ON Genesis CONTROLLED DOCUMENT 360-10010-01
2.THIS PRODUCT MEETS SAS3.0.
3.DUST COVER INSTALLED ON BOTH END.

