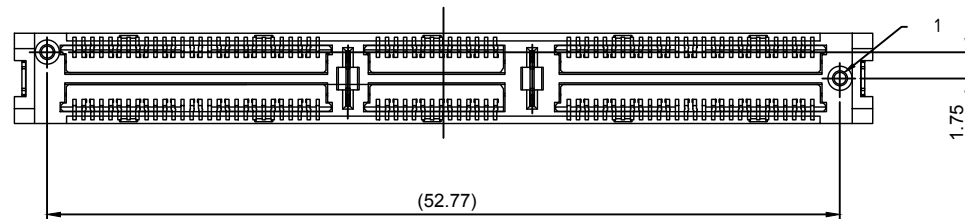
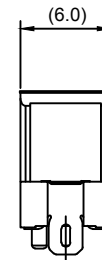
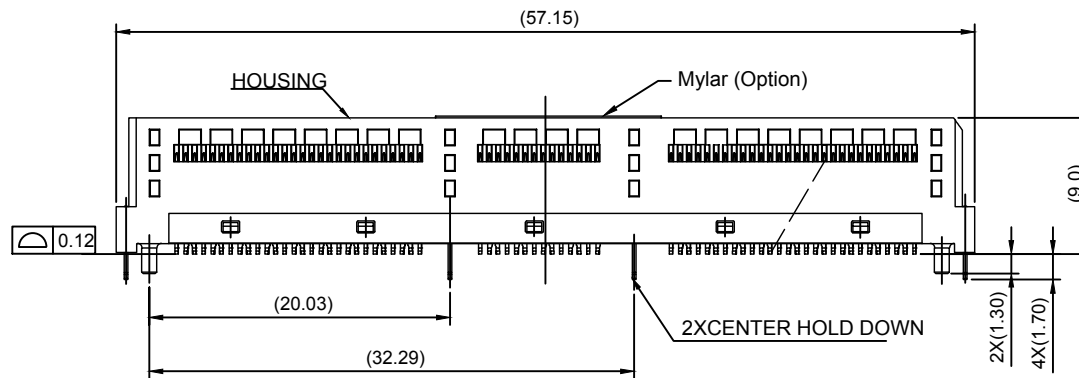
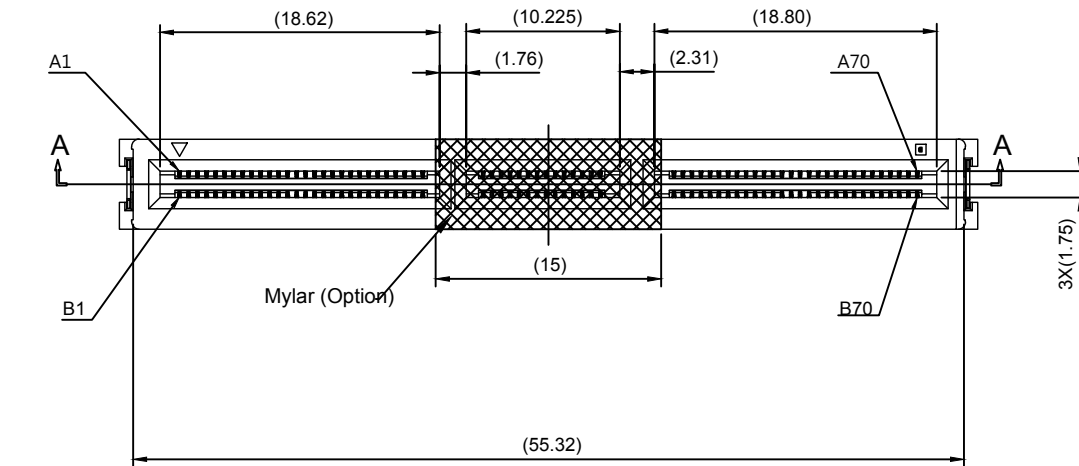
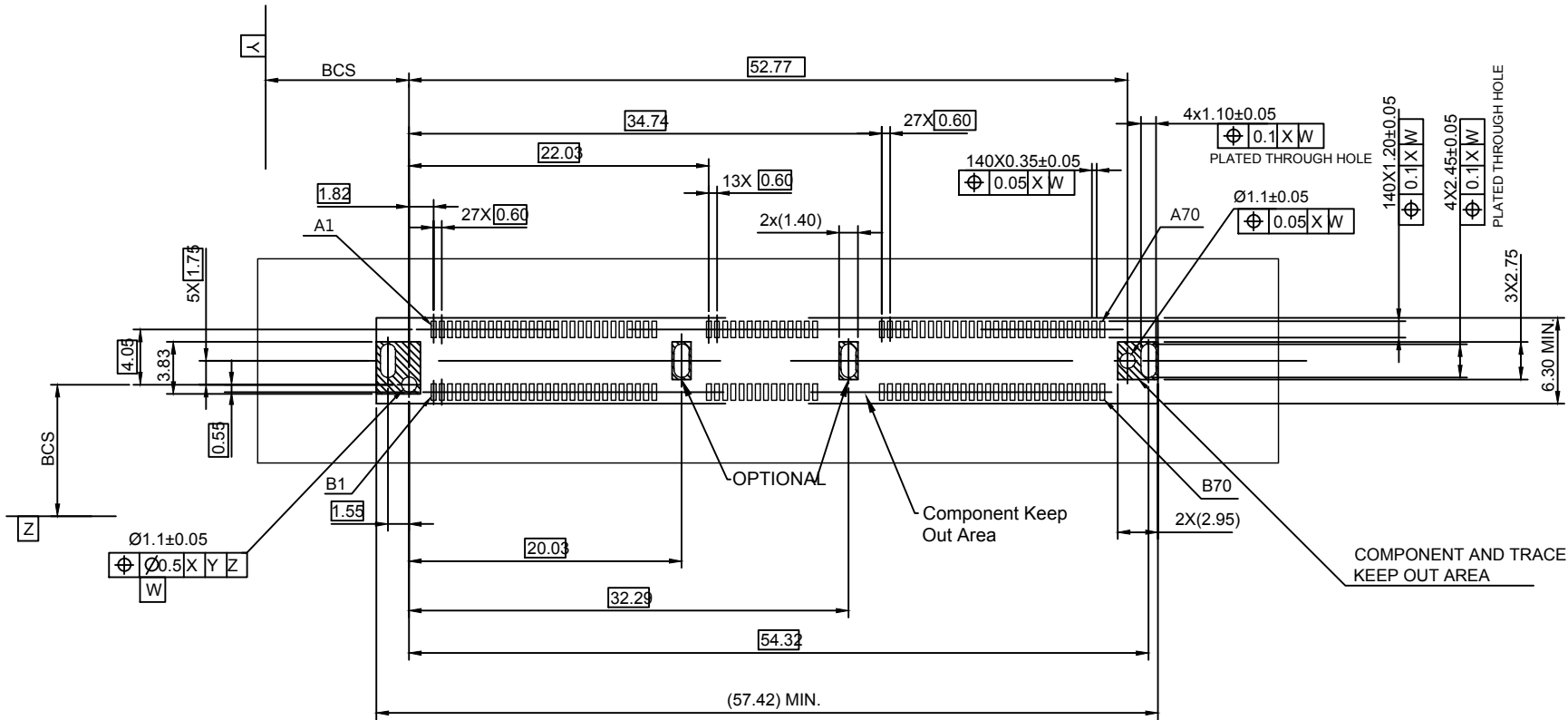


NOTES:

- MATERIAL:
  - 1.1 HOUSING : THERMOPLASTIC, HIGH TEMP., UL94V-0; COLOR:BLACK.
  - 1.2 CONTACT : COPPER ALLOY
  - 1.3 HOLD DOWN : COPPER ALLOY OR STAINLESS
- FINISH:
  - CONTACT: SEE ORDER INFORMATION.
  - SOLDER : TIN PLATED
  - HOLD DOWN: TIN PLATED
  - 50-100u" NICKEL UNDERPLATED OVERALL.
- PLATING: GOLD 30u" CONTACT



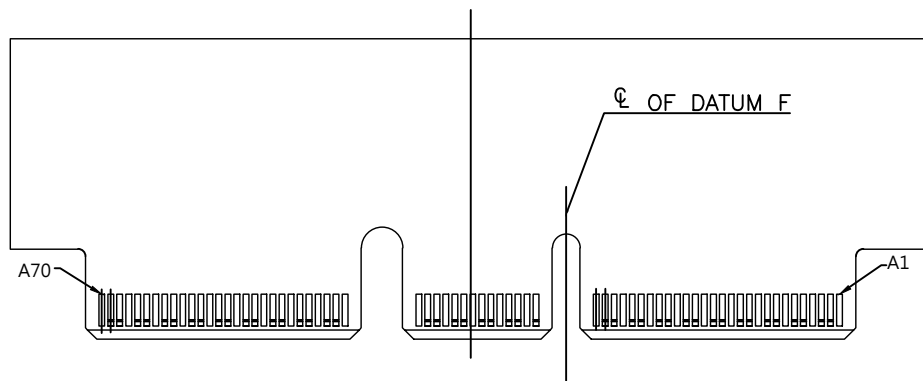
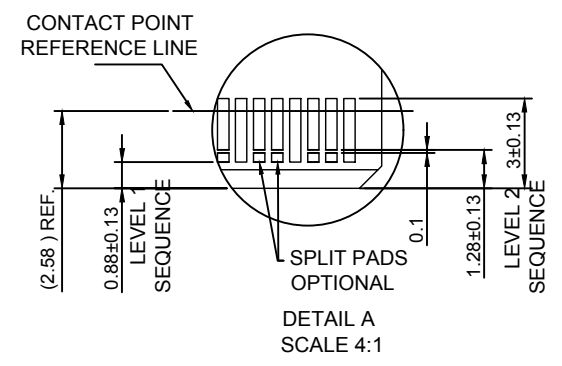
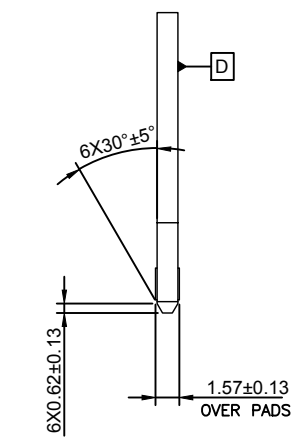
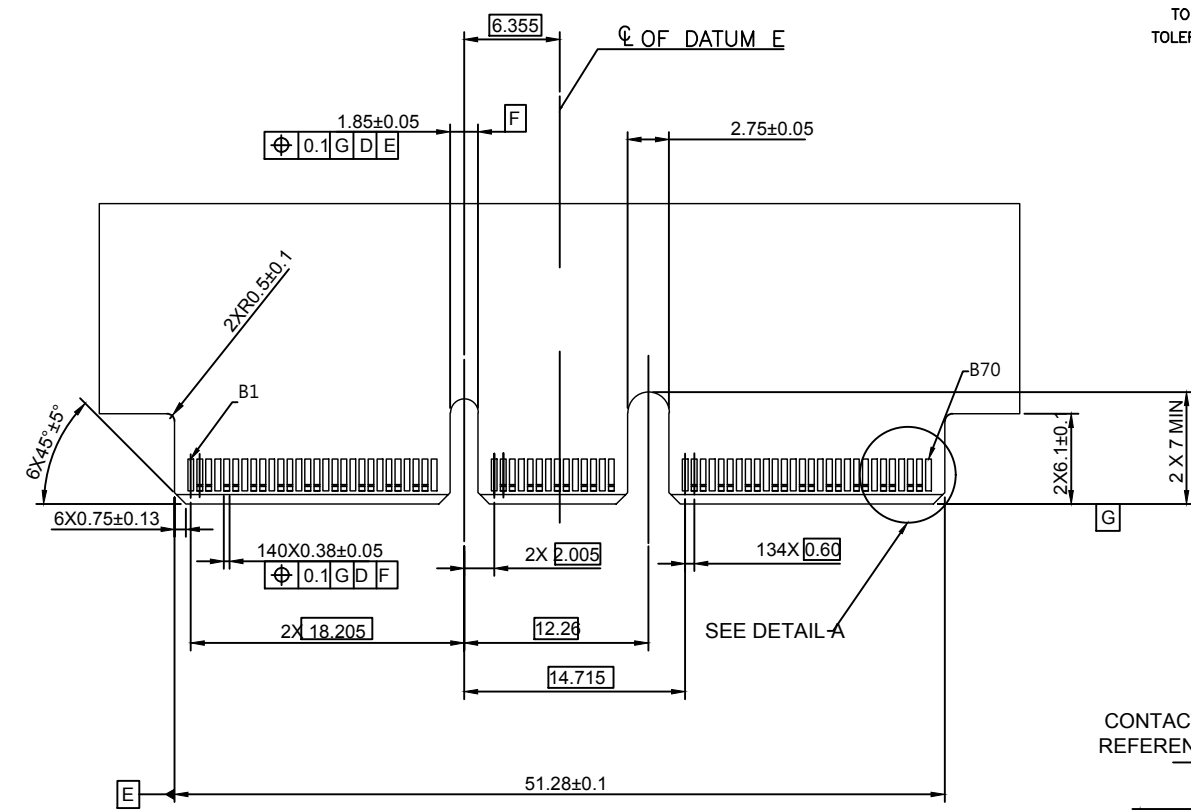
GENERAL TOLERANCE X.±0.5 .X±0.25 .XX±0.15 .XXX±0.1	ANGLE TOLERANCE X°±2 .X°±2 .XX°±2 .XXX°±2	DRAWN KYLE	DATE 1/13/2020		TITLE 0.6MM PITCH STRAIGHT MOUNT 140 PIN, NON SHELL
MATL SEE BOM	FINISH SEE NOTES	CHECKED	DATE		PART NUMBER. 106-10060-01
SCALE N/A	UNIT MM	APPROVED	DATE	DRAWING NO. 106-10060	SIZE A4 REV. X1
SHEET 1 OF 2					



RECOMMENDED PCB LAYOUT

GENERAL TOLERANCE X.±0.5 .X±0.25 .XX±0.15 .XXX±0.1		ANGLE TOLERANCE X°±2 .X°±2 .XX°±2 .XXX°±2		DRAWN KYLE	DATE 1/13/2020		TITLE 0.6MM PITCH STRAIGHT MOUNT 140 PIN, NON SHELL
FINISH SEE NOTES		CHECKED		DATE	PART NUMBER 106-10060-01		
SCALE N/A		UNIT MM		APPROVED	DATE	DRAWING NO. 106-10060	SIZE A4 REV. X1
SHEET 2 OF 2							

RECOMMENDED PCB OUTLINE DIMENSIONS.  
TOLERANCE VALUES ARE CRITICAL. PLEASE BE SURE TO DESIGNATE  
TOLERANCES TO PCB SUPPLIER TO ENSURE OPTIMIZED FUNCTIONALITY



GENERAL TOLERANCE X±0.5 .X±0.25 .XX±0.15 .XXX±0.1	ANGLE TOLERANCE X°±2 .X°±2 .XX°±2 .XXX°±2	DRAWN KYLE	DATE 1/13/2020	
FINISH SEE NOTES		DESIGN	DATE	
MATERIAL SEE BOM		CHECKED	DATE	PART NUMBER 106-10060-01
SCALE N/A	UNIT MM	APPROVED	DATE	DRAWING NO. 106-10060
SHEET 3 OF 3				SIZE A4 REV. X1