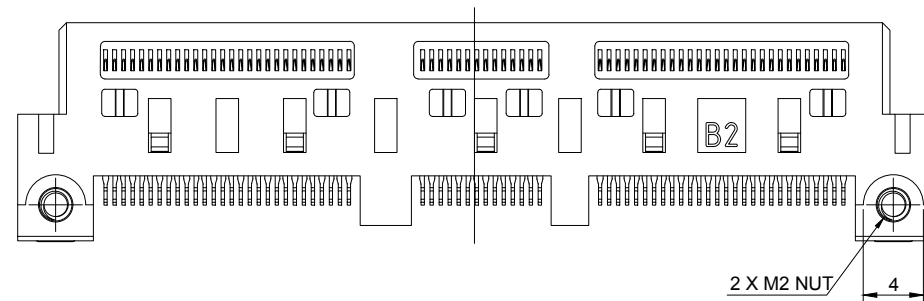
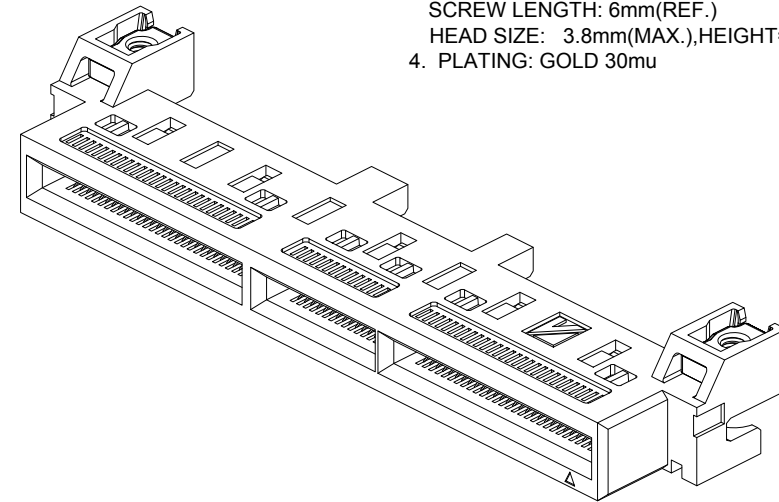
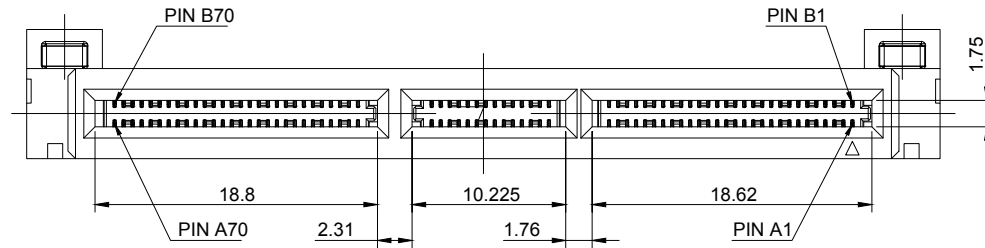
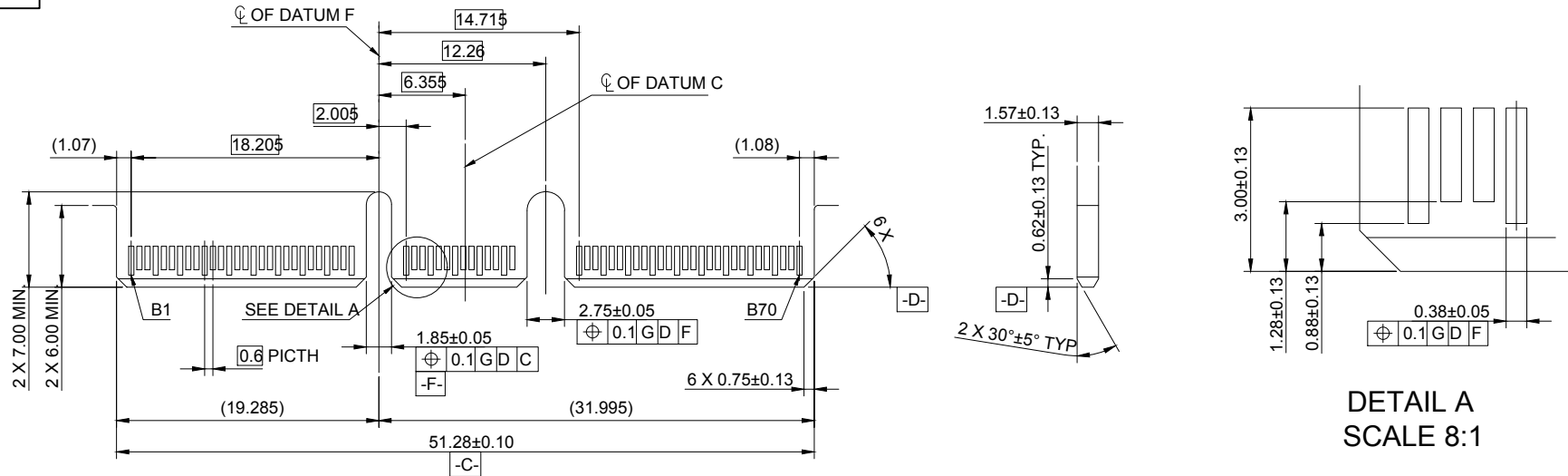


- NOTES :
- MATERIAL :
1.1 HOUSING : THERMOPLASTIC, HIGH TEMP., UL94V-0; COLOR : BLACK.
1.2 CONTACT : COPPER ALLOY
1.3 NUT PLATE : STEEL
 - FINISH :
CONTACT : SEE ORDER INFORMATION.
SOLDER : GOLD FLASH PLATING.
50-100u" NICKEL UNDERPLATED OVERALL.
 - RECOMMENDED SCREW SPEC.
SCREW SIZE: M2
SCREW LENGTH: 6mm(REF.)
HEAD SIZE: 3.8mm(MAX.), HEIGHT=1.6mm(MAX.)
 - PLATING: GOLD 30mu

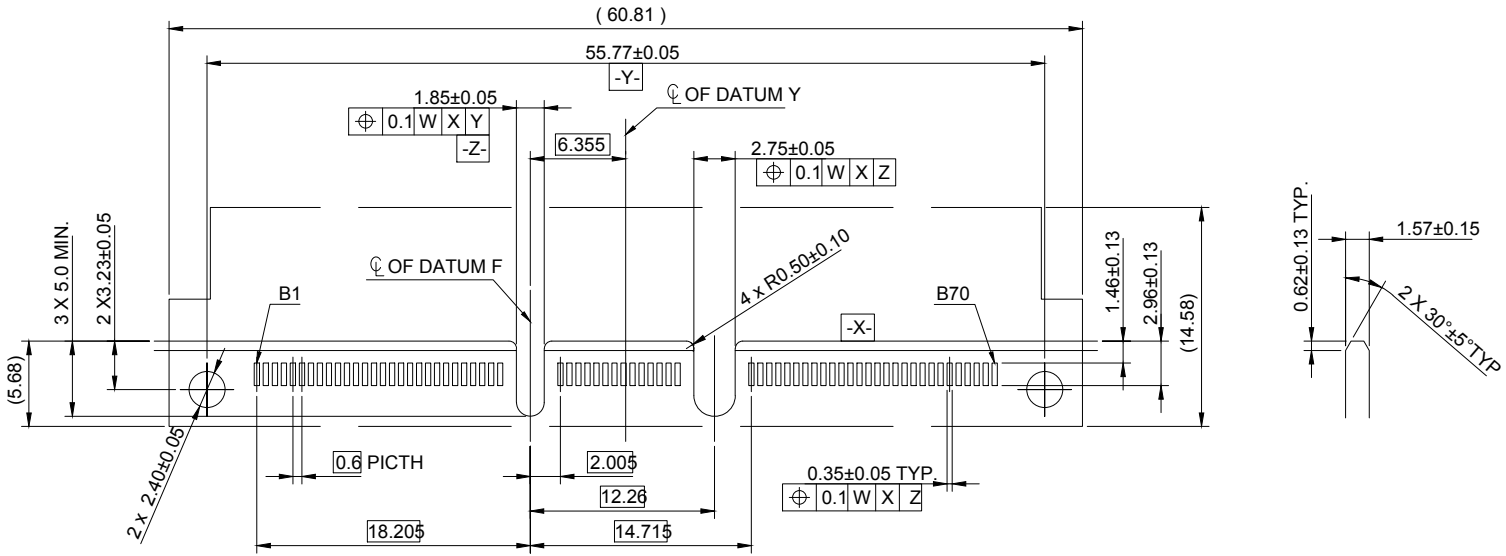


GENERAL TOLERANCE X.±0.5 .X±0.25 .XX±0.15 .XXX±0.1	ANGLE TOLERANCE X°±2 .X°±2 .XX°±2 .XXX°±2	DRAWN KYLE	DATE 1/13/2020		TITLE 0.6MM PITCH EDGE CARD CONN. 140 PIN, STRADDLE D/R S/T TYPE
MATL SEE BOM	FINISH SEE NOTES	CHECKED	DATE		PART NUMBER. 106-10054-01
SCALE N/A	UNIT MM	APPROVED	DATE	DRAWING NO. 106-10054	SIZE A4 REV. X1
SHEET 1 OF 2					



NOTE: 1. POSITION A1 ON OPPOSITE SIDE OF CARD OF B1.
2. DATUM G IS THE PCB SOLDER SURFACE.

**RECOMMENDED EDGE CARD LAYOUT
(BASE ON SFF-TA-1002 SPECIFICATION)**



NOTE: 1. POSITION A1 ON OPPOSITE SIDE OF CARD OF B1.
2. DATUM W IS THE PCB SOLDER SURFACE.

**RECOMMENDED HOST BOARD LAYOUT
(BASE ON SFF-TA-1002 SPECIFICATION)**

GENERAL TOLERANCE X.±0.5 .X±0.25 .XX±0.15 .XXX±0.1	ANGLE TOLERANCE X°±2 .X°±2 .XX°±2 .XXX°±2	DRAWN KYLE	DATE 1/13/2020	
FINISH SEE BOM		CHECKED	DATE	
SCALE N/A		APPROVED		PART NUMBER 106-10054-01
SHEET 2 OF 2		UNIT MM		DRAWING NO. 106-10054
				SIZE A4 REV. X1