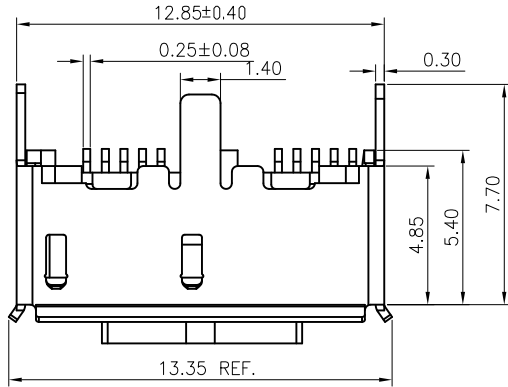


PROPRIETARY INFORMATION
COMPANY CONFIDENTIAL



Pin No.	Signal Name
1	VBUS
2	D-
3	D+
4	ID
5	GND
6	MicB_SSTX-
7	MicB_SSTX+
8	GND_DRAIN
9	MicB_SSRX-
10	MicB_SSRX+

REV.	ECN. NO.	DESCRIPTION	ENG	DATE
X1		INITIAL	AXL	09/30/14'
X2		ADD PCB LAYOUT AND ADJUST THE LENGTH OF THRU-HOLE LEGS	AXL	10/06/14'
X3		ADD AND EDIT DIMENSIONS	AXL	10/21/14'
X4		MODIFY DIMENSION 1.4mm to 0.8mm FROM LEFT POST	Knight	11/07/14'
X5		CHANGE GOLD PLATING OPTION WAS 30u"	AXL	11/25/14'
X6		ADD WITHOUT POST ORDER	Knight	08/04/15'
X7		REMOVE ALIGNMENT POST	Knight	01/27/16'
X8		ADD MUBV-2410 OPTION	AXL	04/01/16'
X9		ADD DIMENSION	YIN	03/12/18'

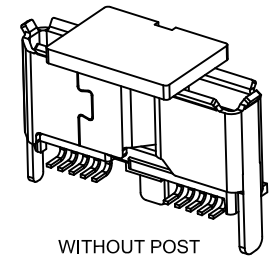
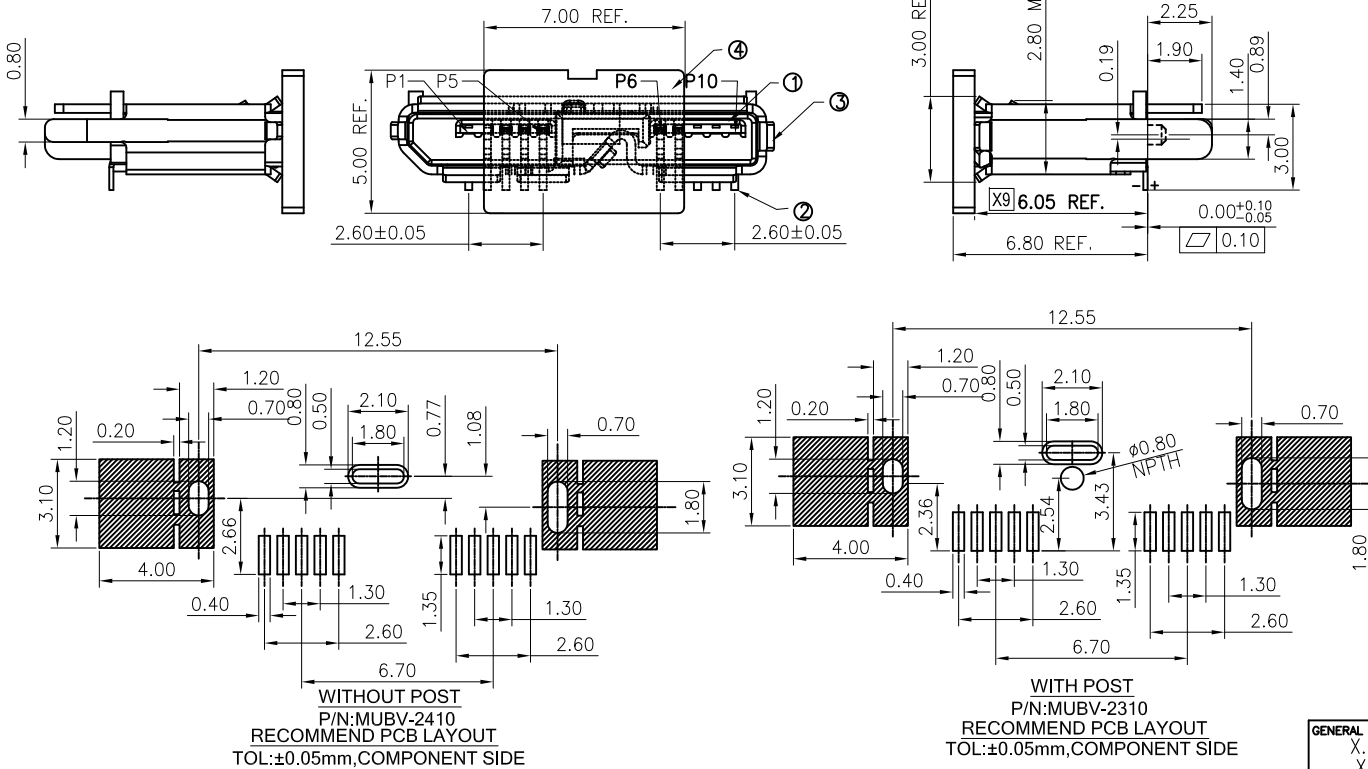
NOTES:

- MECHANICAL:
 - INSERTION FORCE: 35N Max
 - WITHDRAWAL FORCE: 8N Min
 - DURABILITY: 10000 CYCLES Min
- ELECTRICAL SPECIFICATION:
 - CURRENT RATING: 1.8A (ONLY PIN 1,5), 0.25A FOR OTHER PIN;
 - CONTACT RESISTANCE: 30mΩ Min
 - INSULATION RESISTANCE: 100MΩ Min
 - DIELECTRIC WITHSTANDING VOLTAGE: 100V AC Min
- ENVIRONMENTAL
 - OPERATING TEMPERATURE: -55 °C TO +85 °C

ORDER INFORMATION:

X8 X7 X5 MUBV-2X 10 - B K 5 3 R
① ② ③ ④ ⑤ ⑥ ⑦

- X7 X6** 1. TYPE
MUBV-23. Micro USB 3.0 Vertical B Type with thruhole leg with post
X8 MUBV-24. Micro USB 3.0 Vertical B Type with thruhole leg without post
- POSITIONS
10:10 POSITIONS
 - INSULATOR MATERIAL
B: LCP
 - INSULATOR COLOR
K: BLACK
 - CONTACT PLATING
X5 5: GOLD 15u"
 - SHIELD PLATING
7: NICKEL PLATED
 - PACKING
R: TAPE



4	CAP	1	LCP+50%G.F	BLACK, UL94 V-0
3	SHELL	1	SUS,NICKEL 40u" MIN PLATING	
2	CONTACT	10	PHOSPHOR BRONZE, GOLD PLATING ON CONTACT AREA, GOLD FLASH PLATING ON SOLDER AREA, NICKEL 50u" MIN UNDER PLATING OVERALL	
1	HOUSING	1	LCP+50%G.F	BLACK, UL94 V-0
ITEM	NAME	Q'TY	DESCRIPTION	NOTE

GENERAL TOLERANCE	ANGLE TOLERANCE	DRAWN	DATE	
X, ± .X±0.40 .XX±0.30 .XXX±0.20	X°± .X°± .XX°± .XXX°±	AXL	04/01/16'	
MATL	SEE BOM	DESIGN	DATE	PART NUMBER: MUBV-2X10-BK53R X6 X7
FINISH	SEE NOTES	APPROVED	DATE	DRAWING NO. GT23-300357
SCALE	N/A			SIZE A4
SHEET	1 OF 1			REV. X9