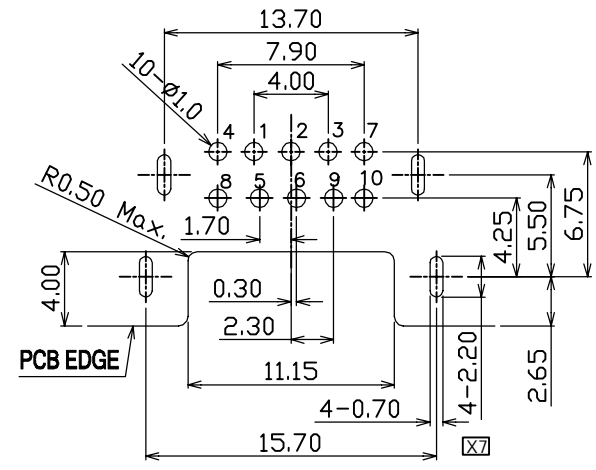
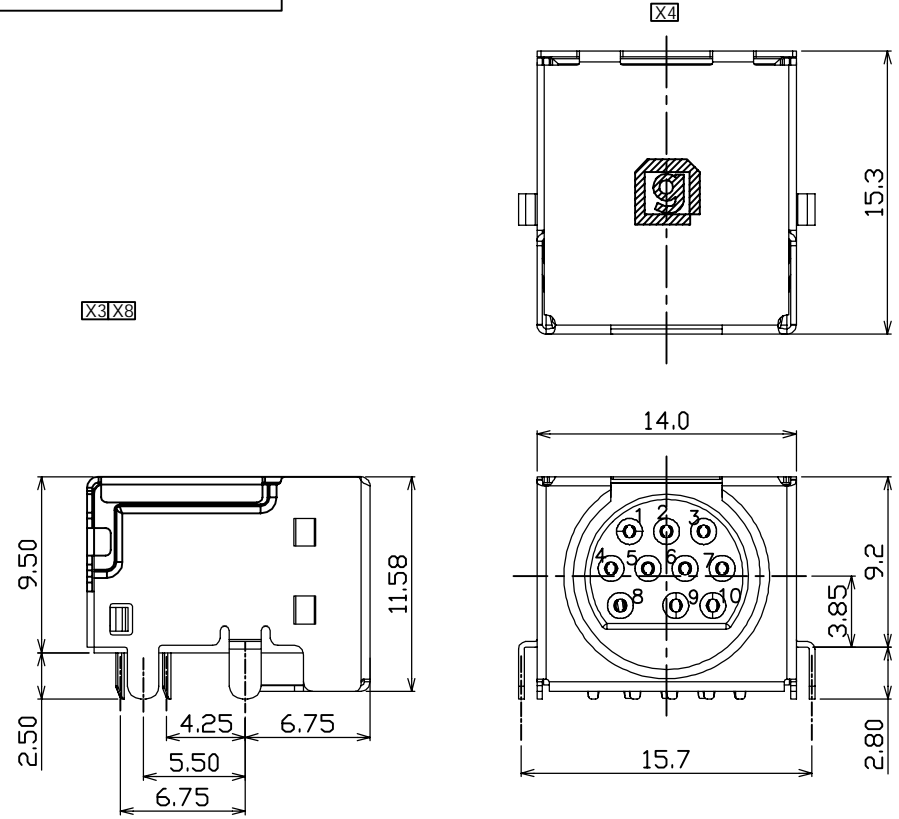


PROPRIETARY INFORMATION
COMPANY CONFIDENTIAL

REV	ECN. NO.	DESCRIPTION	ENG	DATE
X1		INITIAL	JASON	06/18'14
X2		ADD PART NUMBER	DANIEL	06/19'14
X3		REVISE DRAWING	DANIEL	01/22'16
X4		CORRECT SHIELD	TERRY	03/03'16
X5		ADD NOTES 5	TERRY	03/08'16
X6		REVISED OPERATION TEMPERATURE	TERRY	03/25'16
X7		REVISED PCB LAYOUT	TERRY	04/18'16
X8		REVISED SHIELD	MIKE	03/29'17

A
B
C
D
E



PART. NUMBER

MDIR-2B 10 - A K * 2 T 01
① ② ③④⑤⑥⑦

- ① CONNECTOR:
MDIR-2B: mini DIN CONNECTOR
- ② POSITION:
10: 10 POSITIONS
- ③ INSULATOR MATERIAL:
A: PBT
- ④ INSULATOR COLOR:
K: BLACK
- ⑤ CONTACT PLATING:
5: 15u" GOLD
6: 30u" GOLD
- ⑥ SHIELD PLATING
2: TIN PLATING
- ⑦ PACKING
T: TRAY

NOTES:

1. CURRENT RATING: 2A MAX.
2. CONTACT RESISTANCE: 30mΩ MAX.
3. INSULATION RESISTANCE: 100MΩ MIN. AT 250V DC
4. DIELECTRIC WITHSTANDING VOLTAGE: 250V AC / 1 MINUTE
- ⓧ5 5. MECHANICAL CHARACTERISTICS:
INSERTION FORCE: 4.5kgf MAX.
WITHDRAWAL FORCE: 3.5kgf MAX.
LOCK FORCE: 5.0kgf MIN
- ⓧ6 6. OPERATING TEMPERATURE: -25°C TO +95°C
7. RoHS 6/6 COMPLIANT

ITEM	NAME	Q'TY	DESCRIPTION	MATERIAL	FINISH / COLOR	NOTE	GENERAL TOLERANCE	ANGLE TOLERANCE	DRAWN	DATE		
4	SPACER	1		PBT+15%GF,UL 94 V-0	BLACK	UL 94V-0	X.±	X°± 5.0°	JASON	06/18'14		TITLE: LOW PROFILE 10PIN miniDIN CONNECTOR R/A RECEPTACLE DIP TYPE
3	SHELL	1		STAINLESS STEEL,T=0.3mm.	CuSn 80u" PLATED		.X± 0.40	.X°±	DESIGN		PART NUMBER: MDIR-2B10-AK*2T01	
2	TERMINAL	10		Phosphor Bronze,T=0.2mm.	See Part Number		.XX± 0.30	.XX°±	CHECKED			DRAWING NO. GT23-250183
1	HOUSING	1		PBT+15%GF,UL 94 V-0	BLACK	UL 94V-0	.XXX±	.XXX°±	APPROVED		SIZE A4 REV. X8	
							MATL	SEE BOM				
							FINISH	SEE NOTES				
							SCALE	N/A	UNIT	mm		
							SHEET	1 OF 1				