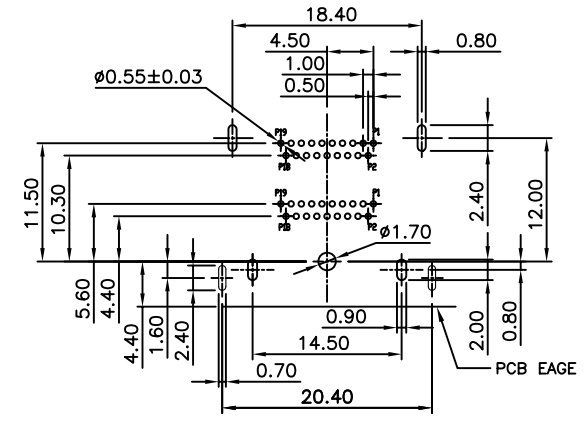
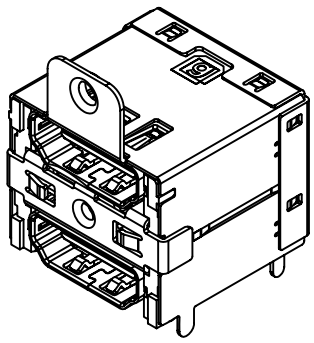
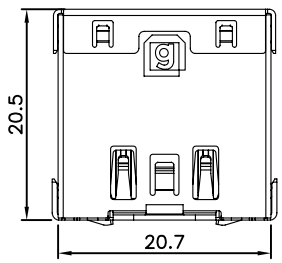
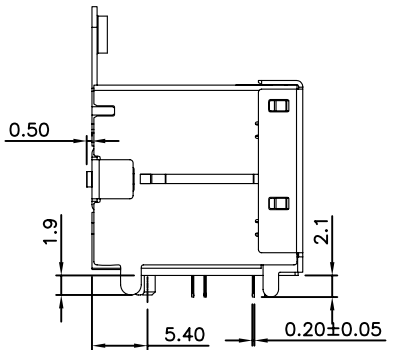
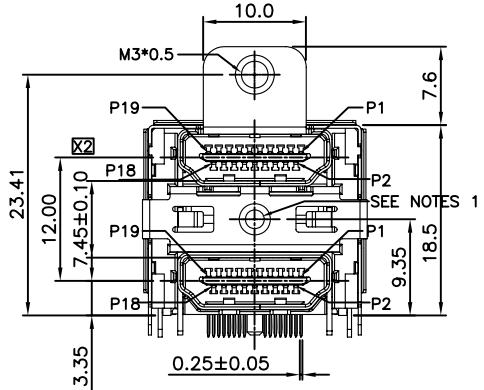


PROPRIETARY INFORMATION
COMPANY CONFIDENTIAL

REV.	ECN. NO.	DESCRIPTION	ENG	DATE
X1		ISSUED	DANIEL	09/05/14'
X2		ADD DIMENSION	TERRY	06/17/15'



Recommended PCB Layout
Tolerance=±0.05



- NOTES:
1. USE M2x0.4 COMMON SCREW.
2. RoHS COMPLIANT.

- ORDER INFORMATION:
HDAR - 84 38 - B K * 3 T
① ② ③ ④ ⑤ ⑥ ⑦ ⑧
- CONNECTOR:
HDAR: HDMI R/A CONNECTOR
 - TYPE:
84: HDMI DIP TYPE, WITH SCREW TAB
 - POSITIONS:
38: 38 POSITIONS
 - INSULATOR MATERIAL:
B: LCP
 - INSULATOR COLOR:
K: BLACK
 - CONTACT PLATING:
1: GOLD 1u"
5: GOLD 15u"
 - SHIELD PLATING:
3: NICKEL PLATED
 - PACKING:
T: TRAY

8	OUT SHELL	1	STEEL	30u" Nickel Plating Overall
7	BACK SHELL	1	STEEL	30u" Nickel Plating Overall
6	MIDDLE SHELL	1	SUS	None Plating
5	LOWER SHELL	1	SUS	30u" Nickel Plating Overall
4	UPPER SHELL	1	SUS	None Plating
3	CONTACT	38	BRASS	Gold Plated On Contact Area, 50u" Tin Plated on Solder Tail Area, Both Over 30u" Nickel Under-plated
2	SPACER	1	SEE ORDER INFORMATION	UL94V-0, Black
1	HOUSING	1	SEE ORDER INFORMATION	
ITEM	NAME	Q'TY	MATERIAL	NOTE

GENERAL TOLERANCE	ANGLE TOLERANCE	DRAWN	DATE	
X ± .X ± 0.38 .XX ± 0.25 .XXX ± 0.15	X° ± .X° ± .XX° ± .XXX° ±	TERRY	06/17/15'	
		DESIGN	DATE	TITLE: STACK HDMI A TYPE SOCKET WITH SHIELD CONNECTOR
		TERRY	06/17/15'	
MATL. SEE BOM		CHECKED	DATE	PART NUMBER.
FINISH SEE BOM		TERRY	06/17/15'	HDAR-8438-BK*3T
SCALE N/A UNIT mm		APPROVED	DATE	DRAWING NO.
SHEET 1 OF 1		DANIEL	06/17/15'	GT23-250191
				SIZE A4 REV. X2