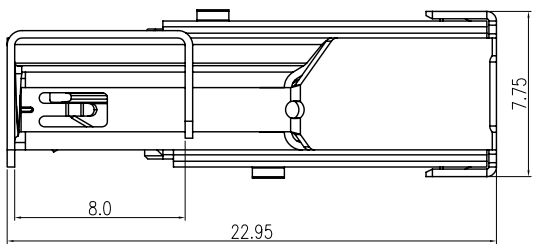
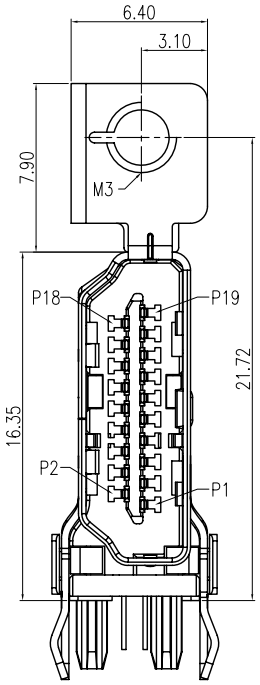


1 2 3 4 5 6 7 8

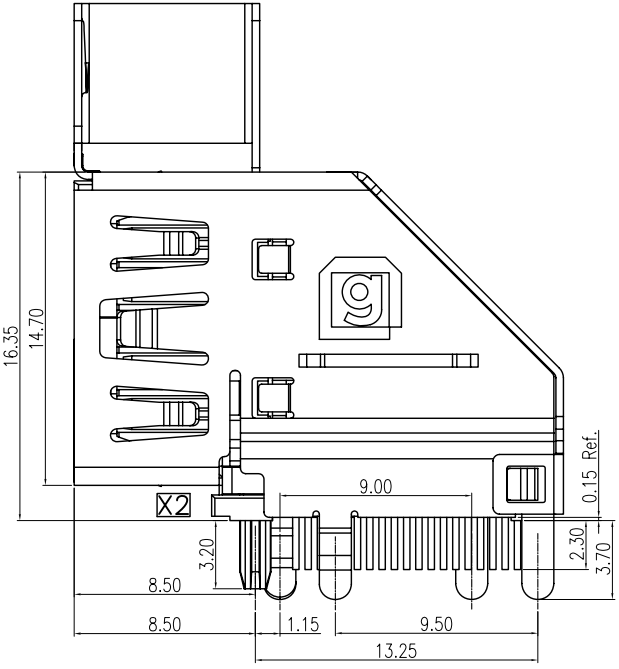
A



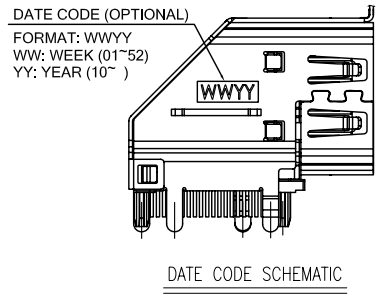
B




C



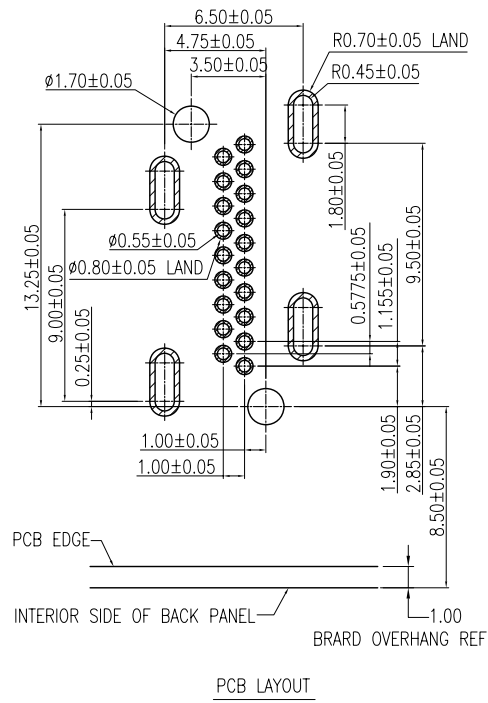
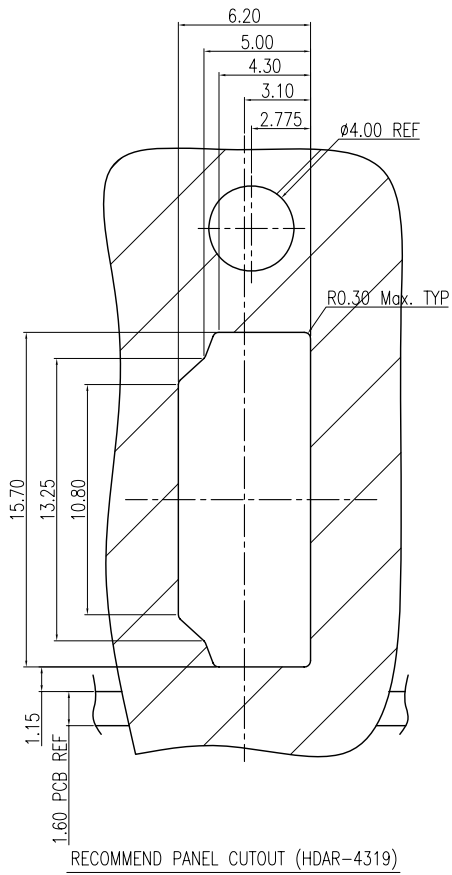
D



E

REV.	ECN NO.	NAME	DATE	TOLERANCE		 <small>7F, No. 191, Sec. 2 Chung-Yang Rd., Tu-Cheng City Taipei Hsien, Taiwan</small>	TITLE:				
				LINEAR	ANGLES		HDMI FLAG STYLE CONNECTOR				
X3	ADD NOTES 9	DANIEL	06/11/12'	X.±0.50	X°.±3°		PART NO. HDAR-4319-AK*2T01				
X2	REVISE DRAWING	DANIEL	03/28/12'	.X±0.38	.X°±3°	APPD:	DWG NO. GT17-250102				
X1	ISSUED	DANIEL	03/20/12'	.XX±0.25	.XX°±3°	CHKD:	REV				
				.XXX±0.15	.XXX°±3°	DRWN: Daniel	FINISH:	UNITS	SCALE	SHEET	REV
							Q'TY:	mm	NONE	10F2	X3

1 2 3 4 5 6 7 8



NOTES:

- 1: MATERIALS  
HOUSING: SEE PART. NUMBER  
COVER: PBT+30%GF, UL 94V-0. BLACK.  
CONTACTS: BRASS.  
SHIELD: STAINLESS STEEL
- 2: FINISH:  
CONTACTS: SELECTIVE GOLD ON CONTACT AREA, 100u" TIN ON  
SOLDER AREA, 30u" NICKEL UNDERPLATED OVERALL.  
SHIELD: 50u" TIN OVER 30u" NICKEL.
- 3: RoHS 6/6 COMPLIANT.
- 4: HDMI 1.3b VERSION COMPLIANT.
- 5: CURRENT RATING/VOLTAGE: 0.5A/40V AC
- 6: DIELECTRIC WITHSTANDING VOLTAGE: AC 300V r.m.s.
- 7: INSULATION RESISTANCE: 100 Mohms.
- 8: SOLDER PROFILE: 260°C FOR 5 SECONDS.
- 9: RECOMMENDED SCREW TORQUE : 1.0 kgf.cm Max.

PART. NUMBER

HDAR-43 19 - A K \* 2 T 01  
① ② ③ ④⑤⑥⑦

- ① CONNECTOR:  
HDAR: HDMI A TYPE
- ② TYPE:  
43: DIP TYPE CONNECTOR WITH SCREW HOLE UPRIGHT
- ③ POSITION:  
19: 19 POSITIONS
- ④ HOUSING MATERIAL:  
A: LCP+30%GF, UL94V-0
- ⑤ INSULATOR COLOR:  
K: BLACK
- ⑥ CONTACT PLATING:  
1: GOLD FLASH  
5: 15u" GOLD  
6: 30u" GOLD
- ⑦ SHIELD PLATING :  
2: MATTE TIN PLATING

PART NO.	HDAR-4319-AK*2T01	SHEET	REVISION
DWG NO.	GT17-250102	20F2	X3