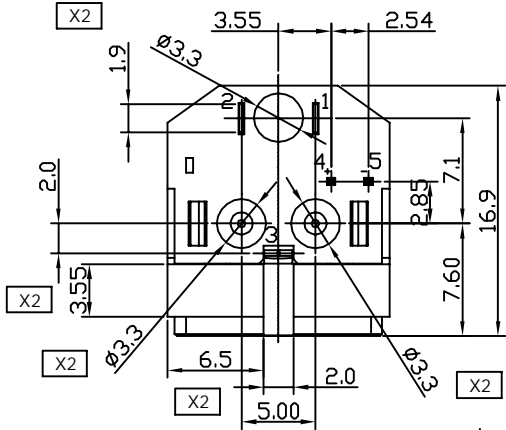


REV	ECN. NO.	DESCRIPTION	ENG	DATE
X1		INITIAL	AXL	7/23/12'
X2		MOVE LOGO & ADD DIM.	Kevin	12/21/12'
X3		ADDED UNDERPLATING SPEC.	Jeff	03/06/13'
X4		MODIFIED DIM. TOLERANCE AND TIN PLATING	Jeff	04/11/13'
X5		ADDED DATE CODE	Jeff	08/28/13'
X6		MODIFIED DATE CODE LOCATION	Jeff	09/02/13'

NOTES:

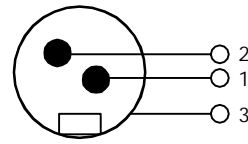
- RATING:
PIN 1&2:DC20V 7.5A Max.
- CONTACT RESISTANCE: 30m ohms Max.
- INSULATION RESISTANCE: DC250V 50M ohms min.
- WITHSTANDING VOLTAGE: AC250V 1Minute.
- INSERTION FORCE:4.5kgf Max.
WITHDRAWAL FORCE:1.0kgf Min.
- RELEASE ANGLE OF SCREW HOLE: 1°
- OPERATING TEMP.: -25°C TO +70°C
- MOUNTING SCREW HOLE IS SIZED FOR
PLASTITE NO.4 SCREW, MOUNTING
TORQUE IS 40-51 N-cm.
- SOLDERING PROFILE: 260±5°C FOR 5±1 SECOND.
- RoHS COMPLIANT.



LED Polarity



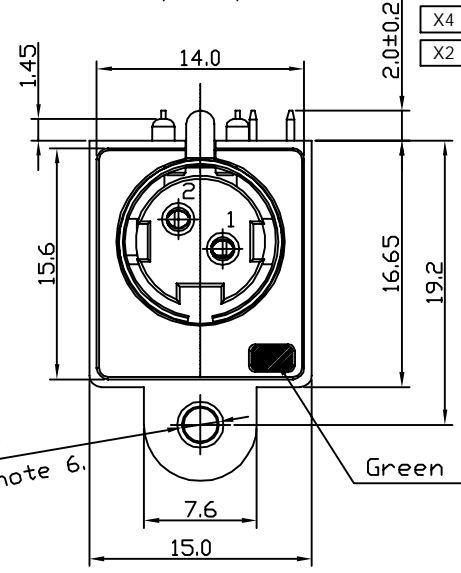
Single color LED



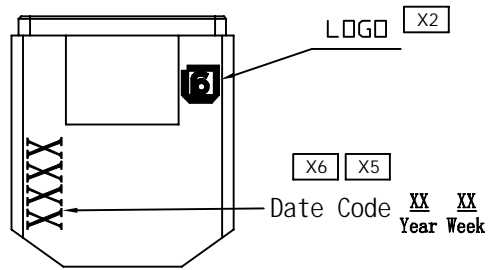
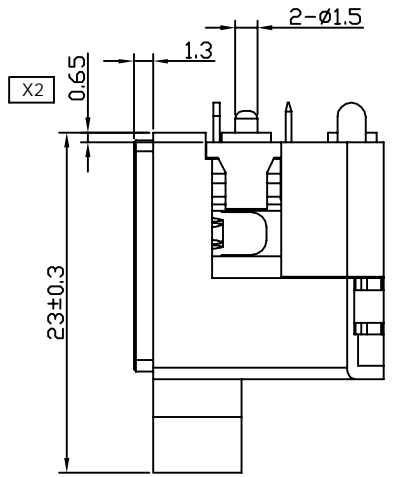
SCHEMATIC

LED Specification	
FORWARD V(MAX)	*(TYP)
2.5V	1.9V

*With a forward current of 20mA(TYP)



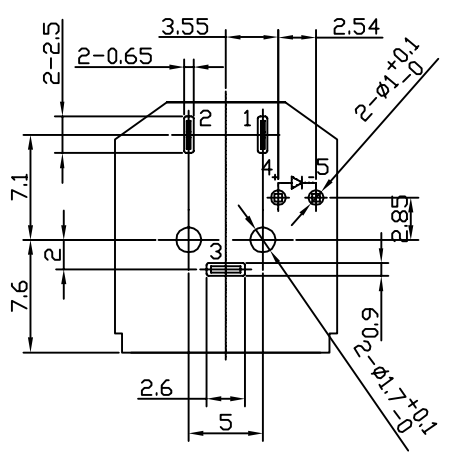
Ø2.5+0.2
Refer note 6.



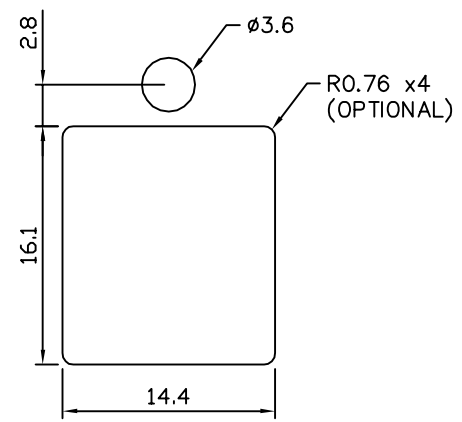
GENERAL TOLERANCE X.± 0.30 .X± 0.25 .XX± 0.20 .XXX±	ANGLE TOLERANCE X°± .X°± .XX°± .XXX°±	DRAWN AXL	DATE 7/23/12'		TITLE: 2 PINS DC POWER DIN CONNECTOR W/ LED
FINISH SEE NOTES		DESIGN	DATE		PART NUMBER: GT17-300216
MATERIAL SEE BOM		CHECKED	DATE	DRAWING NO. GT17-300216	
SCALE N/A	UNIT mm	APPROVED	DATE	SIZE A4	REV X6
SHEET 1 OF 2					

A
B
C
D
E

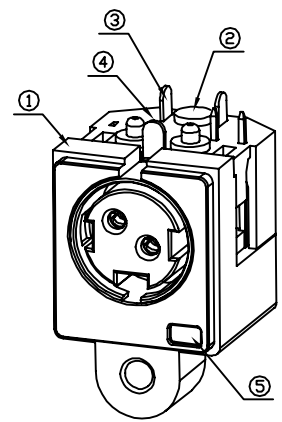
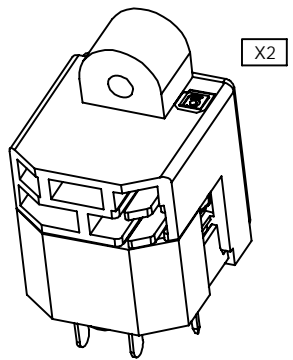
REV	ECN. NO.	DESCRIPTION	ENG	DATE
		SEE SHEET 1		



Recommended P.C.B Layout
Bottom View
P.C.B Tolerances: ±0.05mm



RECOMMENDED PANEL CUTOUT
TOLERANCE: ±0.127mm
(PANEL THICKNESS: 0.8mm)



3D View

5	LED	1		GREEN LIGHT COLOR	Ag 10u" plating	
4	GROUND	1		BRASS, T= 0.40±0.08	Tin 120u" plating, Ni 50u" min. underplating	
3	PIN	2		PHOS. BRONZE, T=0.30±0.05	Tin 120u" plating, Ni 50u" min. underplating	
2	COVER	1		PA9T, UL94V-0, BLACK	COLOR BLACK	
1	BODY	1		PA9T, UL94V-0, BLACK	COLOR BLACK	
ITEM	NAME	Q'TY	DESCRIPTION	MATERIAL	FINISH / COLOR	NOTE

GENERAL TOLERANCE X. ± 0.30 .X ± 0.25 .XX ± 0.20 .XXX ±	ANGLE TOLERANCE X° ± .X° ± .XX° ± .XXX° ±	DRAWN AXL	DATE 7/23/12'	
MATERIAL SEE BOM		CHECKED	DATE	
FINISH SEE NOTES		APPROVED		PART NUMBER GT17-300216
SCALE N/A	UNIT mm	DATE		DRAWING NO. GT17-300216
SHEET 2 OF 2				SIZE A4 REV X6

A
B
C
D
E

7.1
2-2.5
3.55
2.54
2-0.65
2
1
2-Ø1+0.1-0
7.6
2
2.6
5
2.8
5.0
2-Ø1.7+0.1-0

2.8
Ø3.6
R0.76 x4
(OPTIONAL)
16.1
14.4
RECOMMENDED PANEL CUTOUT
TOLERANCE: ±0.127mm
(PANEL THICKNESS: 0.8mm)

X2

X4

X3

6

7

8