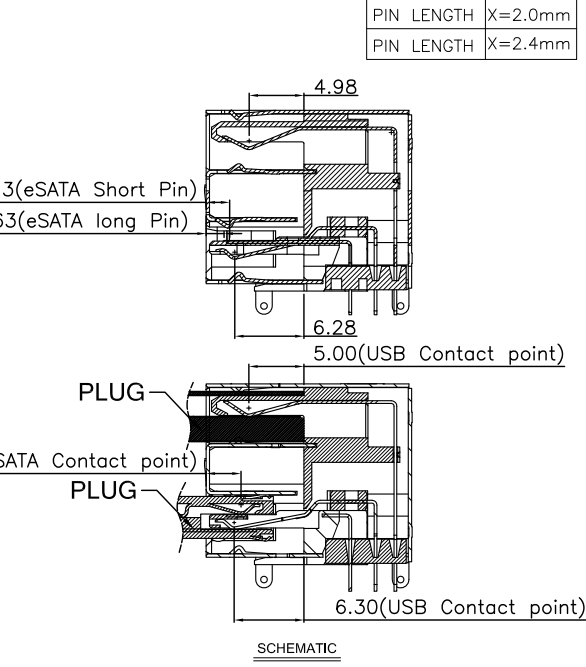
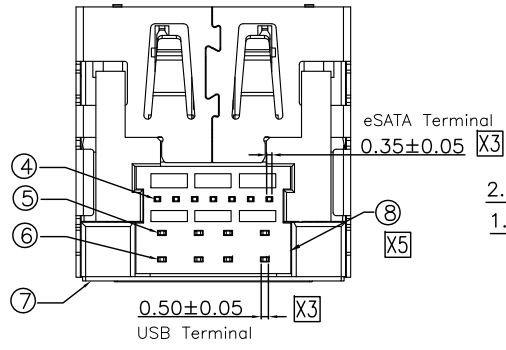


Contact Number	Signal Name
1	GND
2	A+
3	A-
4	GND
5	B-
6	B+
7	GND
8	VBUS
9	D-
10	D+
11	GND
12	VBUS
13	D-
14	D+
15	GND



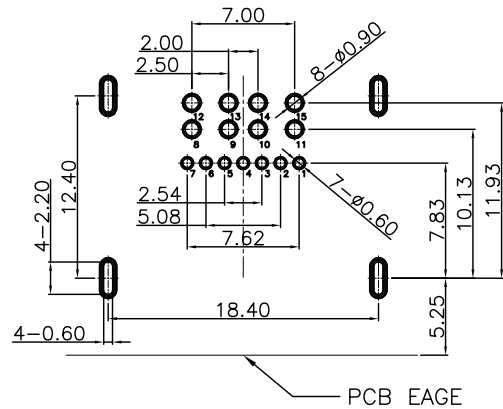
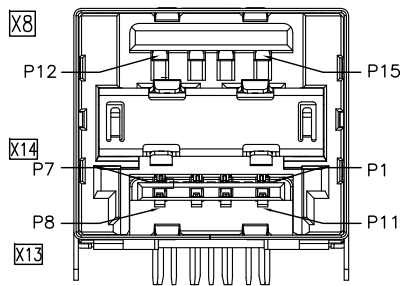
NOTES: X11
 ELECTRICAL SPECIFICATION
 1. CURRENT RATING: 1.5A
 2. VOLTAGE RATING: 30V Max.
 3. INSULATION RESISTANCE: 1000MΩ Min
 4. DIELECTRIC WITHSTANDING VOLTAGE: 500VAC for 1 MINUTE
 X12 5. 7kg PULL FORCE WHEN USED WITH GENESIS LATCHING PLUG GT23-500249.
 X18 6. OPERATING TEMPERATURE: -30°C to 90°C

REV.	ECN. NO.	DESCRIPTION	ENG	DATE
X1		ISSUED	Terry	12/23/13'
X2		ADD P/N OPTION	Terry	12/26/13'
X3		ADD PIN WIDTH AND THICKNESS	Terry	12/31/13'
X4		ADD ESATAP COLOR	Terry	01/08/14'
X5		REVISED DRAWING	Terry	02/06/14'
X6		REVISED DRAWING	Terry	02/07/14'
X7		ADD CONTACT PLATING OPTION	Daniel	02/19/14'
X8		ADD PIN NUMBERS	Terry	02/24/14'
X9		ADD PIN FUNCTION	Terry	02/26/14'
X10		REVISED USB CONTACT PIONT POSITION	Mike	03/31/14'
X11		ADD ELECTRICAL SPECIFICATION	Terry	05/04/14'
X12		ADD NOTES 5	AXL	05/09/14'
X13		MODIFY eSATAP SHAPE	Mike	05/26/14'
X14		MODIFY eSATAP SHAPE	Mike	07/30/14'
X15		MODIFY INSULATOR COLOR OPTION	Daniel	08/22/14'
X16		ADD SCHEMATIC	Terry	09/17/14'
X17		INSULATOR COLOR CHANGE AND PLASTIC UPDATE	Daniel	11/22/14'
X18		ADD OPERATING TEMPERATURE	Daniel	02/26/15'

ORDER INFORMATION:
 ESUR - ** 15 - B * * 3 T 01
 ① ② ③ ④ ⑤ ⑥ ⑦ ⑧
 1. CONNECTOR:
 ESUR: USB+ESATAP CONNECTOR
 2. TYPE:
 2L: USB+ESATAP DIP TYPE, PIN LENGTH 2.0mm.
 2G: USB+ESATAP DIP TYPE, PIN LENGTH 2.4mm.
 2M: ESATAP DIP TYPE, PIN LENGTH 2.0mm.
 2H: ESATAP DIP TYPE, PIN LENGTH 2.4mm.
 2N: USB+ESATA DIP TYPE, PIN LENGTH 2.0mm.
 2J: USB+ESATA DIP TYPE, PIN LENGTH 2.4mm.
 2P: DUAL USB DIP TYPE, PIN LENGTH 2.0mm.
 2K: DUAL USB DIP TYPE, PIN LENGTH 2.4mm.
 3. POSITIONS:
 15: 15 POSITIONS
 4. INSULATOR MATERIAL:
 B: LCP
 X6 5. INSULATOR COLOR:
 K: BLACK, (FOR ESUR-2N15&ESUR-2J15&ESUR-2P15&ESUR-2K15)
 X15 X17 D: USB PORT:BLACK; eSATA(p) TONGUE: BROWN 731C
 (FOR ESUR-2L15&ESUR-2G15&ESUR-2M15&ESUR-2H15)
 6. CONTACT PLATING:
 1: GOLD 1u".
 X7 H: GOLD 2u".
 8: GOLD 6u".
 7. SHIELD PLATING:
 3: NICKEL PLATED
 8. PACKING:
 T: TRAY

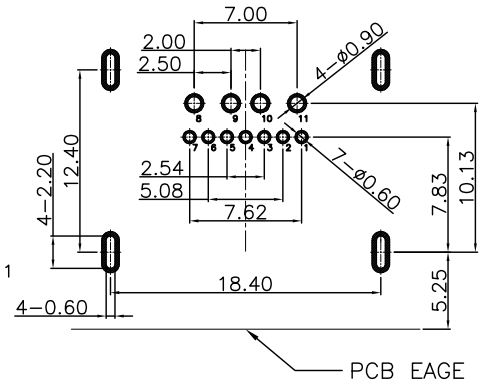
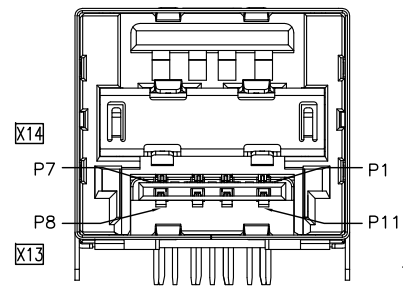
9	ESATA(P) HOUSING	1	LCP	SEE ORDER INFORMATION	X6
8	SPACER	1	LCP	UL94V-0, Black	
7	BACK SHELL	1	STEEL T=0.30mm	NICKEL PLATING	X3
6	USB LONG CONTACT	4	COPPER ALLOY T=0.25mm	GOLD PLATED ON CONTACT AREA;	X3
5	USB SHORT CONTACT	4	COPPER ALLOY T=0.25mm	TIN PLATING ON SOLDER TAIL AREA;	X3
4	ESATA CONTACT	7	COPPER ALLOY T=0.25mm	UNDER PLATING NICKEL ALL OVER	X3
3	MIDDLE SHELL	1	SUS T=0.30mm	NONE PLATING	X3
2	HOUSING	1	LCP	UL94V-0, BLACK	
1	OUT SHELL	1	SUS T=0.30mm	NICKEL PLATING	X3
ITEM	NAME	Q'TY	MATERIAL	NOTE	

GENERAL TOLERANCE	ANGLE TOLERANCE	DRAWN	DATE	GENESIS TECHNOLOGY, INC.
X± .X ± 0.38 .XX ± 0.25 .XXX ± 0.15	X°± .X°± .XX°± .XXX°±	Terry	12/23/13'	
MATL SEE BOM		CHECKED	DATE	PART NUMBER: ESUR-***15-B**3T01
FINISH SEE BOM		APPROVED	DATE	DRAWING NO. GT20-250156
SCALE N/A	UNIT mm			SIZE A4 REV X18
SHEET 1 OF 2				



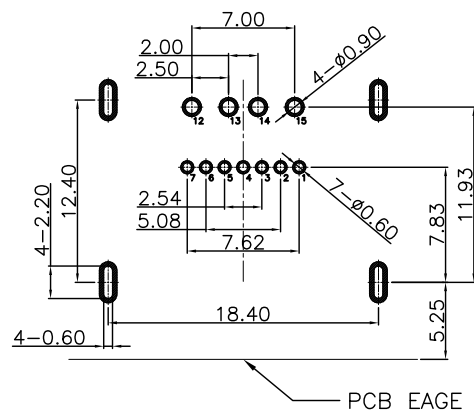
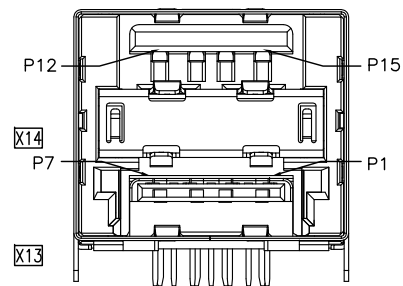
Recommended PCB Layout
Tolerance=±0.05

ESUR-2L15&ESUR-2G15: USB+ESATAP



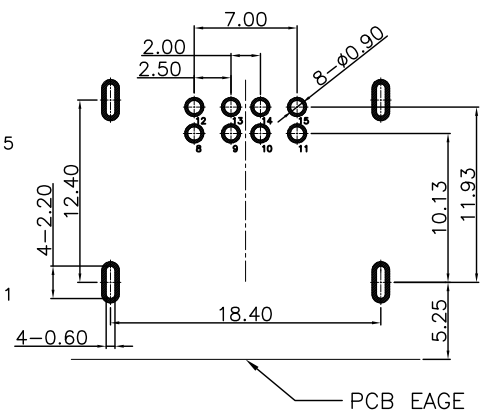
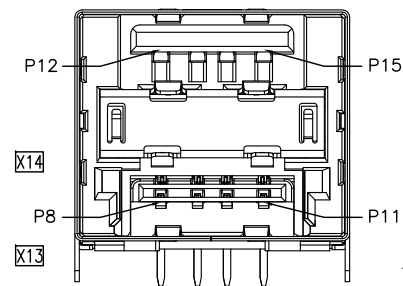
Recommended PCB Layout
Tolerance=±0.05

ESUR-2M15&ESUR-2H15: ESATAP



Recommended PCB Layout
Tolerance=±0.05

ESUR-2N15&ESUR-2J15: USB+ESATA



Recommended PCB Layout
Tolerance=±0.05

ESUR-2P15&ESUR-2K15: DUAL USB

PART NO.	ESUR-**15-B**3T01	SHEET	REVISION
DWG NO.	GT20-250156	2 OF 2	SEE SHEET 1