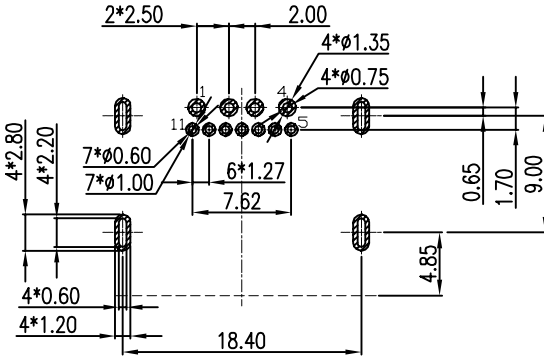
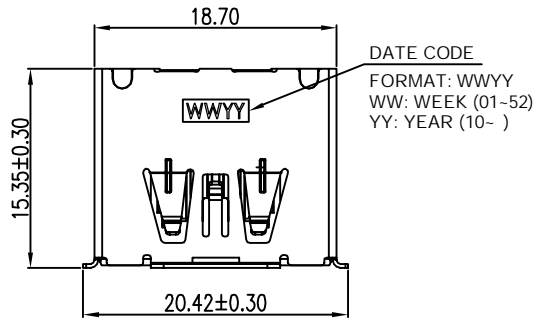
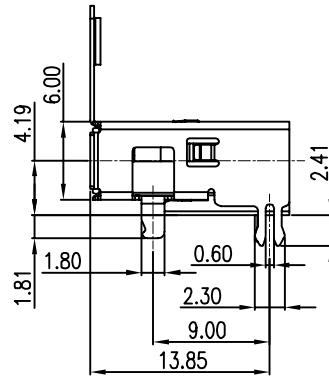
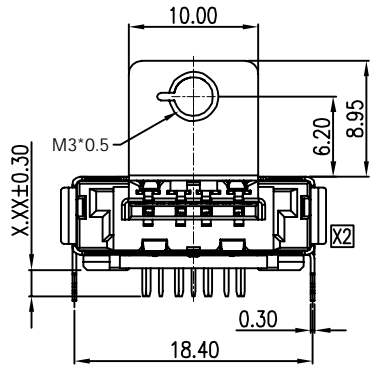


| REV. | ECN. NO. | DESCRIPTION | ENG | DATE |
|------|----------|--------------------------|-------|-----------|
| X1 | | ISSUED | MIKE | 06/12/14' |
| X2 | | MODIFY ESATAP EXTERIOR | MIKE | 06/17/14' |
| X3 | | ADD W/O SCREW TAB OPTION | MIKE | 10/09/14' |
| X4 | | ADD PIN LENGTH OPTION | TERRY | 03/16/17' |
| X5 | | ADD PIN LENGTH OPTION | TERRY | 03/28/17' |



RECOMMEND P.C.OARD LAYOUT T=1.20mm
 PCB TOLERANCE:±0.05



PART. NUMBER

ESAR-1X 11 - B K * 3 I 01

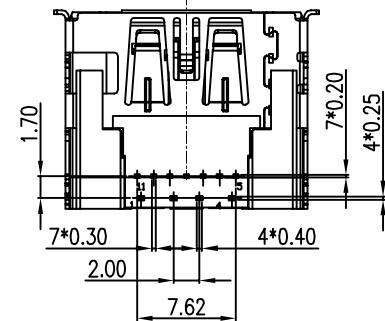
① ② ③④⑤⑥⑦

- ① CONNECTOR:
 ESAR-1K: ESATAP DIP TYPE CONNECTOR WITH SCREW TAB, PIN LENGTH 2.05mm
 ESAR-1L: ESATAP DIP TYPE CONNECTOR W/O SCREW TAB, PIN LENGTH 1.50mm
 ESAR-1M: ESATAP DIP TYPE CONNECTOR WITH SCREW TAB, PIN LENGTH 1.50mm
 ESAR-1N: ESATAP DIP TYPE CONNECTOR W/O SCREW TAB, PIN LENGTH 2.05mm
- ② POSITION:
 11: 11 POSITIONS
- ③ INSULATOR MATERIAL:
 B: LCP
- ④ INSULATOR COLOR:
 K: BLACK
- ⑤ CONTACT PLATING:
 1: GOLD FLASH
 8: GOLD 6u"
- ⑥ SHIELD PLATING
 3: NICKEL PLATING
- ⑦ PACKING
 T: TRAY

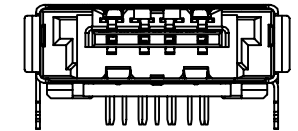
PIN DEFINITON

| USB | | ESATA | |
|------|------|-------|------|
| NAME | TYPE | NAME | TYPE |
| P1 | VBUS | P5 | GND |
| P2 | D- | P6 | A+ |
| P3 | D+ | P7 | A- |
| P4 | GND | P8 | GND |
| | | P9 | B- |
| | | P10 | B+ |
| | | P11 | GND |

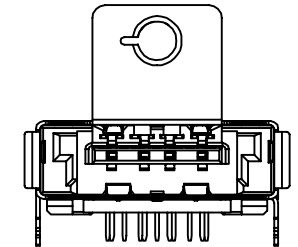
| PART NUMBER | SCREW TAB | PIN LENGTH |
|-------------|----------------|------------|
| ESAR-1K11 | WITH SCREW TAB | X=2.05mm |
| ESAR-1L11 | W/O SCREW TAB | X=1.50mm |
| ESAR-1M11 | WITH SCREW TAB | X=1.50mm |
| ESAR-1N11 | W/O SCREW TAB | X=2.05mm |



- NOTES:
 1. MATERIALS
 USB Terminal: Phosphor Bronze
 Gold on contact area,
 80u" matte Tin on solder tail,
 both over 30u"Nickel under-plating.
 E-SATA Terminal: Brass
 Gold on contact area,
 80u" matte Tin on solder tail,
 both over 30u"Nickel under-plating.
 Housing: LCP+30% G.F.,UL94V-0
 Cover: LCP+30% G.F.,UL94V-0.
 Shell: Stainless steel,
 50u" Nickel plating overall.
2. RoHS compliant



ESAR-1L11 OR ESAR-1N11
 W/O SCREW TAB



ESAR-1K11 OR ESAR-1M11
 WITH SCREW TAB

PRELIMINARY
 NOT RELEASED



| | | | | |
|--|--------------------------------------|----------------------------|-----------------------------------|--|
| GENERAL TOLERANCE X.±0.50 .X±0.38 .XX±0.25 .XXX±0.15 | ANGLE TOLERANCE X°± 2° .X°± 1° | DRAWN MIKE 06/12/14' | DATE 06/12/14' | TITLE: eSATAp DIP TYPE CONNECTOR |
| MATL SEE BOM | CHECKED TERRY 06/12/14' | DATE 06/12/14' | PART NUMBER. ESAR-1X11-BKX3T01 | |
| FINISH SEE NOTES | APPROVED DANIEL | DATE 06/12/14' | DRAWING NO. GT23-250180 | SIZE A4 |
| SCALE N/A | UNIT mm | SHEET 1 OF 1 | REV. X5 | |