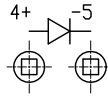
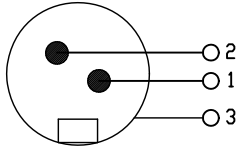


PROPRIETARY INFORMATION  
COMPANY CONFIDENTIAL

LED Polarity



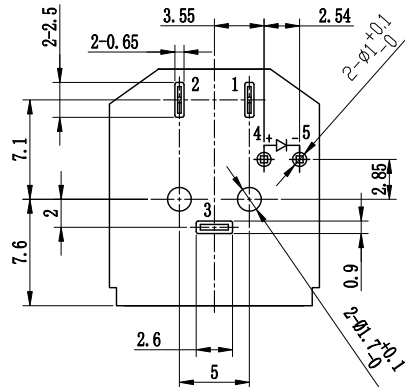
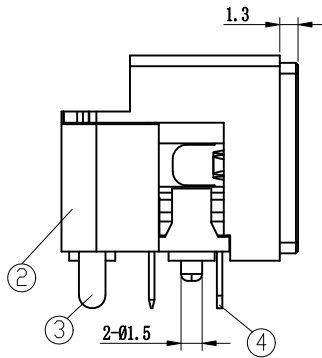
Single color LED



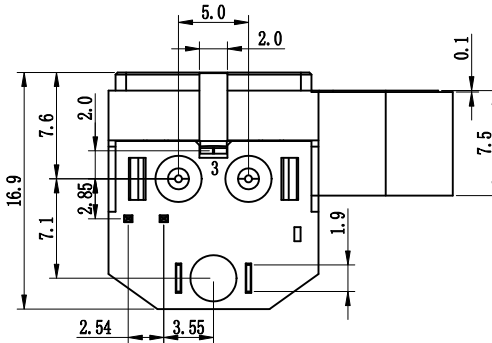
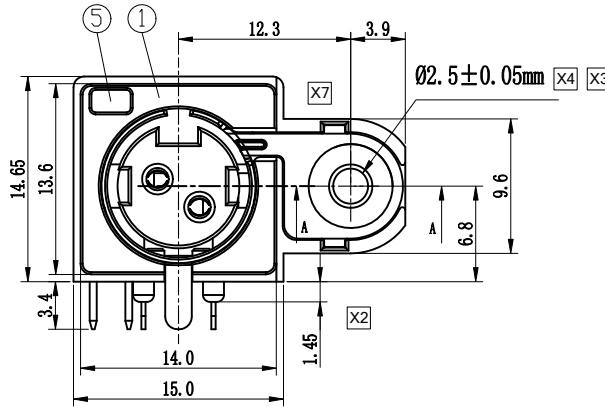
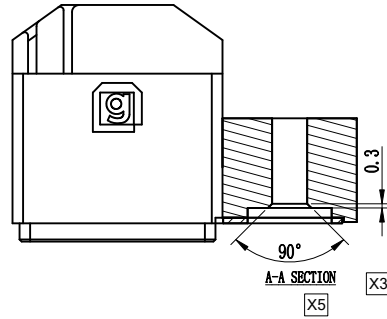
SCHEMATIC

LED Specification		
FORWARD V(MAX)	*(TYP)	WAVELENGTH
2.5V	1.9V	571±6.5nm

\*With a forward current of 20mA(TYP)



Recommended P.C.B Layout  
Bottom View  
P.C.B Tolerances: ±0.05mm



REV.	ECN. NO.	DESCRIPTION	ENG	DATE
X1		INITIAL	Sun	8/19/2014
X2		update drawing	Sun	9/15/2014
X3		CHANGE SCREW BOSS AND NOTES AND ADD A-A SECTION	AXL	9/16/2014
X4		CHANGE SCREW BOSS HOLE WAS 2.59mm±0.05mm	AXL	9/17/2014
X5		ADD A FLAT ON THE END OF SCREW BOSS	AXL	10/02/2014
X6		CHANGE NOTES 6. WAS +70° C	AXL	10/03/2014
X7		SHELL AND HOUSING ADD INTERFERE	Sun	10/10/2014

NOTES:

- 1.RATING: PIN 1&2:DC20V 7.5A Max.
- 2.CONTACT RESISTANCE:30m ohms Max.
- 3.INSULATION RESISTANCE:DC250V 50M ohms Min.
- 4.VOLTAGE WITHSTANDING:AC250V 1Minute.
- 5.INSERTION FORCE:4.5kgf Max.  
WITHDRAWAL FORCE:1.0kgf Min.
- 6.OPERATING TEMP: -25°C TO +85°C
- 7.MOUNTING SCREW HOLE IS SIZED FOR 4-24 THREAD FORMING SCREW, MOUNTING TORQUE IS 40-51 N-cm.

8.SOLDER TEMPERATURE:230±5°,DURATION:5±1 SEC  
DCJR-2G 02 -A K A 0 T  
① ② ③④⑤⑥⑦

1. CONNECTOR:  
DCJR-2G: 2PIN POWER DIN WITH RIGHT SCREW BOSS AND LED
2. POSITIONS:  
02:Pins 02
3. INSULATOR MATERIAL:  
A: PBT
4. INSULATOR COLOR:  
K: BLACK
5. CONTACT PLATING:  
A: Tin 100u" min
6. SHIELD PLATING:  
0: NONE SHIELD
7. PACKING  
T: TRAY

GENERAL TOLERANCE X ± 0.50 .X ± 0.40 .XX ± 0.30 .XXX ± 0.20	ANGLE TOLERANCE X° ± 5.0° .X° ± 3.0° .XX° ± 2.0° .XXX° ± 1.0°	DRAWN Sun	DATE 10/10/14'	
MATL SEE BOM	FINISH SEE NOTES	CHECKED	DATE	
SCALE N/A	UNIT mm	APPROVED River	DATE 10/10/14'	PART NUMBER: DCJR-2G02 -A K A 0 T
SHEET 1 OF 1				DRAWING NO. GT23-210198
				SIZE A4 REV. X7

ITEM	NAME	Q'TY	DESCRIPTION	NOTE
5	LED	1	GREEN LIGHT COLOR, Ag 10u" Plating	
4	GROUND	1	BRASS, Tin 100u" Plating, T=0.40	
3	PIN	2	PHOSPHOR BRONZE, Tin 100u" Plating, T=0.30	
2	COVER	1	PBT+15%G. F, COLOR BLACK	UL94V-0
1	BODY	1	PBT+15%G. F, COLOR BLACK	UL94V-0