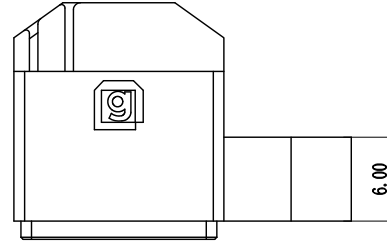
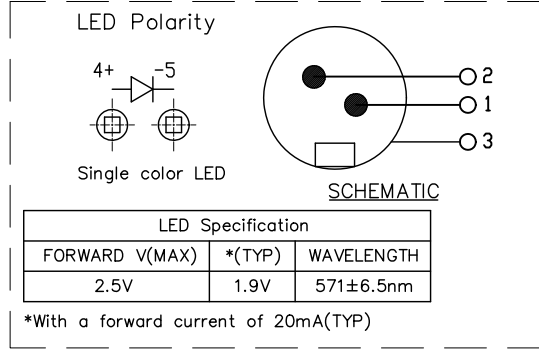


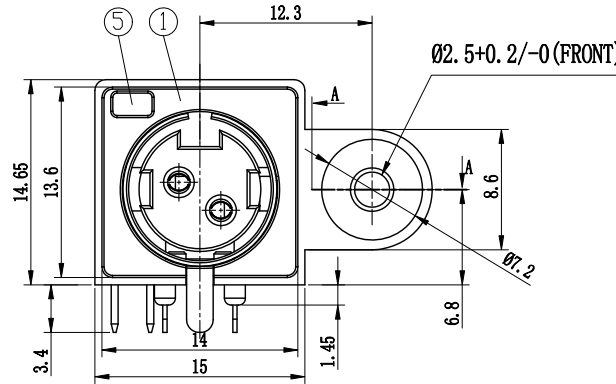
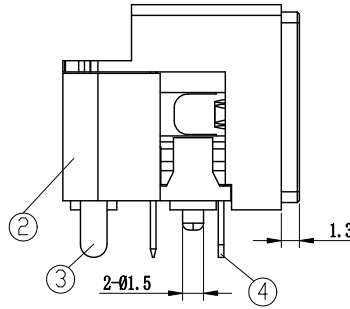
PROPRIETARY INFORMATION
COMPANY CONFIDENTIAL

REV.	ECN. NO.	DESCRIPTION	ENG	DATE
X1		INITIAL	Sun	8/21/2014



NOTES:

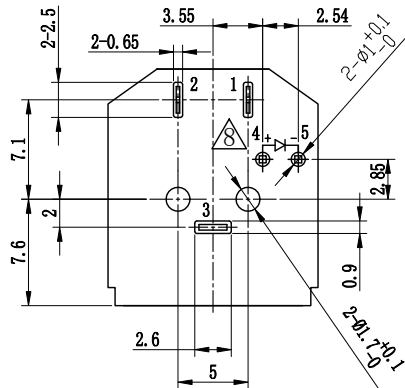
- 1.RATING: PIN 1&2:DC20V 7.5A Max.
- 2.CONTACT RESISTANCE:30m ohms Max.
- 3.INSULATION RESISTANCE:DC250V 50M ohms Min.
- 4.VOLTAGE WITHSTANDING:AC250V 1Minute.
- 5.INSERTION FORCE:4.5kgf Max.
WITHDRAWAL FORCE:1.0kgf Min.
- 6.OPERATING TEMP: -25°C TO +70°C
- 7.MOUNTING SCREW HOLE IS SIZED FOR PLASTITE NO.4 SCREW, MOUNTING TORQUE IS 40-51 N-cm.
- 8.SOLDER TEMPERATURE:230±5°,DURATION:5±1 SEC



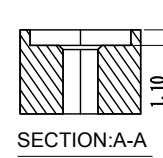
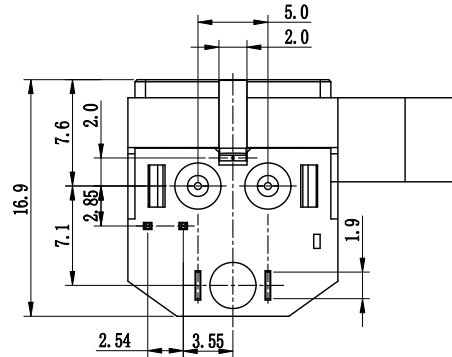
DCJR-2F 02 -A K A 0 T

① ② ③ ④ ⑤ ⑥ ⑦

1. CONNECTOR:
DCJR-2F: 2PIN POWER DIN WITH RIGHT SCREW BOSS AND LED
2. POSITIONS:
02:Pins 02
3. INSULATOR MATERIAL:
A: PBT
4. INSULATOR COLOR:
K: BLACK
5. CONTACT PLATING:
A: Tin 100u" min
6. SHIELD PLATING:
0: NONE SHIELD
7. PACKING
T: TRAY



Recommended P.C.B Layout
Bottom View
P.C.B Tolerances: ±0.05mm



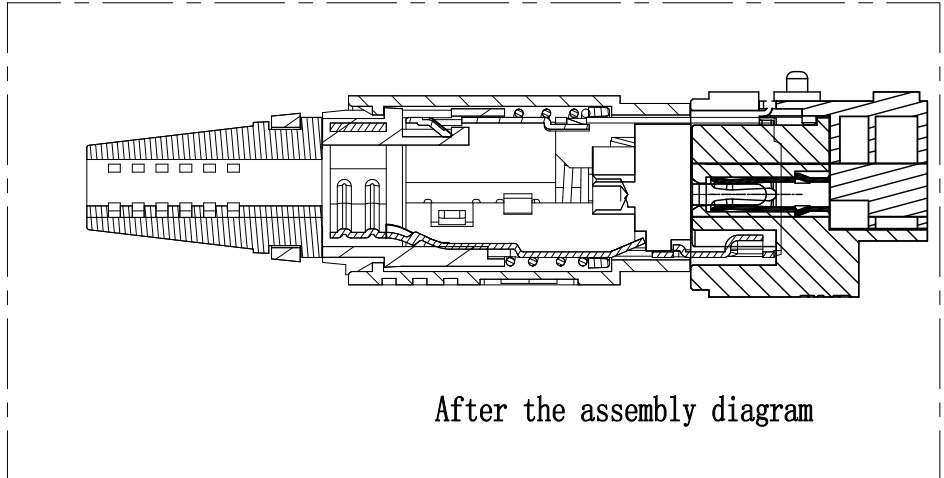
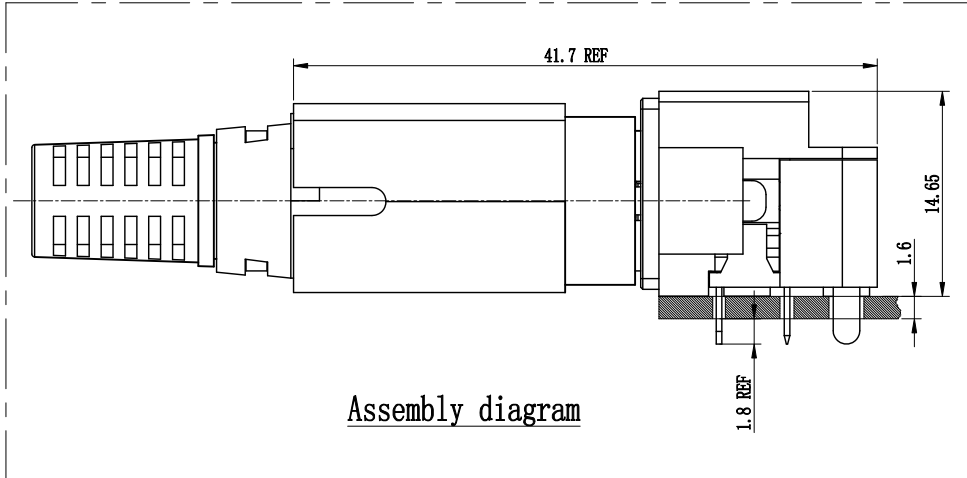
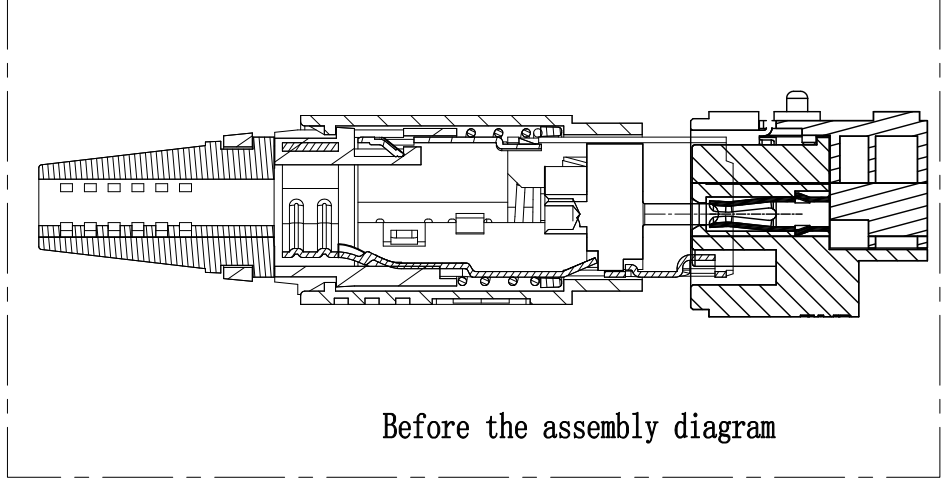
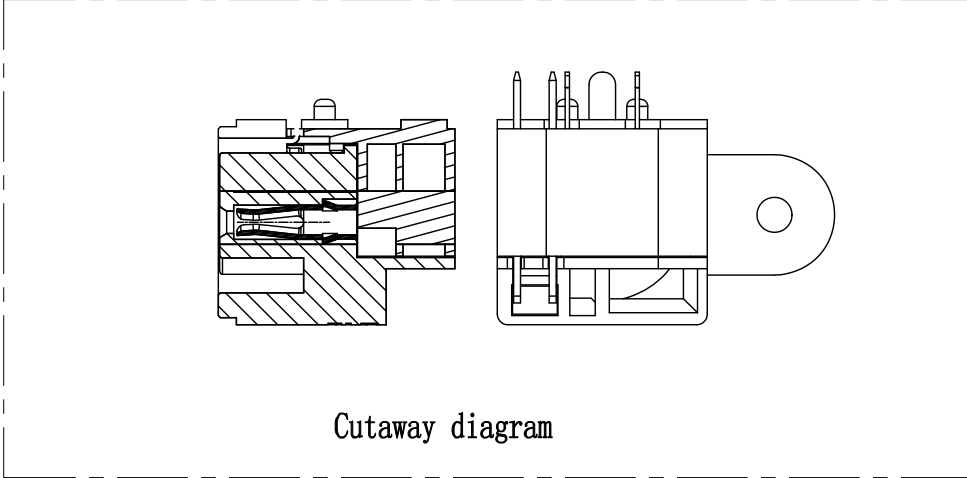
1:1

GENERAL TOLERANCE X ± 0.50 .X ± 0.40 .XX ± 0.30 .XXX ± 0.20	ANGLE TOLERANCE X° ± 5.0° .X° ± 3.0° .XX° ± 2.0° .XXX° ± 1.0°	DRAWN <i>Sun</i>	DATE 08/21/14'	 TITLE: 2PIN POWER DIN WITH RIGHT SCREW BOSS AND LED PART NUMBER: DCJR-2F02 -A K A 0 T DRAWING NO. GT23-210201 SIZE A4 REV. X1
MATL SEE BOM	FINISH SEE NOTES	CHECKED	DATE	
SCALE N/A	UNIT mm	APPROVED <i>River</i>	DATE 08/21/14'	
SHEET 1 OF 2				

ITEM	NAME	Q'TY	DESCRIPTION	NOTE
5	LED	1	GREEN LIGHT COLOR, Ag 10u" Plating	
4	GROUND	1	BRASS, Tin 100u" Plating, T=0.40	
3	PIN	2	PHOSPHOR BRONZE, Tin 100u" Plating, T=0.30	
2	COVER	1	PBT+15%G. F, COLOR BLACK	UL94V-0
1	BODY	1	PBT+15%G. F, COLOR BLACK	UL94V-0

PROPRIETARY INFORMATION
COMPANY CONFIDENTIAL

REV.	ECN. NO.	DESCRIPTION	ENG	DATE
X1		INITIAL	Sun	8/21/2014



ITEM	NAME	Q'TY	DESCRIPTION	NOTE
5	LED	1	GREEN LIGHT COLOR, Ag 10u" Plating	
4	GROUND	1	BRASS, Tin 100u" Plating, T=0.40	
3	PIN	2	PHOSPHOR BRONZE, Tin 100u" Plating, T=0.30	
2	COVER	1	PBT+15%G. F, COLOR BLACK	UL94V-0
1	BODY	1	PBT+15%G. F, COLOR BLACK	UL94V-0

GENERAL TOLERANCE	ANGLE TOLERANCE	DRAWN	DATE
X ± 0.50	X° ± 5.0°	Sun	08/21/14'
.X ± 0.40	.X° ± 3.0°	CHECKED	DATE
.XX ± 0.30	.XX° ± 2.0°		
.XXX ± 0.20	.XXX° ± 1.0°	APPROVED	DATE
		River	08/21/14'
MATL	SEE BOM		
FINISH	SEE NOTES		
SCALE	N/A		
SHEET	2 OF 2		

TITLE:	2PIN POWER DIN WITH RIGHT SCREW BOSS AND LED
PART NUMBER:	DCJR-2F02 -A K A 0 T
DRAWING NO.	GT23-210201

SIZE	A4
REV.	X1