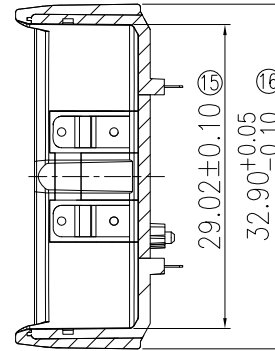
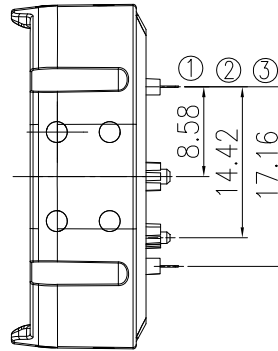
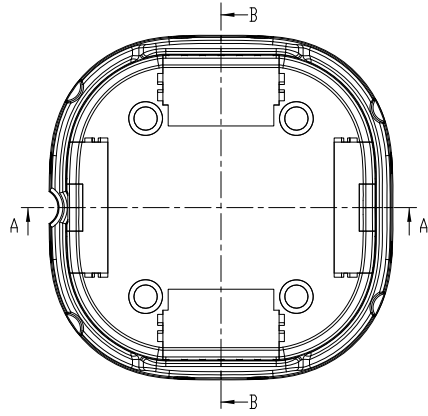


PROPRIETARY INFORMATION
COMPANY CONFIDENTIAL

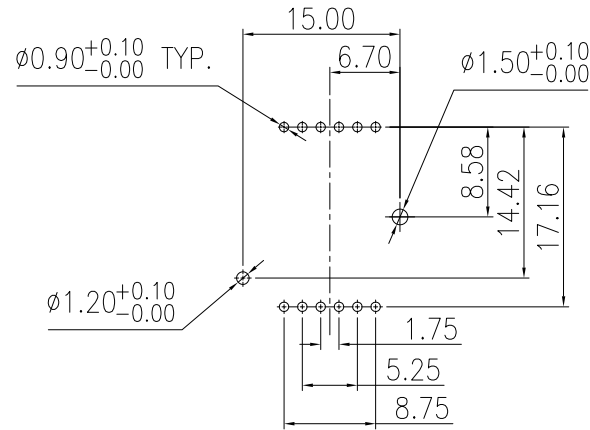
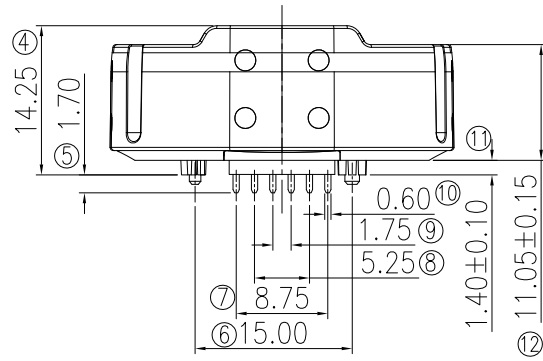
REV.	ECN. NO.	DESCRIPTION	ENG	DATE
X1		INITIAL	Vegas	08/31/18



PART DESCRIPTION:

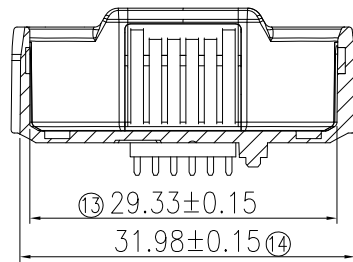
880-10001-0X

01: TERMINAL GOLD 30u" PLATED

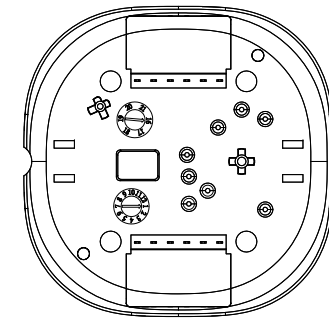
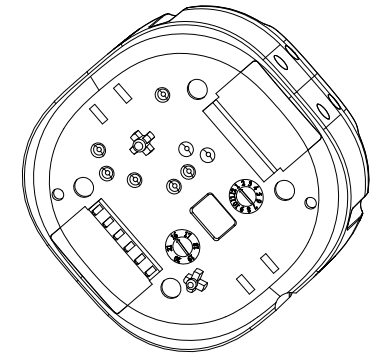


PCB LAYOUT : TOLERANCE=±0.05, PCB THK. 1.20±0.10

(TOP VIEW)



SECTION A-A



CUSTOMER PN: 410-00048

ITEM	NAME	Q'TY	DESCRIPTION	NOTE
5	LATCH	4	SUS	NONE PLATING
4	TERMINAL	12	BRASS	GOLD PLATED ON CONTACT AREA; TIN PLATING ON SOLDER TAIL AREA; UNDER PLATING NICKEL ALL OVER
3	LATCH HOUSING	1	PA9T+30%GF	UL94-V0, BLACK
2	TERMINAL HOUSING	1	PA9T+30%GF	UL94-V0, BLACK
1	HOUSING	1	PA9T+30%GF	UL94-V0, BLACK

GENERAL TOLERANCE	X.± 0.50 .X± 0.38 .XX± 0.25 .XXX± 0.15	ANGLE TOLERANCE	X°± 5.0° .X°± 3.0° .XX°± 2.0° .XXX°± 1.0°
MATL	SEE BOM	FINISH	SEE NOTES
SCALE	N/A	UNIT	mm
SHEET	1 OF 1		

DRAWN	DATE
Yin	08/31/18
CHECKED	DATE
Yuan	08/31/18
APPROVED	DATE
Vegas	08/31/18

GENESIS TECHNOLOGY, INC.	
TITLE: 410-00048 MEDICAL PLUG CONNECTOR	
PART NUMBER: 880-10001-01	
DRAWING NO.	SIZE
880-10001	A4
REV. X1	