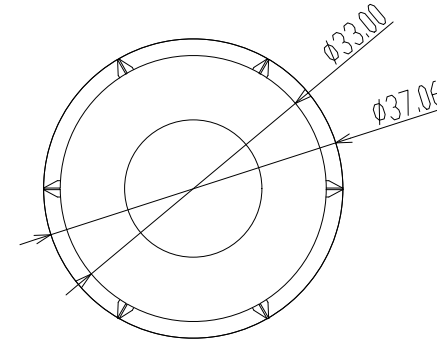
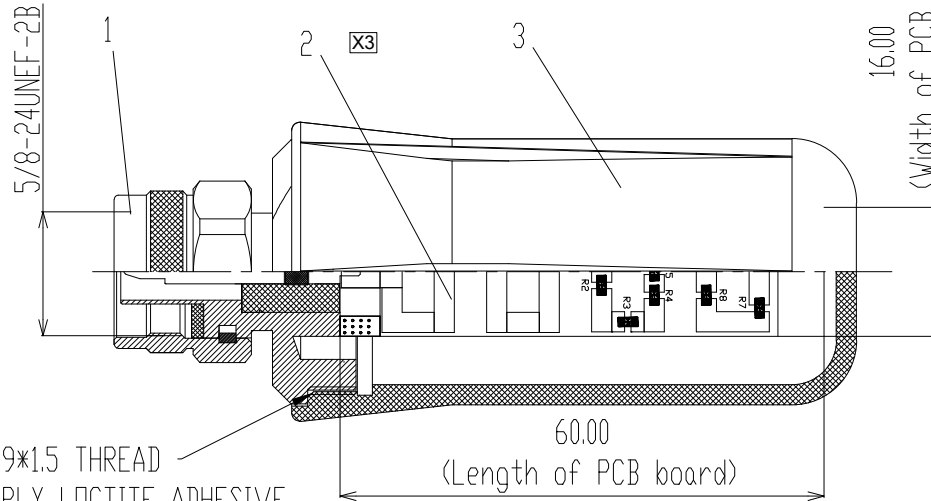
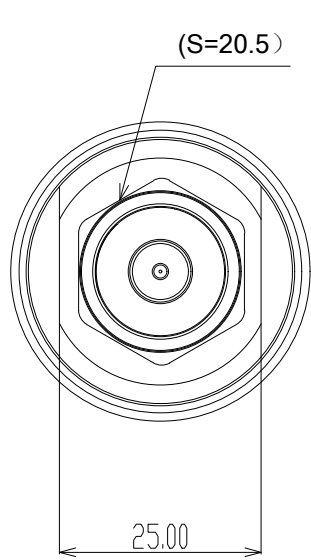


REV.	ECN. NO.	DESCRIPTION	ENG	DATE
X1		INITIAL	KYLE	12/18/2019
X2		UPDATE BOM	KYLE	1/9/2020
X3		CORRECT ARTWORK AND EDIT NOTES	AXL	3/29/2020



M29*1.5 THREAD
 APPLY LOCTITE ADHESIVE
 OVER ENTIRE THREADS,
 X3 NOT VISIBLE ON OUTSIDE

NOTES:

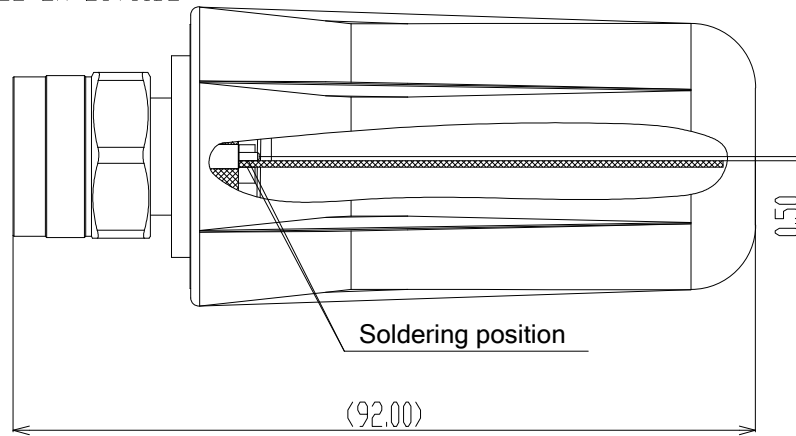
ELECTRICAL:

a). VSWR (MAX, ACROSS LTE BAND 13): 1.5:1

X3 b). Peak Gain: < 6.2 dBi in Band 13 (Ground Plane smaller than 6"x6").
 CONDITION: AT THE REFERENCE PLANE OF ANY OF THE FOUR RF CABLE
 ASSEMBLIES INCLUDED IN THE KIT, WHEN THE OTHER END OF THE
 CABLE IS TERMINATED WITH THE BIRD-13 ANTENNA.

MECHANICAL: ALL RF CONNECTOR MINIMUM MATING CYCLES: 500

X3 INGRESS REQUIREMENT (MATED): IP67 minimum



ITEM	P/N	NAME	Q'TY	DESCRIPTION	NOTE
4	ADHESIVE	ADHESIVE	A/R	LOCTITE E-20HP OR EQUIVALENT	
3	295-10037-01	COVER	1pcs	ABS/PC blend with UV inhibitor , BLACK	
2	630-10028-01	PCBA	1pcs		
1	181-10009-01	N connector	1pcs		

GENERAL TOLERANCE		ANGLE TOLERANCE		DRAWN		DATE		genesis connected solutions	
X.± 0.30	.X° ± 2°	KYLE	12/18/2019	TITLE:		Band 13, BIRD ANTENNA			
.X± 0.25	.X° ± 2°	DESIGN		DATE		PART NUMBER:		650-10025-01	
.XX± 0.25	.XX° ± 2°	CHECKED		DATE		DRAWING NO.:		650-10025	
.XXX± 0.20	.XXX° ± 2°	APPROVED		DATE		SIZE		A4	
SCALE N/A		UNIT mm		SHEET 1 OF 1		REV. X3			