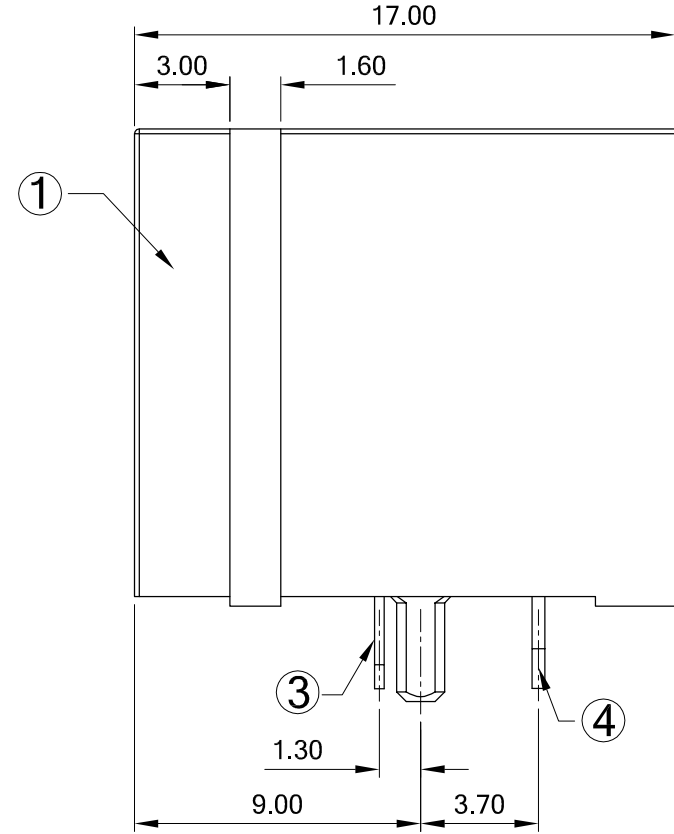
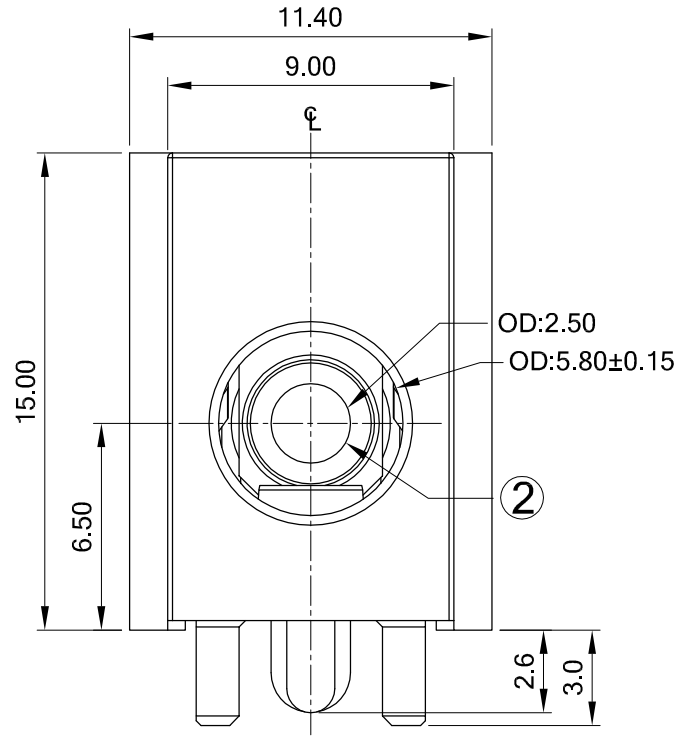


PROPRIETARY INFORMATION
COMPANY CONFIDENTIAL

REV. X1	ECN. NO.	DESCRIPTION ISSUED	ENG DANIEL	DATE 03/06/17
------------	----------	-----------------------	---------------	------------------



4	REAR PIN	1	BRASS T=0.4mm	TIN 80u" MIN. OVER NICKEL 30u" MIN.
3	CONTACT SPIRNG	1	PHOSPHOR BRONZE, T=0.3mm	TIN 80u" MIN. OVER NICKEL 30u" MIN.
2	CENTER PIN	1	BRASS	NICKEL PLATING 30u" MIN.
1	HOUSING	1	PBT, UL94V-0	BLACK
ITEM	NAME	QTY	MATERIAL	PLATING & COLOR

GENERAL TOLERANCE X.±0.5 .X±0.3 .XX±0.2 .XXX±	ANGLE TOLERANCE X°±2° .X°±1° .XX°± .XXX°±	DRAWN DANIEL	DATE 03/06/17
MATL SEE BOM		CHECKED	DATE
FINISH SEE NOTES		APPROVED	DATE
SCALE N/A	UNIT mm	SHEET 1 OF 2	

DRAWN DANIEL		DATE 03/06/17	
CHECKED		DATE	
APPROVED		DATE	

genesis
connected solutions

TITLE:
DC POWER JACK

PART NUMBER:
250-10015-01

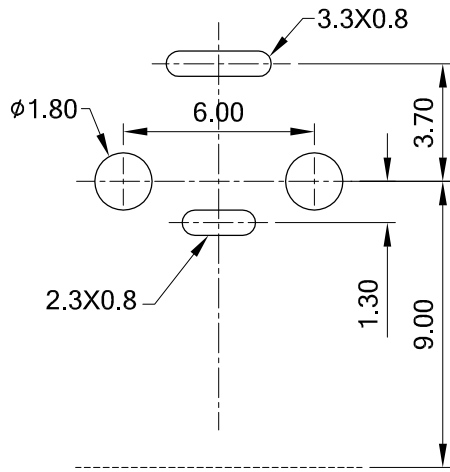
DRAWING NO.
250-10015

SIZE
A4

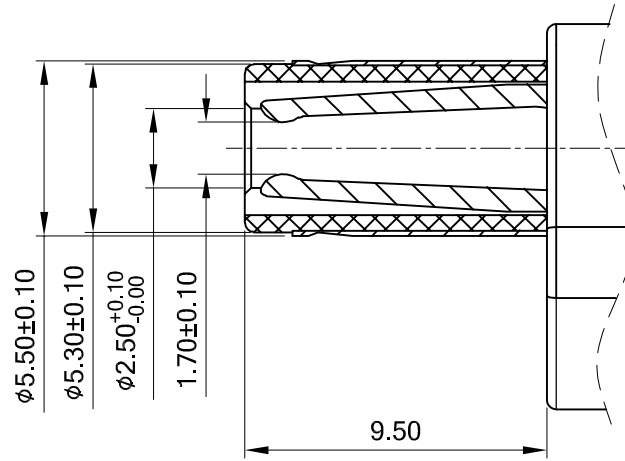
REV.
X1

NOTE

PROPRIETARY INFORMATION
COMPANY CONFIDENTIAL



PCB THICKNESS 1.6mm
TOLERANCE: ± 0.05 mm



RECOMMENDED PLUG

PART NO.	250-10015-01	SHEET	REVISION
DWG NO.	250-10015	2 OF 2	SEE SHEET 1