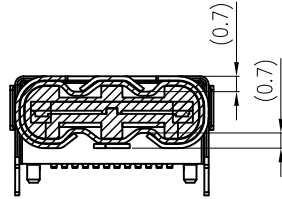
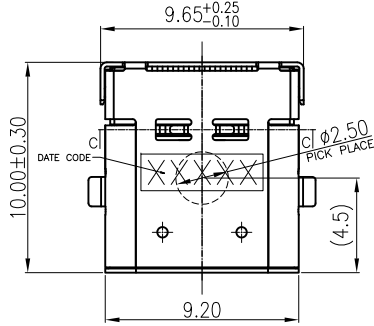


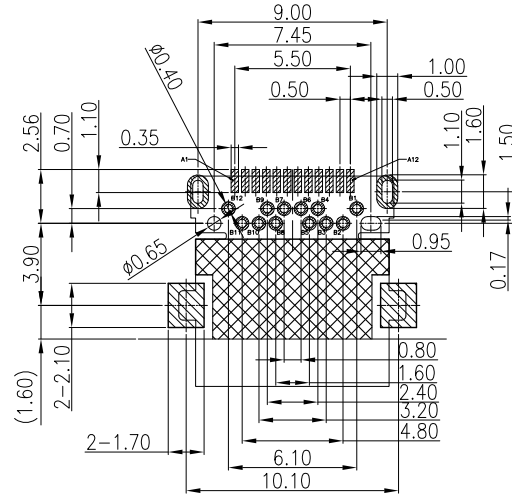
PROPRIETARY INFORMATION  
COMPANY CONFIDENTIAL



REV.	ECN.	NO.	DESCRIPTION	ENG	DATE
X1			INITIAL	Lukc Tao	3/12/19
X2			PACKAGE COLOR CHANGE UPDATE	Lukc Tao	8/20/19

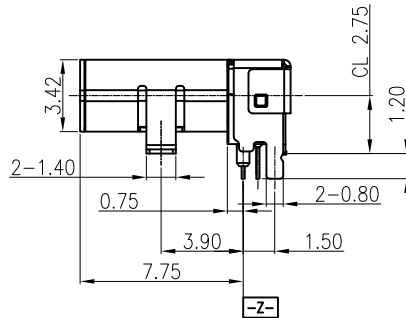
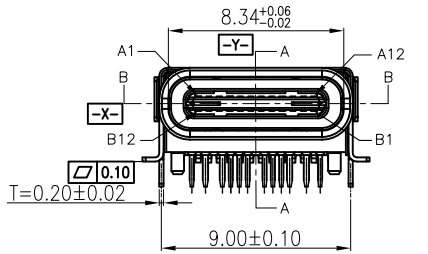


SECTION C-C

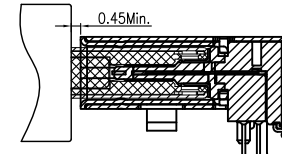


RECOMMEND P.C.B LAYOUT (COMPONENT SIDE)  
TOLERANCE FOR PCB LAYOUT IS ± 0.05

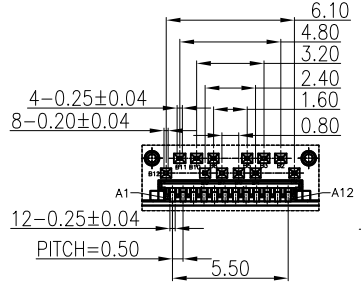
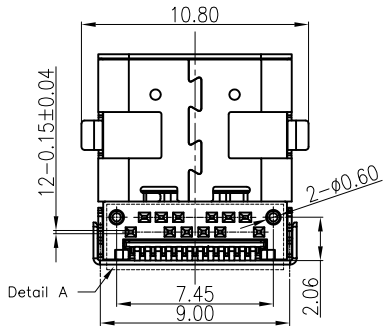
NOTE:  
1. ELECTRICAL CHARACTERISTICS:  
1.1 CONTACT RESISTANCE: 40mΩ Max FOR INITIAL.  
10mΩ CHANGE AFTER TEST. MEASURE AT 20mV, 100mA.  
1.2 CONTACT CURRENT RATING: 5A FOR VBUS PIN;  
1.25A FOR VCONN PIN.  
1.3 DIELECTRIC WITHSTANDING VOLTAGE: 100V AC R.M.S.  
1.4 INSULATION RESISTANCE 100MΩ Min  
1.5 OPERATING TEMPERATURE: -40°C~85°C  
2. MECHANICAL CHARACTERISTICS:  
2.1 MATING FORCE: 5~20 N.  
2.2 UNMATED FORCE: 8~20N AFTER TEST  
2.3 DURABILITY: 10,000 CYCLES  
3. Package: REEL



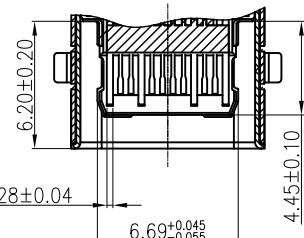
SECTION A-A



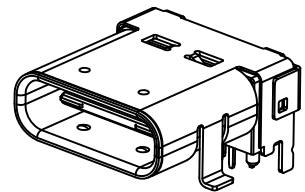
MATING CONDITION



Detail A



SECTION B-B



Pin	Signal Name	Mating Sequence	Pin	Signal Name	Mating Sequence
A1	GND	First	B12	GND	First
A2	SSTXp1	Second	B11	SSRXp1	Second
A3	SSTXn1	Second	B10	SSRXn1	Second
A4	VBUS	First	B9	VBUS	First
A5	CC1	Second	B8	SBU2	Second
A6	Dp1	Second	B7	Dn2	Second
A7	Dn1	Second	B6	Dp2	Second
A8	SBU1	Second	B5	CC2	Second
A9	VBUS	First	B4	VBUS	First
A10	SSRXn2	Second	B3	SSTXn2	Second
A11	SSRXp2	Second	B2	SSTXp2	Second
A12	GND	First	B1	GND	First
SHELL		GND	SHELL		GND

ITEM	NAME	Q'TY	DESCRIPTION	NOTE
6	INNER SHELL	1	SUS Wash	
5	MID SHELL	1	SUS Wash	
4	COVER SHELL	1	Brass NICKEL 40u" PLATING OVERALL	
3	SHELL	1	SUS, NICKEL 40u" PLATING OVERALL	
2	CONTACT	24	Brass NICKEL(50u" MIN.) UNDER PLATING OVERALL TIN(100u" MIN.) PLATING ON SOLDER AREA AU(GOLD FLASH) PLATING ON CONTACT AREA	
1	HOUSING	1	LCP BLACK	UL94V-0

GENERAL TOLERANCE	ANGLE TOLERANCE
X. ±0.50	±2°
.X ±0.30	
.XX ±0.20	
.XXX ±0.10	
MATL	SEE BOM
FINISH	SEE NOTES
SCALE	1:1
UNIT	mm
SHEET	1 OF 2

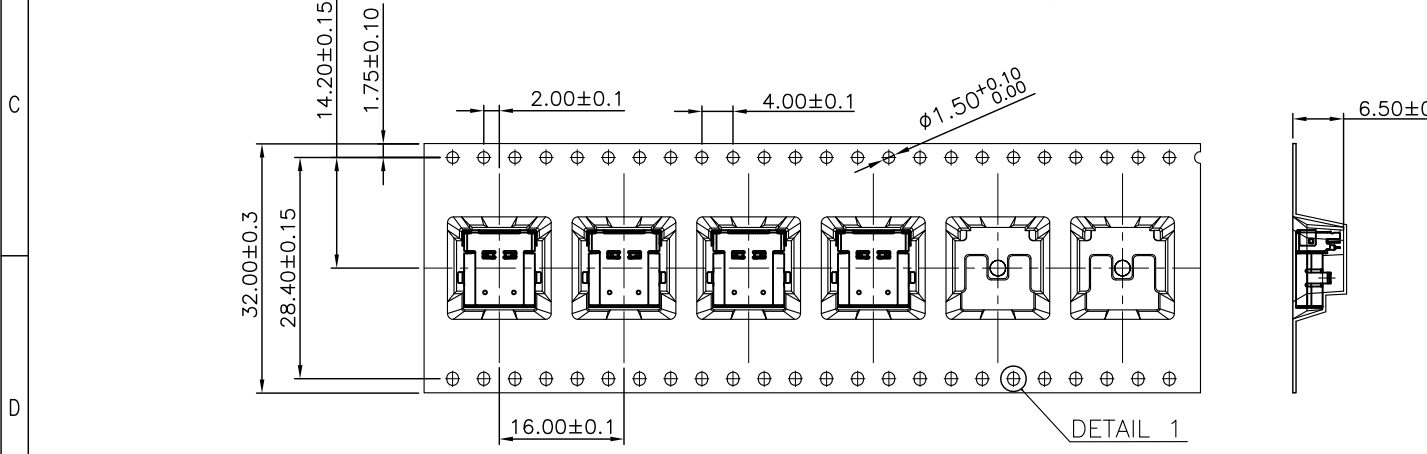
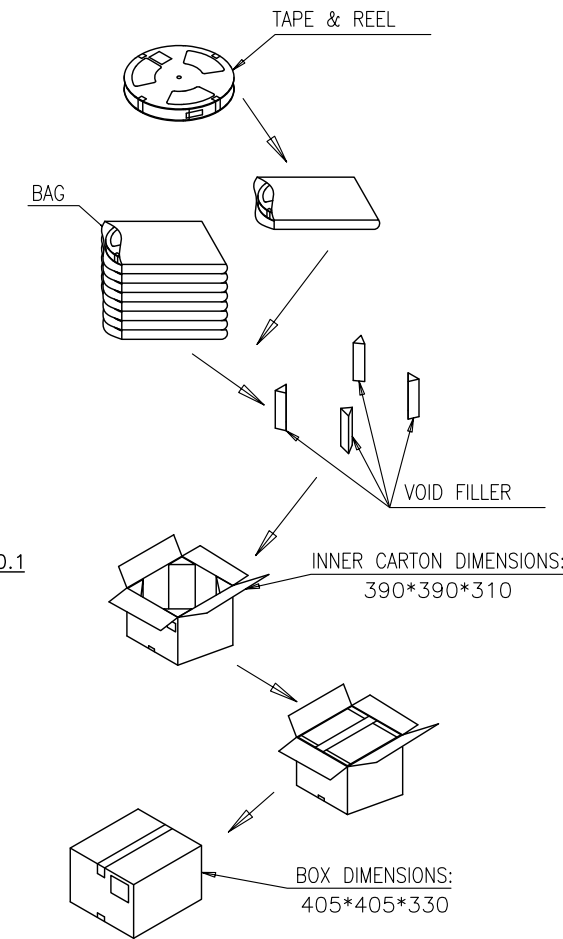
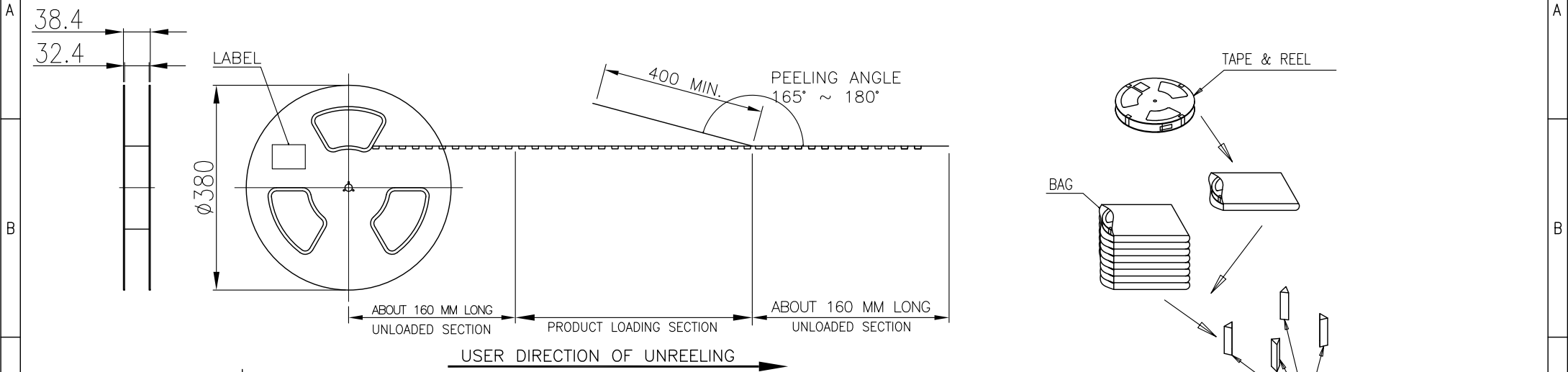
DRAWN	DATE
Lukc Tao	03/12/19
CHECKED	DATE
APPROVED	DATE

TITLE: USB 3.1 TYPE C FEMALE CL2.75 H4.46mm HYBRID TYPE	
PART NUMBER: 210-10144-01	
DRAWING NO. 210-10144	SIZE A4 REV. X2

PROPRIETARY INFORMATION  
COMPANY CONFIDENTIAL



REV.	ECN.	NO.	DESCRIPTION	ENG	DATE
X1			SEE SHEET 1		
X2			CHANGE TAPE COLOR	LUCK	08/12/19'



NOTE:

- 1.MATERIAL:  
BOX: FIBREBOARD, CORRUGATED, DOUBLE WALL.  
TAPE: POLYSTYRENES, HEAT-RESISTANT TEMPERATURE: 120°C, TRANSPARENT COLOR. ☒  
REEL: POLYSTYRENES, HEAT-RESISTANT TEMPERATURE: 70°C, BLUE COLOR.  
BAG: POLYETHYLENE, HEAT-RESISTANT TEMPERATURE: 100°C.

- 2.PEELING STRENGTH: 0.1 ~ 1.3 N (10 ~ 130 GRAMS)
- 3.PEELING SPEED: 300 mm/min.
- 4.EACH BAG SHALL BE INCLUDED DESICCANT.

800	8	6400 PCS	6.50KG	5.47KG
PCS/ REEL	REELS/ CARTON	QUANTITY	GROSS WEIGHT	NET WEIGHT

GENERAL TOLERANCE		ANGLE TOLERANCE		DRAWN	DATE		
				Lukc Tao	3/12/19'		
				MATERIAL		CHECKED	DATE
FINISH		APPROVED		DATE		PART NUMBER: 210-10144-01	
SCALE	N/A	UNIT	mm	DRAWING NO.		210-10144	
SHEET	2 OF 2			DATE		SIZE	A4
						REV.	X2