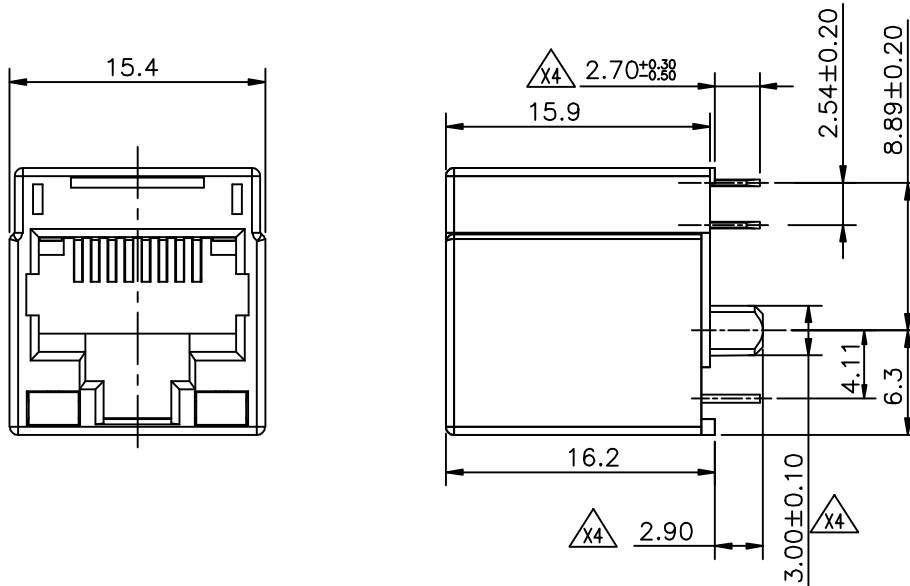


PROPRIETARY INFORMATION
COMPANY CONFIDENTIAL

REV.	ECN. NO.	DESCRIPTION	ENG	DATE
X1			VEGAS	01/18/18'
X2		Change LED Layout	YUAN	03/24/18'
X3		Change LED Layout	YUAN	04/12/18'
X4		change foot	Yuan	04/18/18'
X5		Add IR Reflow SPEC	YIN	05/07/18'
X6		Change LED Number	YIN	05/22/18'
X7		Add LED SPEC	YIN	06/06/18'
X8		update LED brightness spec	YIN	06/21/18'
X9		add color number& package	YUAN	06/29/18'



NOTES:

ELECTRICAL:

- VOLTAGE RATING : 125 VAC.
- CURRENT RATING : 1.5 AMP.
- CONTACT RESISTANCE : 30 MILLIOHMS MAX.
- INSULATION RESISTANCE: 1000 MEGOHMS MIN. @ 500 VDC.
- DIELECTRIC STRENGTH : 1000 VAC 60Hz, 1MIN.

MECHANICAL:

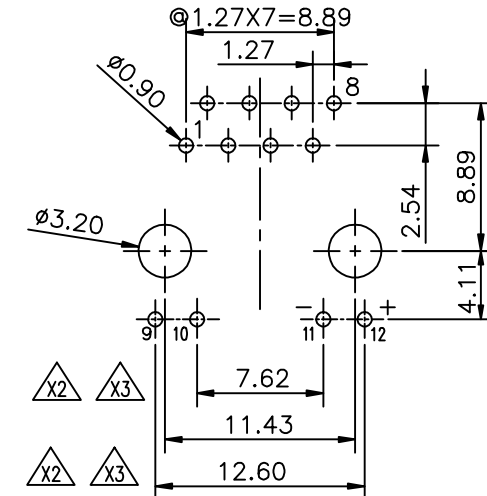
- HOUSING& INSERT MATERIAL : PA9T, YELLOW(114C). UL94V-0.
- CONTACT MATERIAL : PHOSPHOR BRONZE t=0.35mm.
- PLATING : SELECTIVE GOLD PLATE SEE TABLE
- OPERATING LIFE : 750 CYCLES MIN.
- PCB RETENTION PRE-SOLDER : 1 LB MIN.
- PCB RETENTION POST-SOLDER: 10 LBS MIN.

ENVIRONMENTAL:

- STORAGE : -40°C TO +85°C.
- OPERATION: -40°C TO +85°C.

X9

Package: Tray
MATES WITH MODULAR PLUG CONFORMING TO TIA-1096-A.



Green LED	Green	11		12	X6
GN/YE LED	Green	9		10	Yellow

PCB Layout Component Side Shown



200-10122-02	GOLD 30u"
200-10122-01	GOLD 3u"
Part Number	Plating

GENERAL TOLERANCE .X ± 0.25 .XX ± 0.20 .XXX ± 0.10 ANGLE ± 5'	ANGLE TOLERANCE X ± 2' .X ± 2' .XX ± .XXX ±	DRAWN Yuan	DATE 03/24/18'	 TITLE RJ45 TOP ENTRY LED JACK UTP
MATL SEE BOM	FINISH SEE BOM	CHECKED	DATE	
SCALE N/A	UNIT mm	APPROVED	DATE	DRAWING NO. 200-10122
SHEET 1 OF 2				SIZE A4 REV. X9

PROPRIETARY INFORMATION
COMPANY CONFIDENTIAL

X7 Two color LED

LED Specification			
Color	Forward Voltage (V)	Wavelength (nm)	Luminous (mcd)
GREEN	2.1±0.3	569±5	0.5~3
YELLOW	2.1±0.3	588±6	0.5~3

*With a forward current of 10mA

X8 **X7** Single color LED

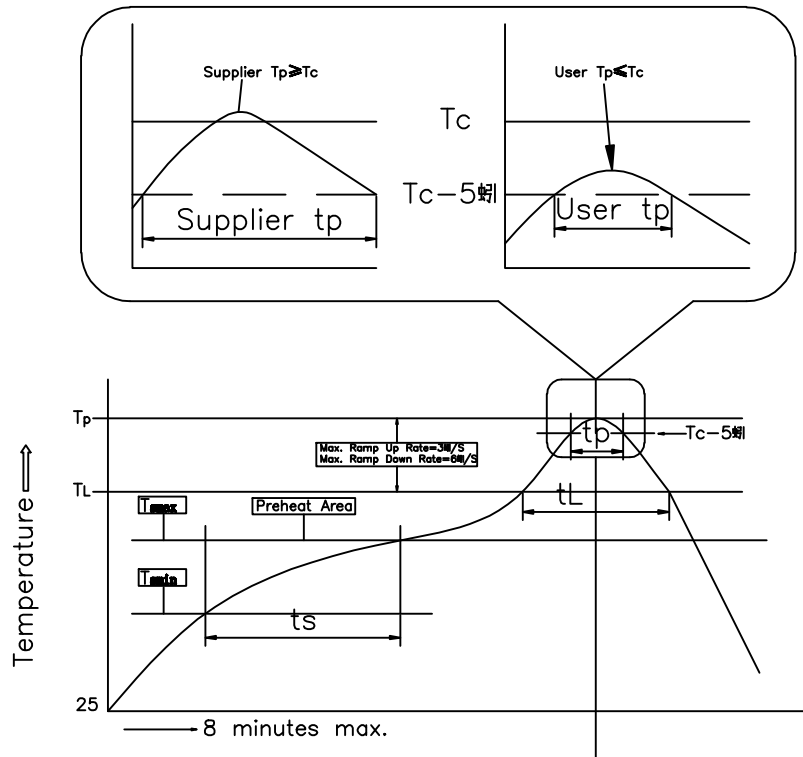
LED Specification		
Forward Voltage (V)	Wavelength (nm)	Luminous (mcd)
2.1±0.3	569±5	0.5~3

*With a forward current of 10mA

REV.	ECN. NO.	DESCRIPTION	ENG	DATE
X1			VEGAS	01/18/18
X2		Change LED Layout	YUAN	03/24/18
X3		Change LED Layout	YUAN	04/12/18
X4		change foot	Yuan	04/18/18
X5		Add IR Reflow SPEC	YIN	05/07/18
X6		Change LED Number	YIN	05/22/18
X7		Add LED SPEC	YIN	06/06/18
X8		update LED brightness spec	YIN	06/21/18
X9		add color number& package	YUAN	06/29/18

X5 Reflow Soldering Conditions:

Profile Feature	Pb-Free Assembly
Preheat & Soak Temperature min (T_{min}) Temperature max (T_{max}) Time (T_{min} to T_{max}) (t_s)	150°C 200°C 60-120 seconds
Average ramp-up (T_{max} to T_p)	3°C/seconds max.
Liquidous temperature (T_L) Time at liquidous (t_L)	217°C 60~150 seconds
Peak packing body temperature (T_p)*	260 ±5°C
Time(t_p)** within 5°C of the specified classification temperature(T_c)	30** seconds
Average ramp-down rate (T_p to T_{min})	6°C/seconds max.
Time 25°C to peak temperature	8 minutes max.



GENERAL TOLERANCE .X ± 0.25 .XX ± 0.20 .XXX ± 0.10 ANGLE ± 5'	ANGLE TOLERANCE X ± 2' .X ± 2' .XX ± .XXX ±	DRAWN Yuan	DATE 03/24/18		TITLE RJ45 TOP ENTRY LED JACK UTP
MATL SEE BOM	FINISH SEE BOM	CHECKED	DATE		PART NUMBER 200-10122-01
SCALE N/A	UNIT mm	APPROVED	DATE	DRAWING NO. 200-10122	SIZE A4
SHEET 2 OF 2					REV. X9