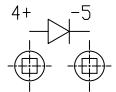
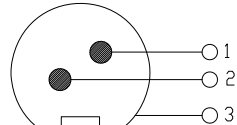


PROPRIETARY INFORMATION
COMPANY CONFIDENTIAL

LED Polarity



Single color LED

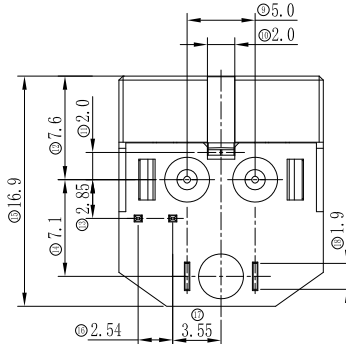
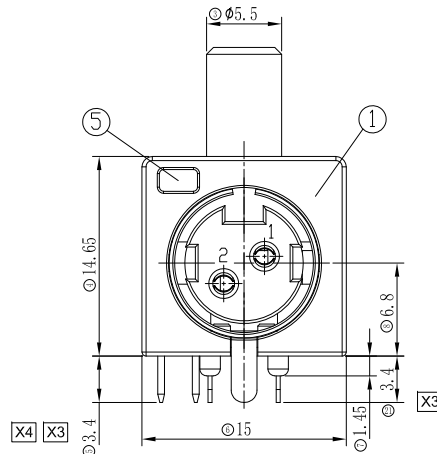
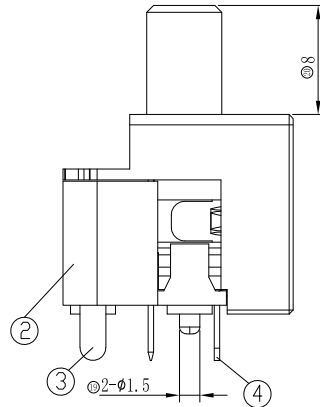
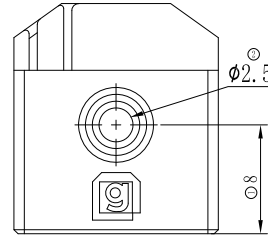


SCHEMATIC

LED Specification

FORWARD V(MAX)	*(TYP)	WAVELENGTH	LUMINOUS INTENSITY
3.6V	3.2V	522±5nm	55±35mcd

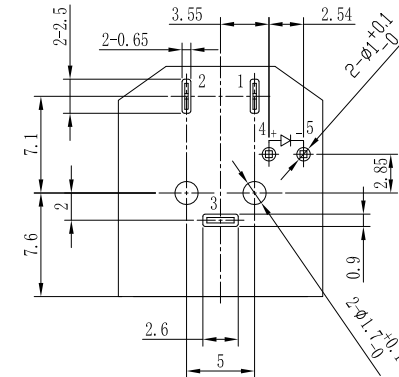
*With a forward current of 15mA(TYP)



REV.	ECN. NO.	DESCRIPTION	ENG	DATE
X1		INITIAL	Peter	7/15/2019
X2		Update pin number problem	Peter	7/19/2019
X3		UPDATE DIM	Peter	01/09/2020
X4		UPDATE DIM	Peter	01/13/2020

NOTES:

- 1.RATING: PIN 1&2:DC20V 7.5A Max.
- 2.CONTACT RESISTANCE:30m ohms Max.
- 3.INSULATION RESISTANCE:DC250V 50M ohms Min.
- 4.VOLTAGE WITHSTANDING:AC250V 1Minute.
- 5.INSERTION FORCE:4.5kgf Max.
WITHDRAWAL FORCE:1.0kgf Min.
- 6.OPERATING TEMP: -25°C TO +95°C
- 7.MOUNTING SCREW HOLE IS SIZED FOR PLASTITE NO.4 SCREW, MOUNTING TORQUE IS 40-51 N-cm.
- 8.SOLDER TEMPERATURE:230±5°,DURATION:5±1 SEC



Recommended P. C. B Layout

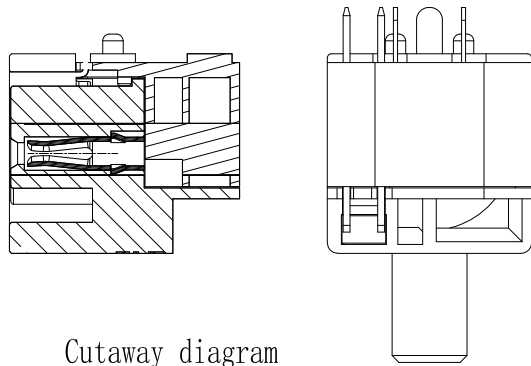
Bottom View

P. C. B Tolerances: ±0.05mm

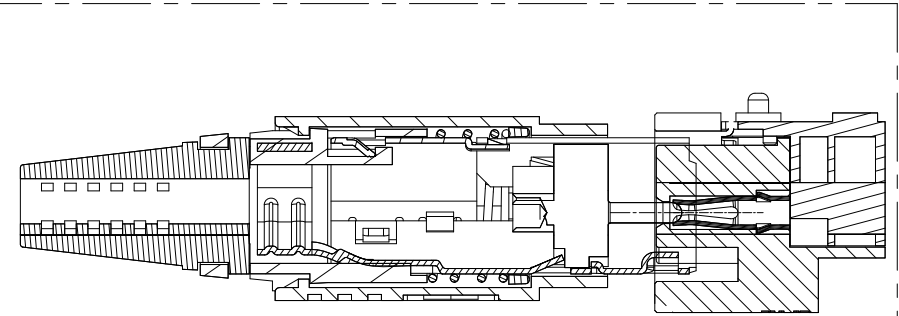
5	LED	1	GREEN LIGHT COLOR, Ag 10u" Plating	
4	GROUND	1	BRASS, Tin 100u" Plating, T=0.40	
3	PIN	2	PHOSPHOR BRONZE, Tin 100u" Plating, T=0.30	
2	COVER	1	PBT+15%G. F, COLOR BLACK	UL94V-0
1	BODY	1	PBT+15%G. F, COLOR BLACK	UL94V-0
ITEM	NAME	Q'TY	DESCRIPTION	NOTE

GENERAL TOLERANCE X.±0.50 .X±0.40 .XX±0.30 .XXX±0.20	ANGLE TOLERANCE X°±5.0° .X°±3.0° .XX°±2.0° .XXX°±1.0°	DRAWN Peter	DATE 07/19/19'	<p>TITLE: 2PIN POWER DIN WITH TOP SCREW BOSS AND LED</p> <p>PART NUMBER: 173-10029-01</p> <p>DRAWING NO. 173-10029</p> <p>SIZE A4 REV. X4</p>
MATL SEE BOM	FINISH SEE NOTES	CHECKED	DATE	
SCALE N/A	UNIT mm	APPROVED	DATE	
SHEET 1 OF 2				

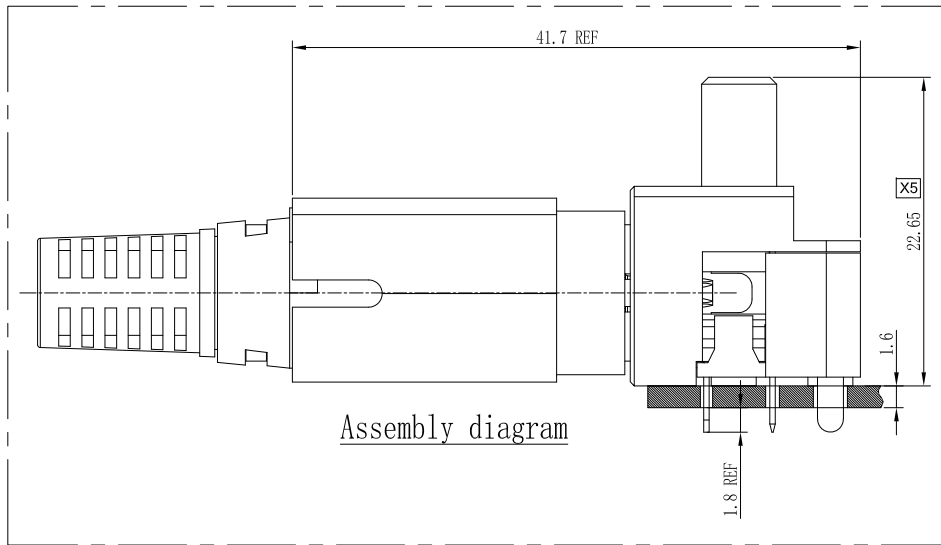
PROPRIETARY INFORMATION
COMPANY CONFIDENTIAL



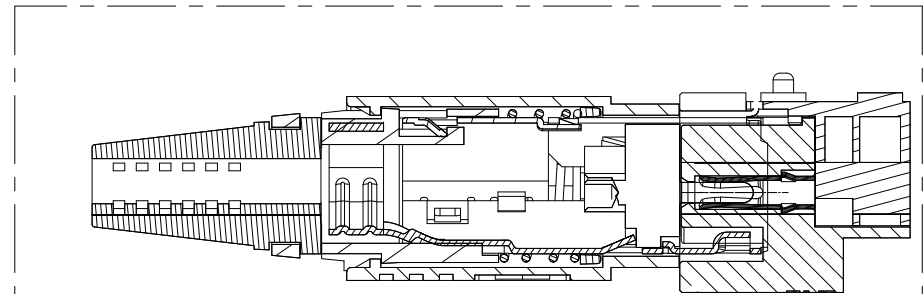
Cutaway diagram




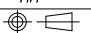
Before the assembly diagram



Assembly diagram



After the assembly diagram

GENERAL TOLERANCE X.± 0.50 .X± 0.40 .XX± 0.30 .XXX± 0.20		ANGLE TOLERANCE X°±5.0° .X°±3.0° .XX°±2.0° .XXX°±1.0°		DRAWN Peter	DATE 07/19/19'	 TITLE: 2PIN POWER DIN WITH TOP SCREW BOSS AND LED
MATL SEE BOM		FINISH SEE NOTES		CHECKED	DATE	
SCALE N/A		UNIT mm		APPROVED	DATE	DRAWING NO. 173-10029
SHEET 2 OF 2						SIZE A4 REV. X4