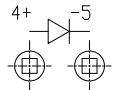
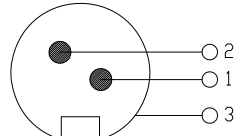


PROPRIETARY INFORMATION
COMPANY CONFIDENTIAL

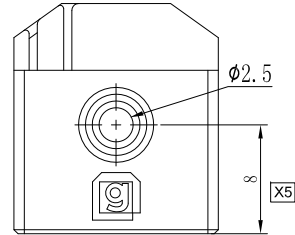
LED Polarity



Single color LED

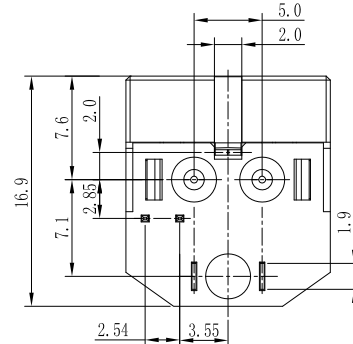
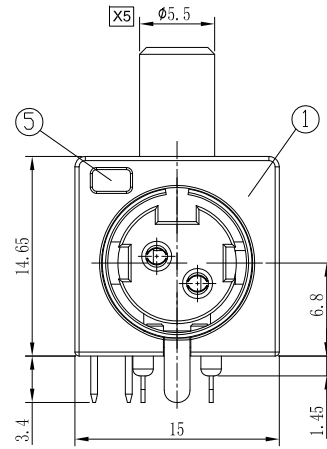
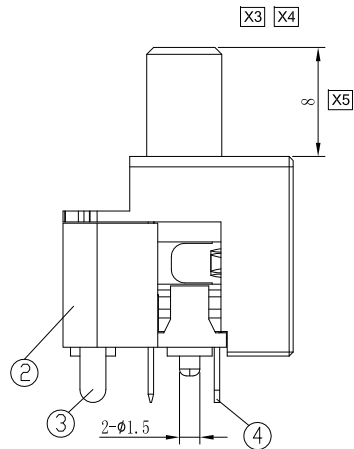


SCHEMATIC



LED Specification [X6]			
FORWARD V(MAX)	*(TYP)	WAVELENGTH	LUMINOUS INTENSITY
3.6V	3.2V	522±5nm	55±35mcd

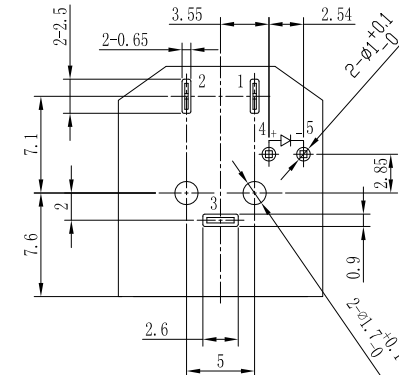
*With a forward current of 15mA(TYP)



REV.	ECN. NO.	DESCRIPTION	ENG	DATE
X1		INITIAL	Yin	7/13/2018
X2		Change the direction of the screw hole	Yin	7/24/2018
X3		Change the direction of the screw hole	Yin	9/17/2018
X4		Cancel the stairs	Yin	10/12/2018
X5		Change the direction of the screw hole	Yin	11/09/2018
X6		Change LED Spec	Yin	03/11/2019
X7		Change TEMP	Yin	03/29/2019

NOTES:

- RATING: PIN 1&2:DC20V 7.5A Max.
- CONTACT RESISTANCE:30m ohms Max.
- INSULATION RESISTANCE:DC250V 50M ohms Min.
- VOLTAGE WITHSTANDING:AC250V 1Minute.
- INSERTION FORCE:4.5kgf Max.
WITHDRAWAL FORCE:1.0kgf Min.
- OPERATING TEMP: -25°C TO +95°C
- MOUNTING SCREW HOLE IS SIZED FOR PLASTITE NO.4 SCREW, MOUNTING TORQUE IS 40-51 N-cm.
- SOLDER TEMPERATURE:230±5°,DURATION:5±1 SEC



Recommended P.C.B Layout

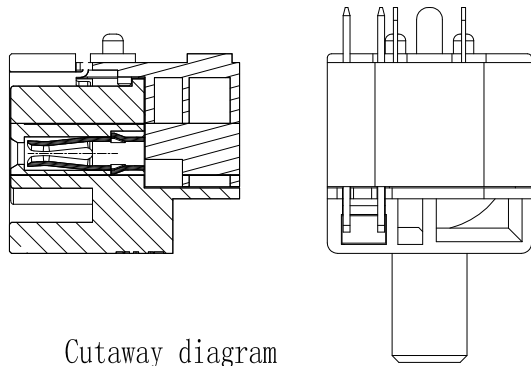
Bottom View

P.C.B Tolerances: ±0.05mm

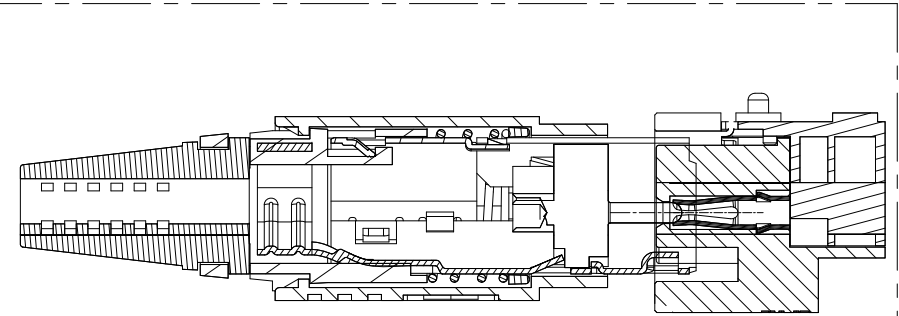
5	LED	1	GREEN LIGHT COLOR, Ag 10u" Plating	
4	GROUND	1	BRASS, Tin 100u" Plating, T=0.40	
3	PIN	2	PHOSPHOR BRONZE, Tin 100u" Plating, T=0.30	
2	COVER	1	PBT+15%G. F, COLOR BLACK	UL94V-0
1	BODY	1	PBT+15%G. F, COLOR BLACK	UL94V-0
ITEM	NAME	Q'TY	DESCRIPTION	NOTE

GENERAL TOLERANCE X.± 0.50 .X± 0.40 .XX± 0.30 .XXX± 0.20	ANGLE TOLERANCE X°±5.0° .X°±3.0° .XX°±2.0° .XXX°±1.0°	DRAWN Yin	DATE 07/13/18'	<p>TITLE: 2PIN POWER DIN WITH TOP SCREW BOSS AND LED</p> <p>PART NUMBER: 173-10028-01</p> <p>DRAWING NO. 173-10028</p> <p>SIZE A4 REV. X7</p>
MATL SEE BOM	FINISH SEE NOTES	CHECKED	DATE	
SCALE N/A	UNIT mm	APPROVED	DATE	
SHEET 1 OF 2				

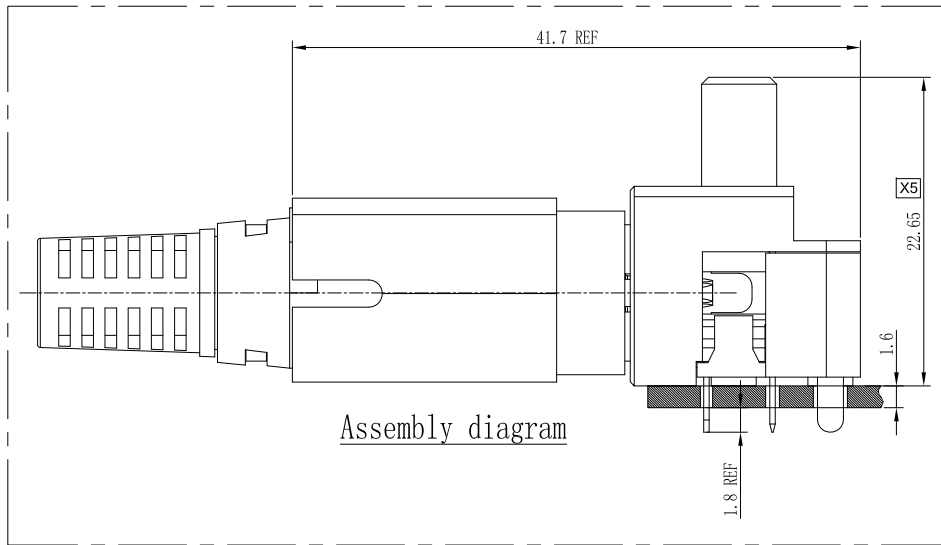
PROPRIETARY INFORMATION
COMPANY CONFIDENTIAL



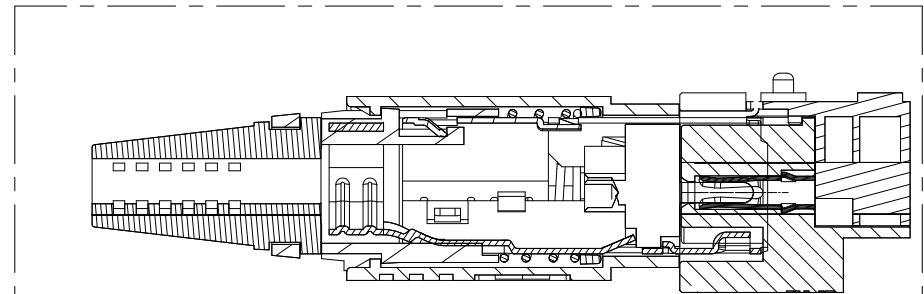
Cutaway diagram



Before the assembly diagram



Assembly diagram



After the assembly diagram

GENERAL TOLERANCE X.± 0.50 .X± 0.40 .XX± 0.30 .XXX± 0.20	ANGLE TOLERANCE X°±5.0° .X°±3.0° .XX°±2.0° .XXX°±1.0°	DRAWN Yin	DATE 07/13/18'		
MATL SEE BOM	FINISH SEE NOTES	CHECKED	DATE		TITLE 2PIN POWER DIN WITH TOP SCREW BOSS AND LED
SCALE N/A	UNIT mm	APPROVED	DATE	PART NUMBER 173-10028-01	
SHEET 2 OF 2				DRAWING NO. 173-10028	SIZE A4 REV. X7