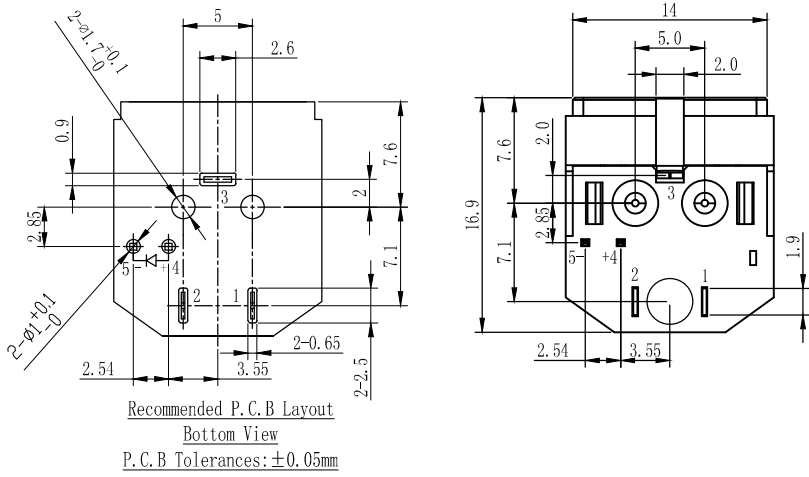
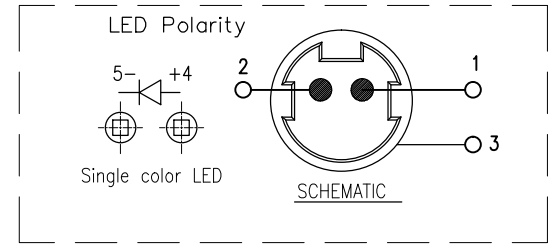
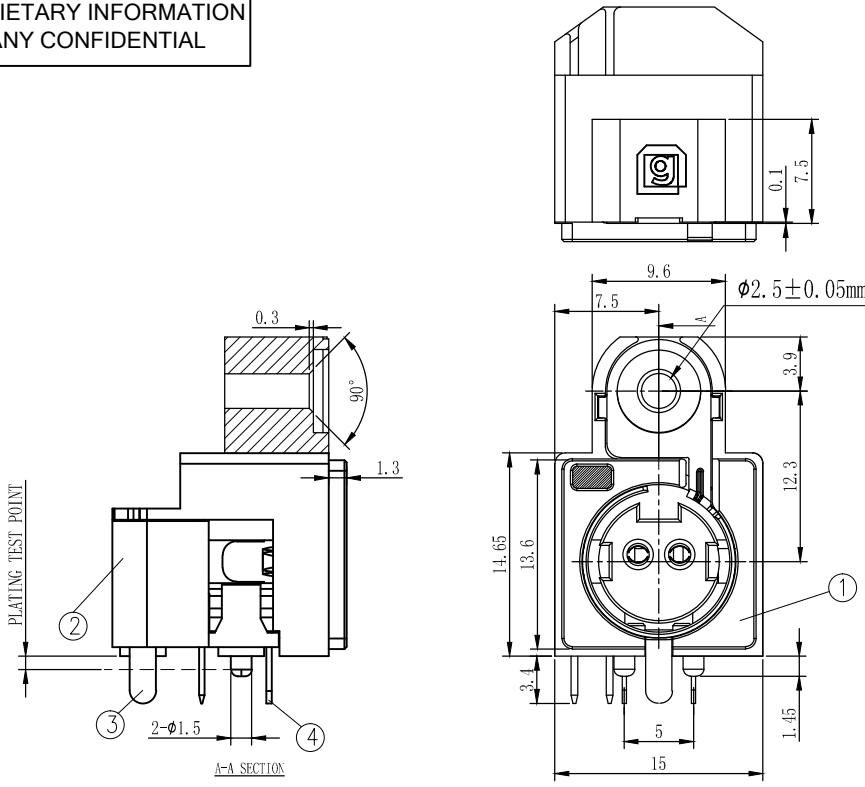


PROPRIETARY INFORMATION
COMPANY CONFIDENTIAL

REV.	ECN. NO.	DESCRIPTION	ENG	DATE
A		INITIAL	Lucky	10/26/16'
B		Add nickel layer SPEC	Ethan	02/07/17'

NOTES:

- 1.RATING:PIN 1&2: DC40V 7.5A Max.
- 2.CONTACT RESISTANCE:30m ohms Max.
- 3.INSULATION RESISTANCE:DC250V 50M ohms Min.
- 4.VOLTAGE WITHSTANDING:AC250V 1Minute.
- 5.INSERTION FORCE:4.5kgf Max.
WITHDRAWAL FORCE:1.0kgf Min.
- 6.OPERATING TEMP: -25°C TO +100°C
- 7.MOUNTING SCREW HOLE IS SIZED FOR #4-24 THREAD FORMING SCREW, MOUNTING TORQUE IS 40-51 N-cm.
- 8.SOLDER TEMPERATURE:230±5°C,DURATION:5±1 SEC



LED CHARACTERISTIC

ITEMS	RATING
POWER DISSIPATION	120mW MAX.
FORWARD CURRENT(DC)	20mA MAX.
FORWARD VOLTAGE(V)	3.1V ± 0.5V
PEAK FORWARD CURRENT	100mA MAX.
REVERSE VOLTAGE	5V MAX.
DOMINANT WAVELENGTH(nm)	522±5nm TYP.
LUMINOUS INTENSITY(mcd)	55 mcd ± 35 mcd
OPERATION TEMPERATURE	-40°C TO +95°C
STORAGE TEMPERATURE	-40°C TO +100°C

ITEM	NAME	Q'TY	DESCRIPTION	NOTE
5	LED	1	GREEN LIGHT COLOR,	
4	GROUND	1	BRASS,NICKEL 50u"MIN UNDER PLATING OVERALL;TIN 100u"MIN PLATING OVERALL;T=0.40	A
3	PIN	2	PHOSPHOR BRONZE,NICKEL 50u"MIN UNDER PLATING OVERALL;TIN 100u"MIN PLATING OVERALL;T=30mm	A
2	COVER	1	PBT+15%G.F, COLOR BLACK	UL94V-0
1	BODY	1	PBT+15%G.F, COLOR BLACK	UL94V-0

GENERAL TOLERANCE	ANGLE TOLERANCE	DRAWN	DATE	
X.±0.50	X°±5.0°	Ethan	2/7/17"	
.X±0.40	.X°±3.0°	CHECKED	DATE	
.XX±0.30	.XX°±2.0°	Lucky	2/7/17"	
.XXX±0.20	.XXX°±1.0°	APPROVED	DATE	
MATL	SEE BOM	Lucky	2/7/17"	TITLE: HG1 Lite 2PIN POWER DIN WITH SCREW BOSS ON TOP AND LED
FINISH	SEE NOTES			PART NUMBER: 173-10016-01
SCALE	N/A			DRAWING NO. 173-10016
SHEET	1 OF 1			SIZE A4 REV. B