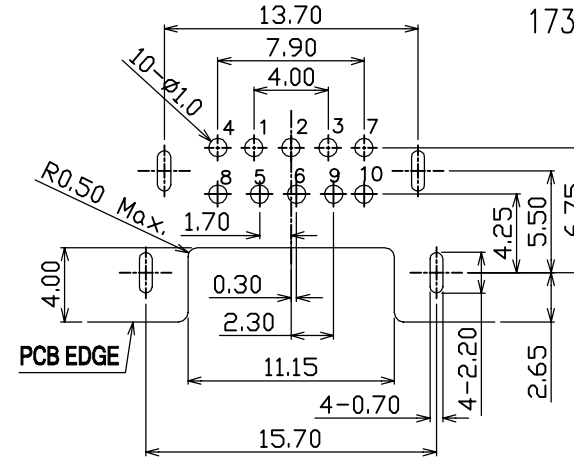
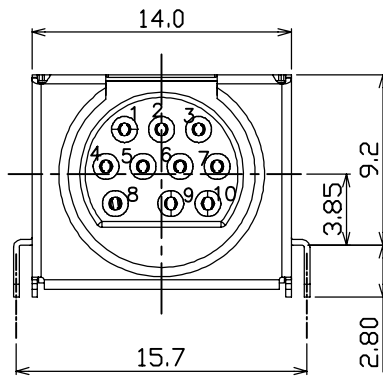
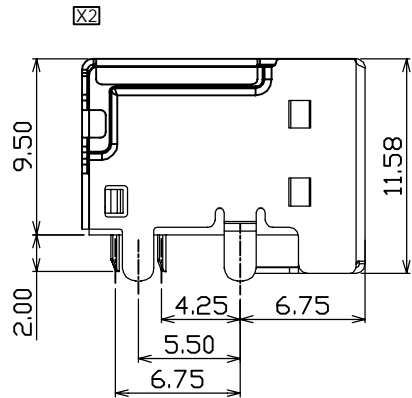
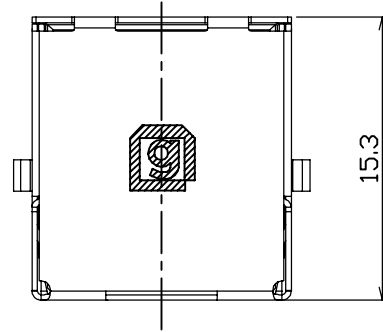


PROPRIETARY INFORMATION
COMPANY CONFIDENTIAL

REV	ECN. NO.	DESCRIPTION	ENG	DATE
X1		INITIAL	TERRY	08/16'16
X2		REVISED SHIELD	MIKE	03/29'17



PART. NUMBER

173-10014-XX

01: 15u" GOLD
02: 30u" GOLD

NOTES:

- CURRENT RATING: 2A MAX.
- CONTACT RESISTANCE: 30mΩ MAX.
- INSULATION RESISTANCE: 100MΩ MIN. AT 250V DC
- DIELECTRIC WITHSTANDING VOLTAGE: 250V AC / 1 MINUTE
- MECHANICAL CHARACTERISTICS:
INSERTION FORCE: 4.5kgf MAX.
WITHDRAWAL FORCE: 3.5kgf MAX.
LOCK FORCE: 5.0kgf MIN
- OPERATING TEMPERATURE: -25°C TO +95°C
- RoHS 6/6 COMPLIANT

ITEM	NAME	Q'TY	DESCRIPTION
4	SPACER	1	PBT+15%GF,UL 94V-0,BLACK.
3	SHELL	1	STAINLESS STEEL,T=0.3mm; PLATED 80u" Sn, UNDER PLATED NICKEL 30u"
2	TERMINAL	10	PHOSPHOR BRONZE,T=0.2mm; GOLD PLATED ON CONTACT AREA; Sn 80u" PLATED ON SOLDER TAILS; UNDER PLATED NICKEL 30u".
1	HOUSING	1	PBT+15%GF,UL 94V-0,BLACK.

GENERAL TOLERANCE X.± .X± 0.40 .XX± 0.30 .XXX±	ANGLE TOLERANCE X°± 5.0° .X°± .XX°± .XXX°±	DRAWN TERRY	DATE 08/18'16	
MATL. SEE BOM	FINISH SEE NOTES	DESIGN TERRY	DATE 08/18'16	
SCALE N/A	UNIT mm	CHECKED TERRY	DATE 08/18'16	PART NUMBER. 173-10014-XX
SHEET 1 OF 1		APPROVED DANIEL	DATE 08/18'16	DRAWING NO. 173-10014
				SIZE A4 REV. X2