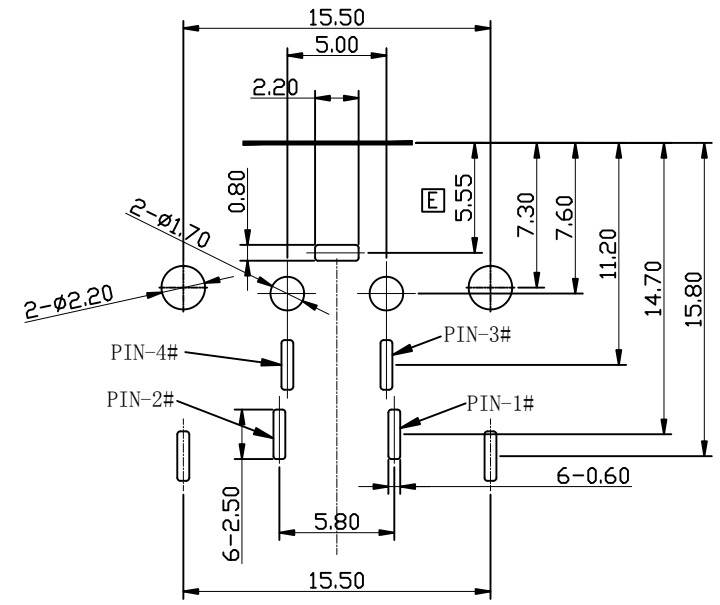
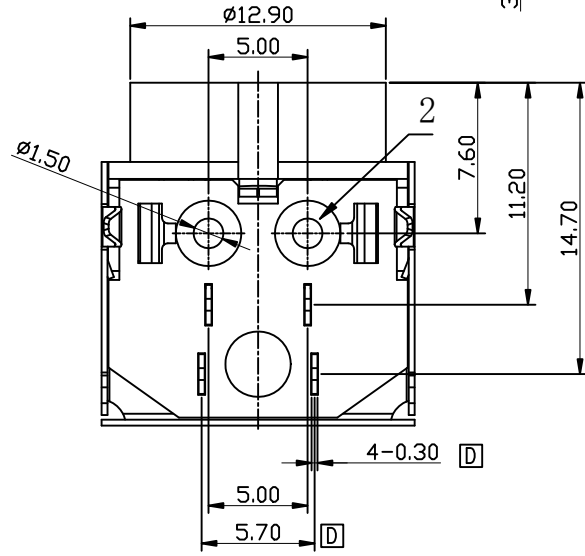
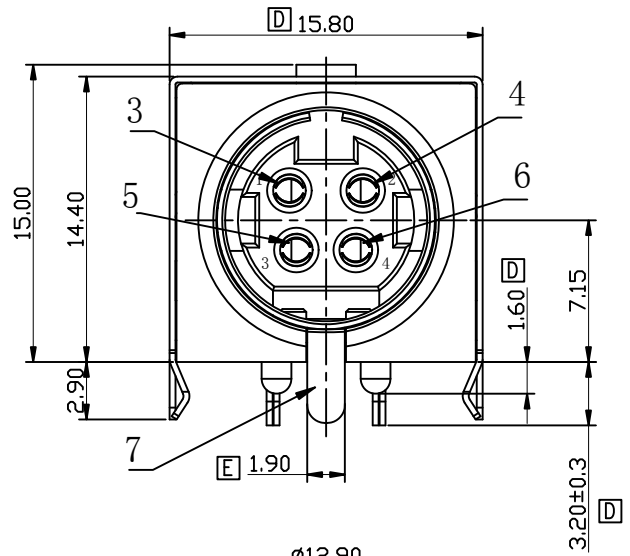
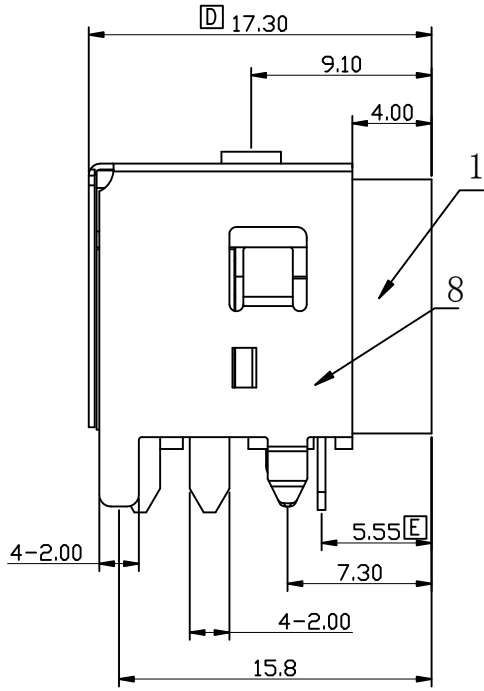


PROPRIETARY INFORMATION  
COMPANY CONFIDENTIAL

REV.	ECN. NO.	DESCRIPTION	ENG	DATE
A		INITIAL	Sun	12/11/15'
B		EDITED NOTES 1, WAS 20V AND PCB LAYOUT TOLERANCE	AXL	12/17/15'
C		EDITED PCB LAYOUT, ADD TOP VIEW	Sun	12/22/15'
D		UPDATED DIMENSION	Sun	12/23/15'
E		FIXED DIMENSION	Sun	4/27/16'

NOTES

- 1. RATING: DC 35V 7.5A MAX
- 2. CONTACT RESISTANCE: 30 MILIOHMS MAX
- 3. INSULATION RESISTANCE: DC 250V 50MOHM MIN
- 4. WITHSTANDING VOLTAGE: AC 250V/1MINUTE
- 5. INSERTION FORCE: 4.5Kgf MAX
- 6. WITHDRAWAL FORCE: 1.0Kgf~4.5Kgf MIN



RECOMMENDED PCB LAYOUT  
TOP VIEW, TOLERANCE: ±0.05mm

ITEM	NAME	Q'TY	DESCRIPTION	NOTE
8	SHELL	1	SPCC, PLATING 80u" NICKEL OVERALL	
7	GROUND RING	1	BRASS, PLATING 80u" TIN OVER 80u" NICKEL UNDER PLATING OVERALL	
3~6	TERMINAL	4	PHOSPHOR BRONZE, PLATING 80u" TIN OVER 80u" NICKEL UNDER PLATING OVERALL	
2	COVER	1	PBT+15%GF, COLOR BLACK	UL94-V0
1	HOUSING	1	PBT+15%GF, COLOR BLACK	UL94-V0

GENERAL TOLERANCE	ANGLE TOLERANCE	DRAWN	DATE
X.±0.50	X°±	Sun	4/27/16'
.X±0.38	.X°±	CHECKED	DATE
.XX±0.25	.XX°±	APPROVED	DATE
.XXX±0.15	.XXX°±		
MATL	SEE BOM		
FINISH	SEE NOTES		
SCALE	N/A		
SHEET	1 OF 1		

TITLE	4PIN MINI DIN POWER JACK WITH SHELL
PART NUMBER	173-10002-01
DRAWING NO.	173-10002
SIZE	A4
REV.	E

